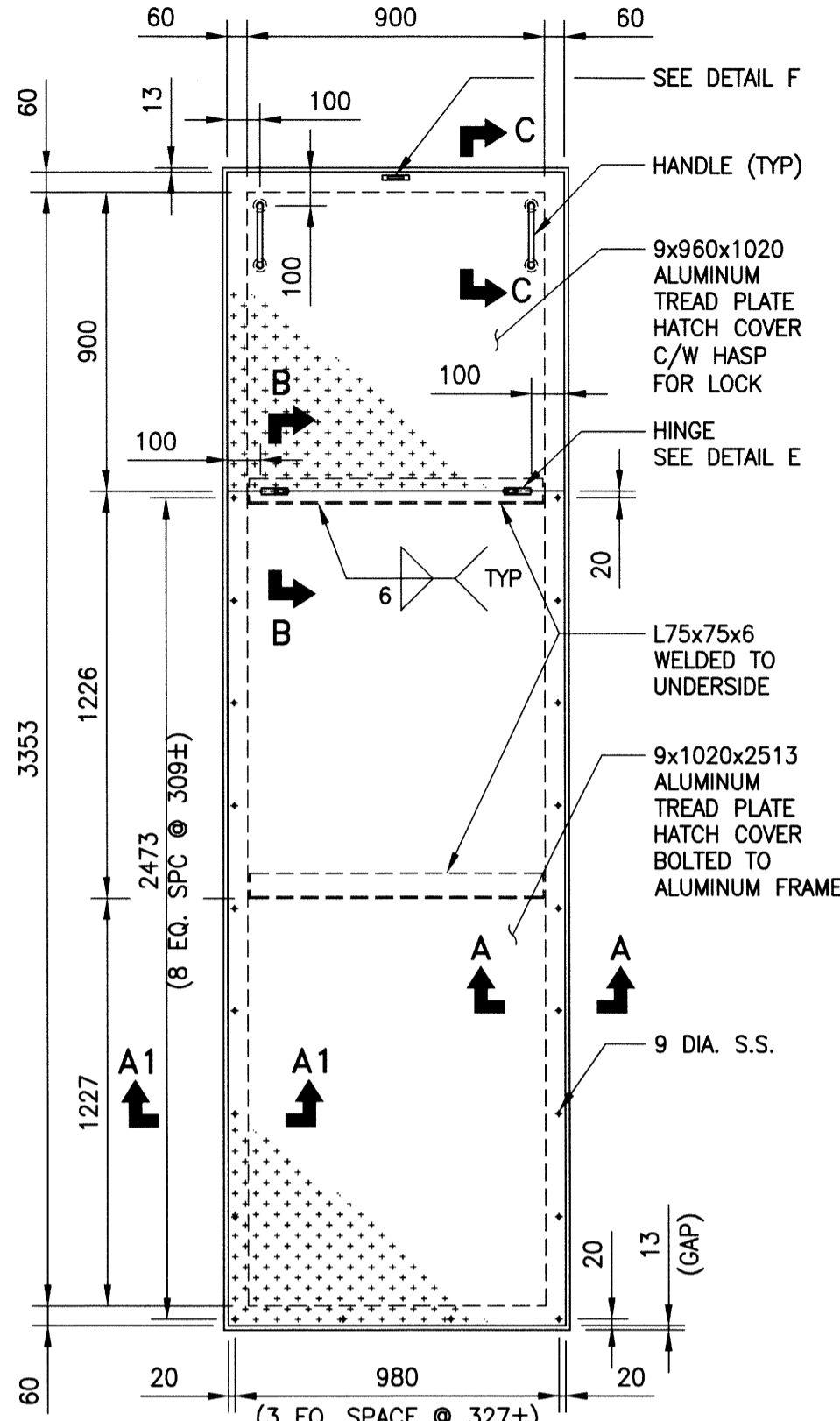
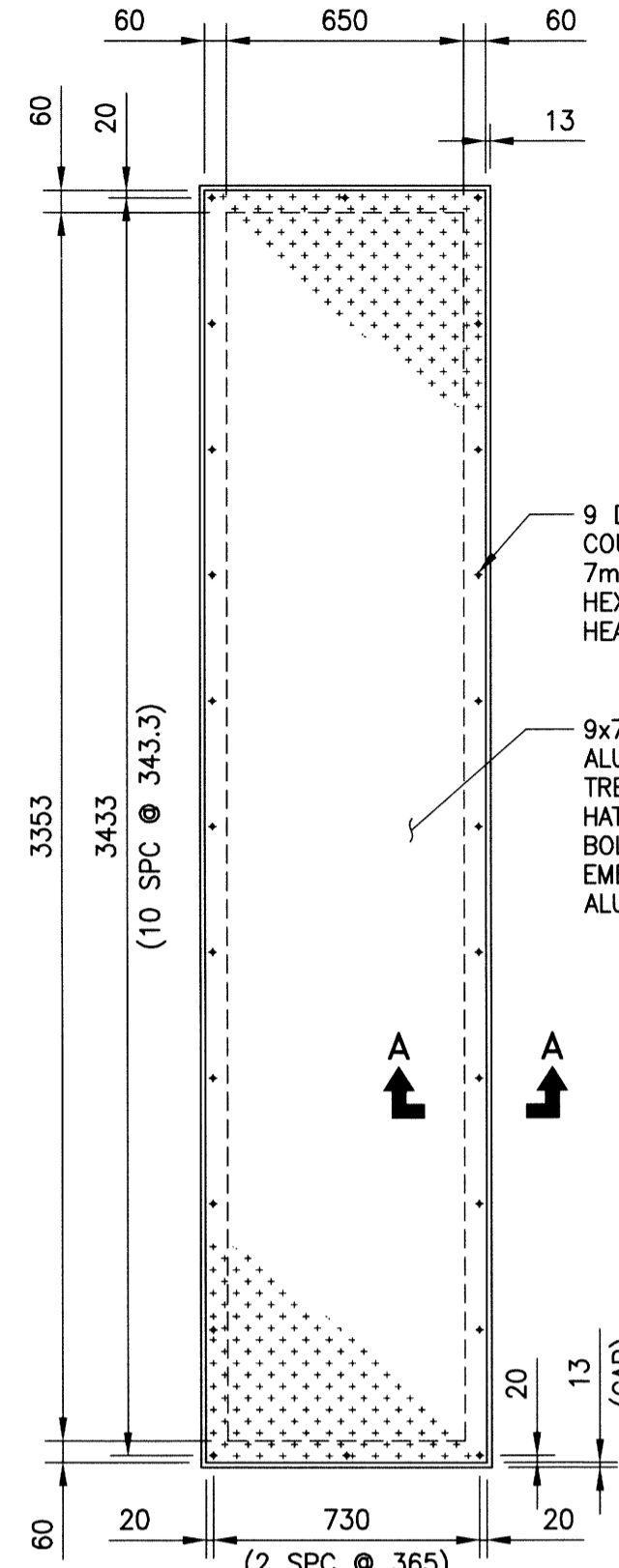


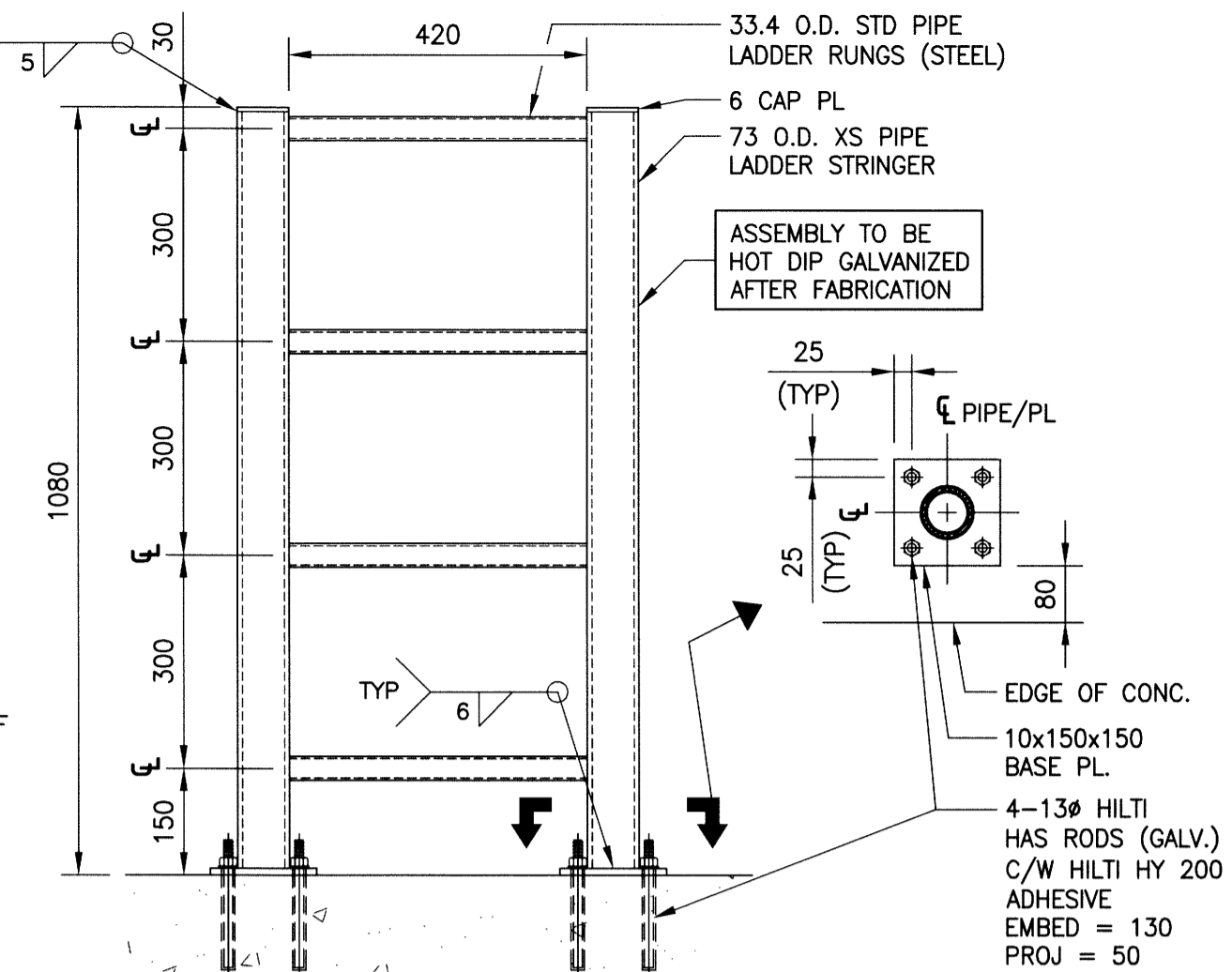
CW-9-M564-1
 File Name: P:\Projects\2015\15-0107-011\Dwg\Struct\15-0107-011_S05.dwg - Tab: S05 Plotted By: dderoché 10/02/2015 [Fri 9:27am]



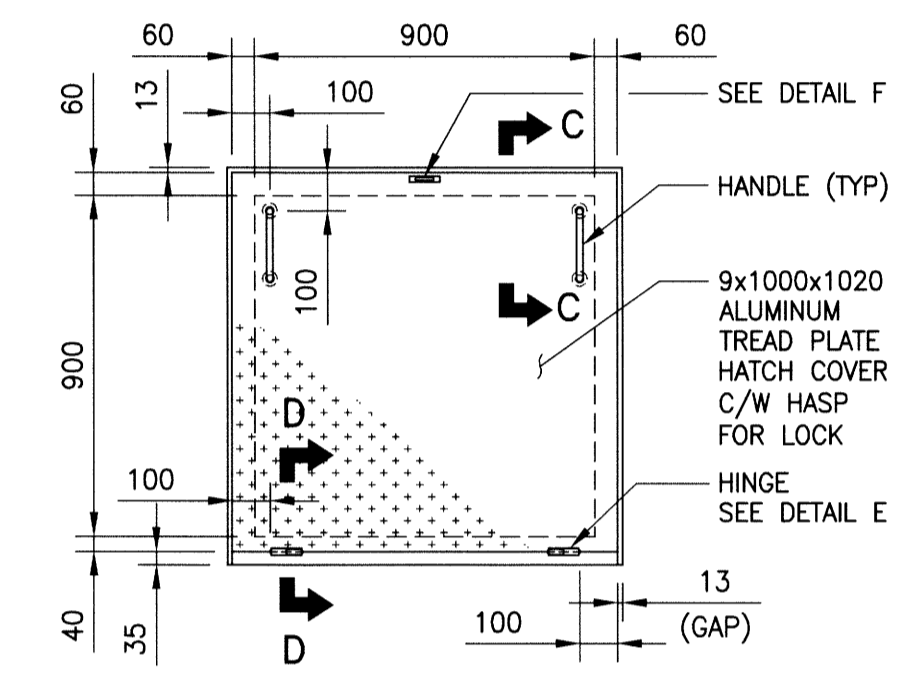
3
S02
SLIDE GATE ACCESS HATCH
SCALE: 1:20



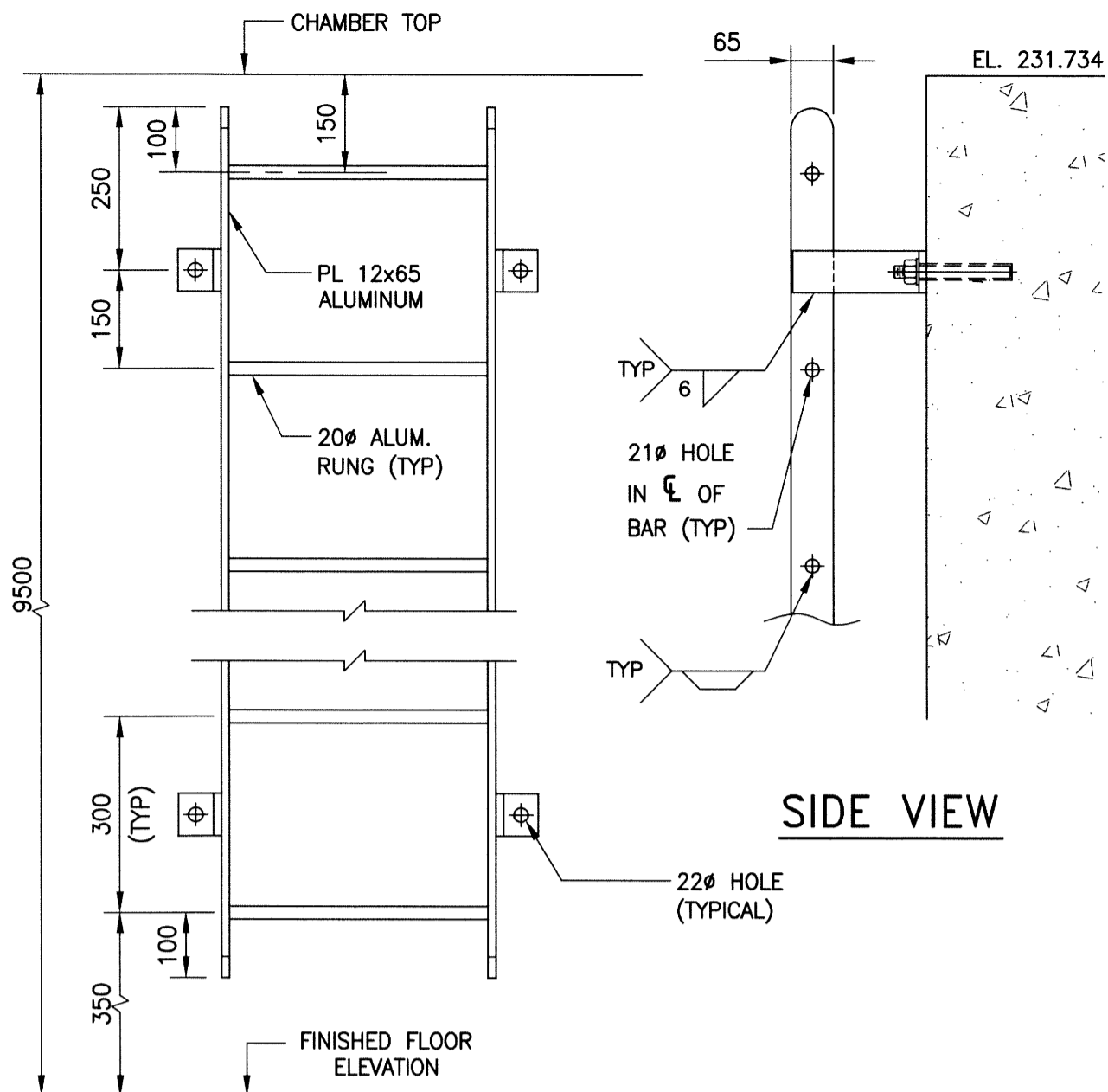
4
S02
FLAP GATE FIXED HATCH
SCALE: 1:20



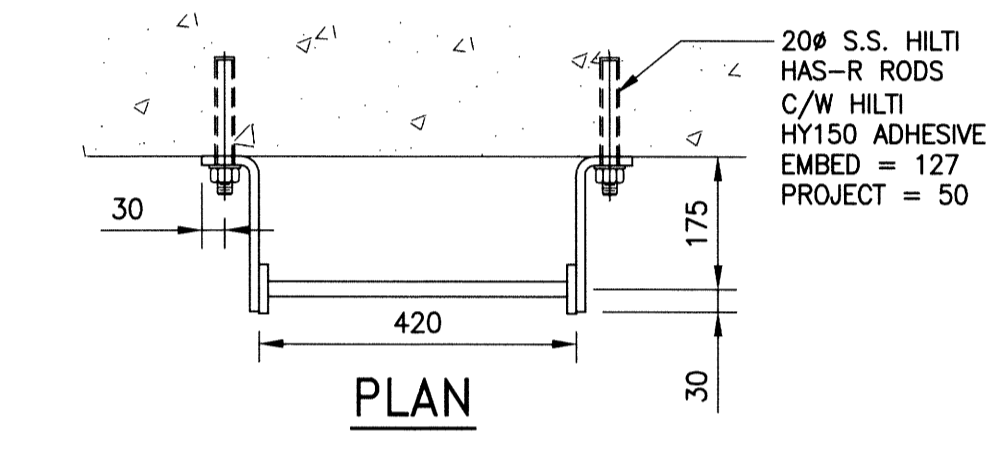
DETAIL - LADDER EXTENSION
SCALE: 1:10 (2 REQ'D.)



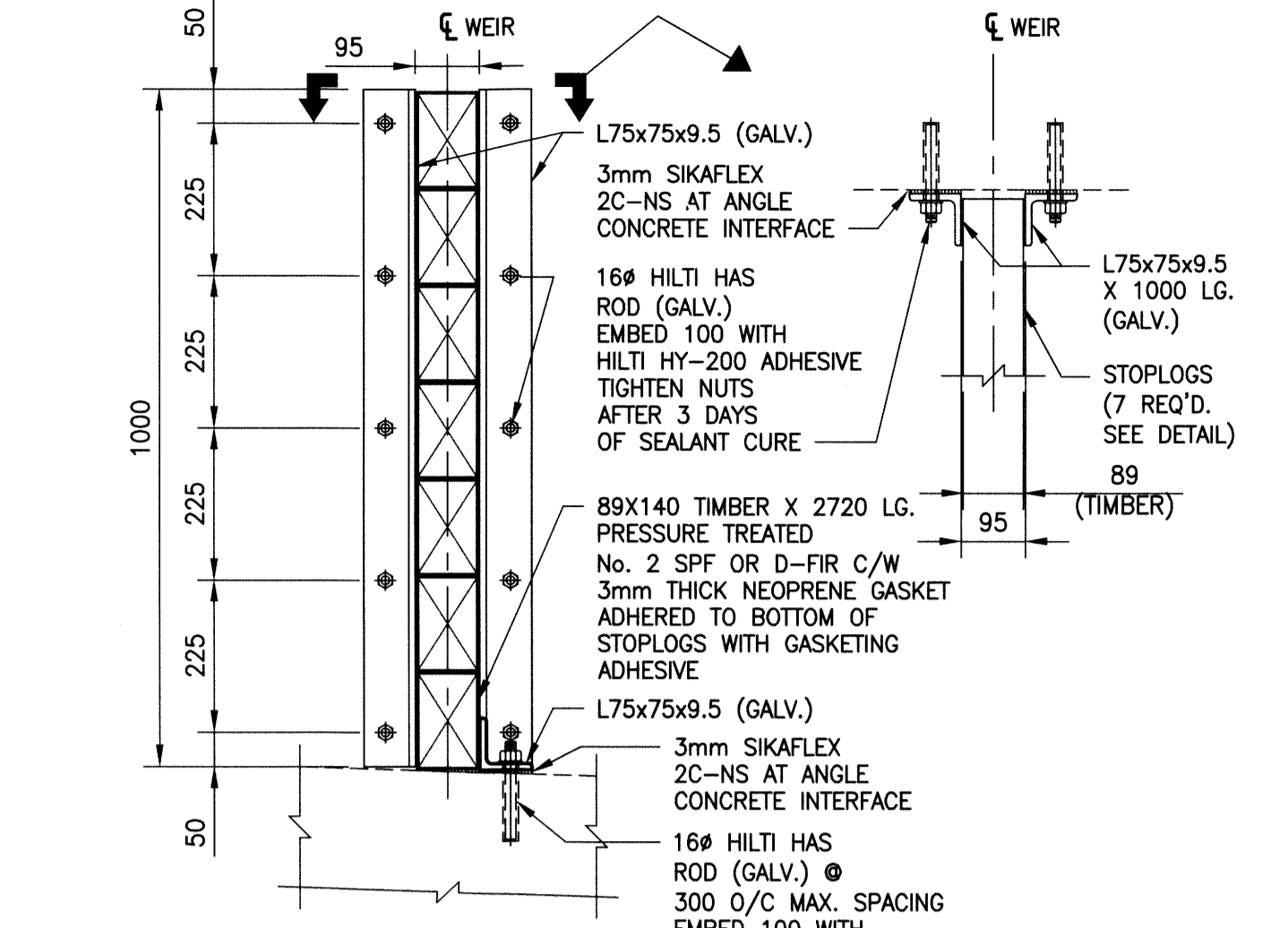
5
S02
FLAP GATE ACCESS HATCH
SCALE: 1:20



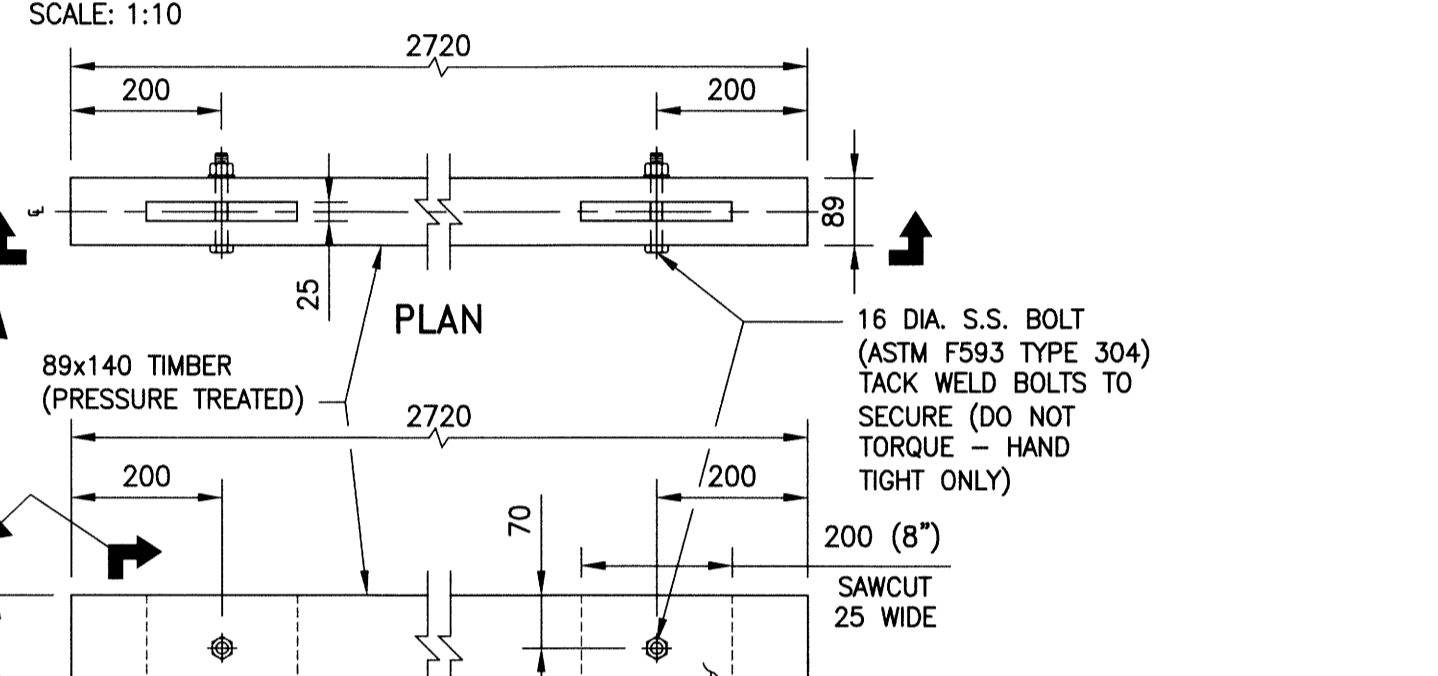
ELEVATION



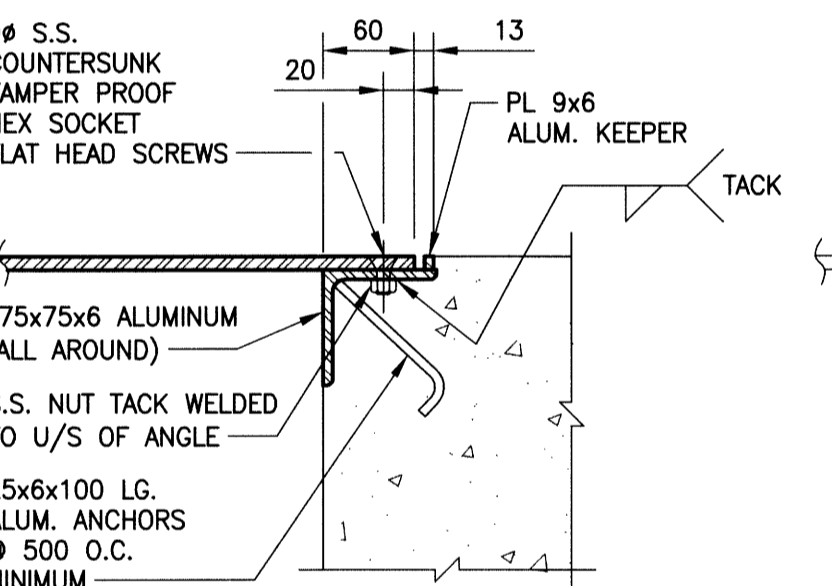
DETAIL - LADDER
SCALE: 1:10 (2 REQ'D.)



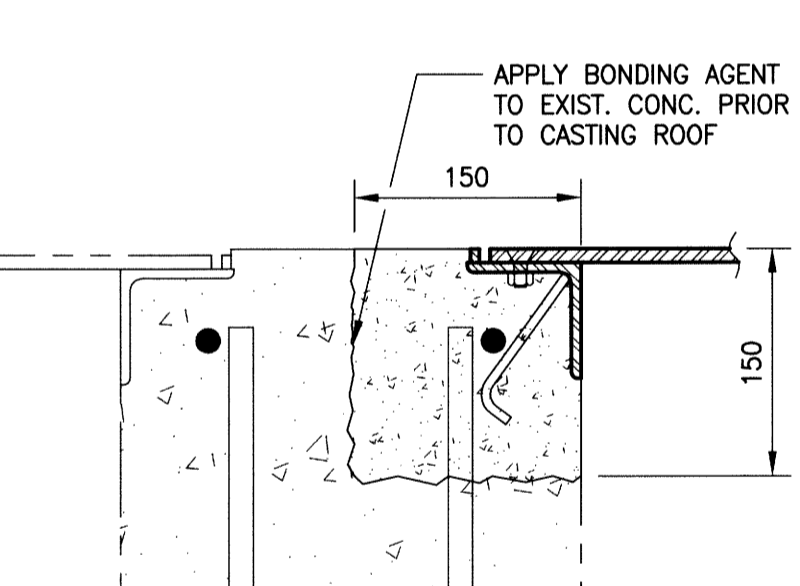
DETAIL - REMOVABLE STOPLOG WEIR STRUCTURE
SCALE: 1:10



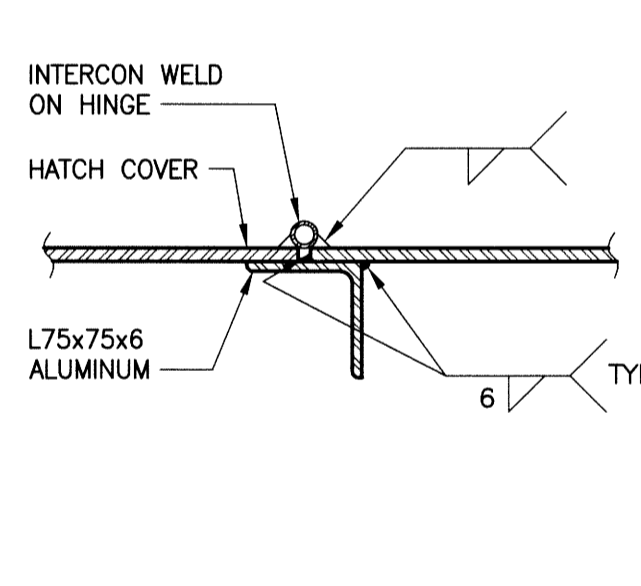
DETAIL - STOPLOG
SCALE: 1:10 (7 REQ'D.)



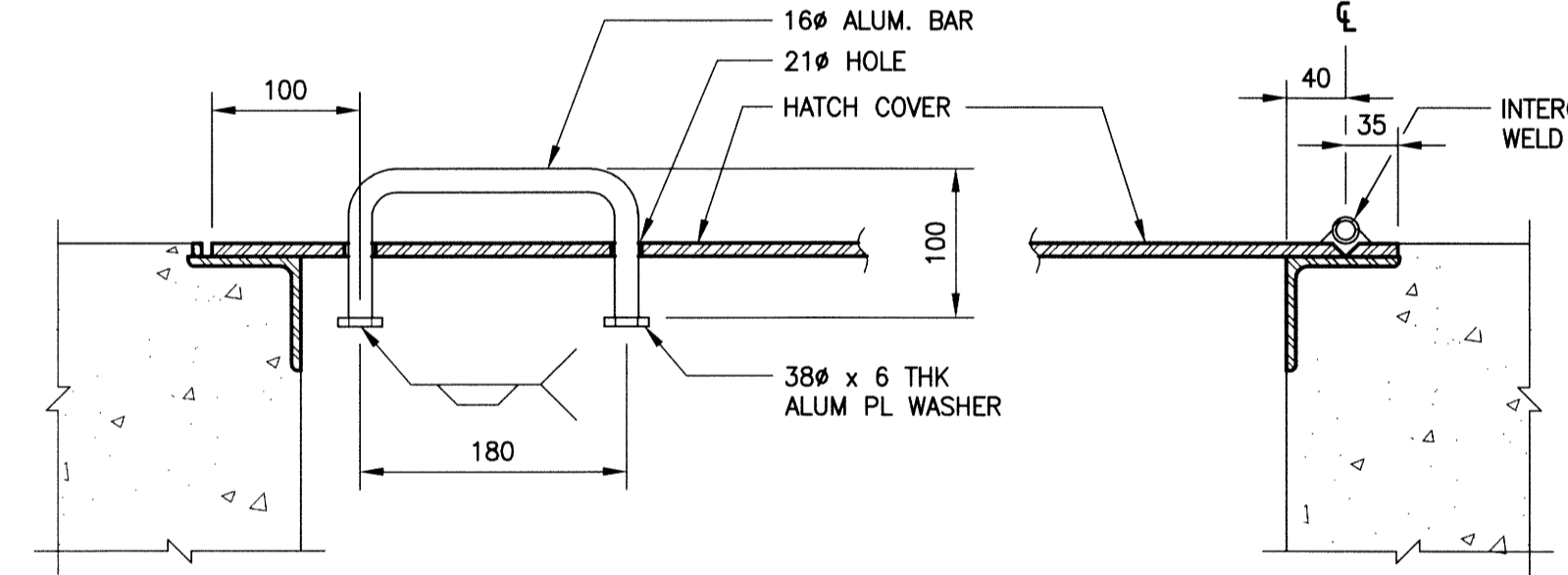
SECTION A-A
SCALE: 1:5



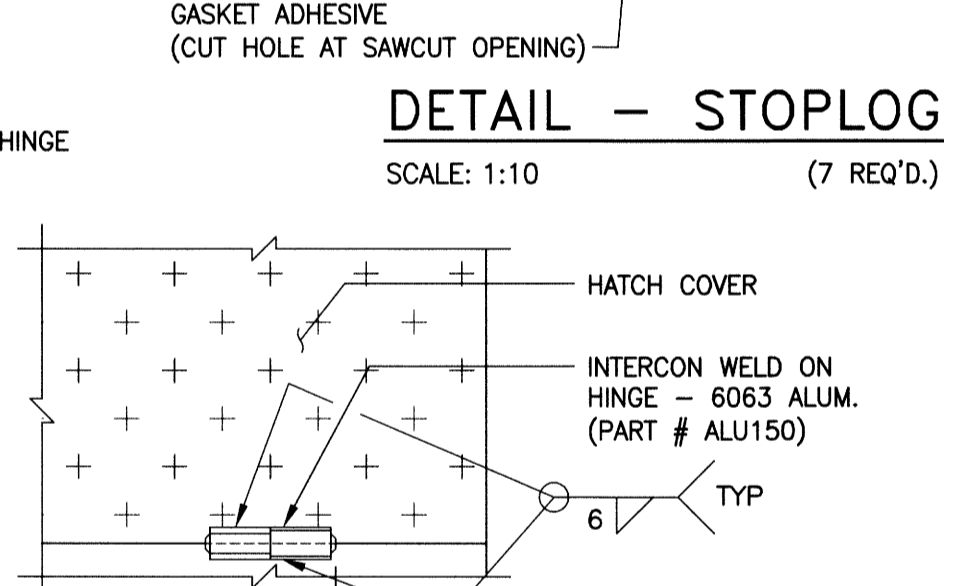
SECTION A1-A1
SCALE: 1:5



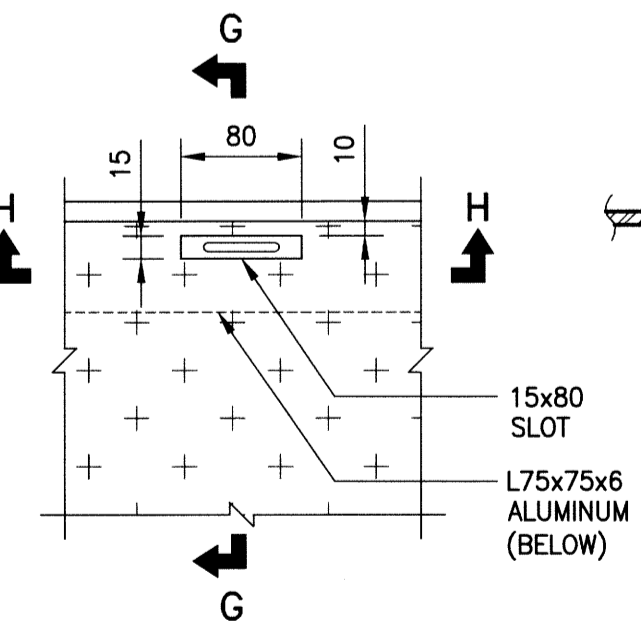
SECTION B-B
SCALE: 1:5



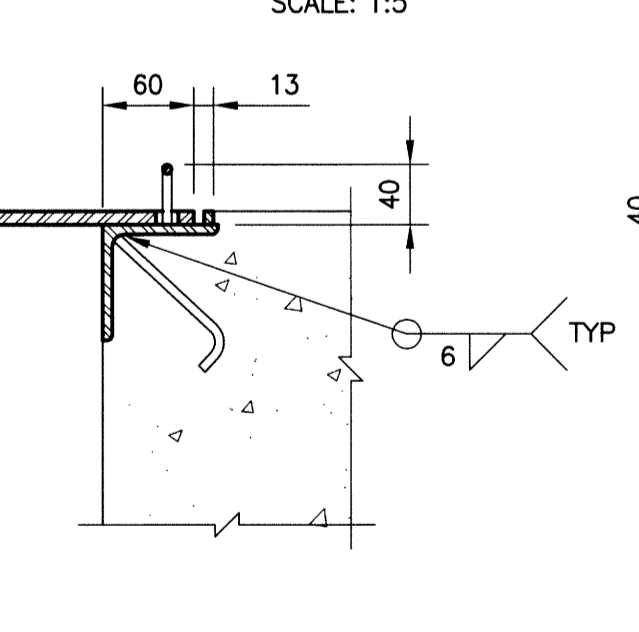
SECTION C-C
SCALE: 1:5



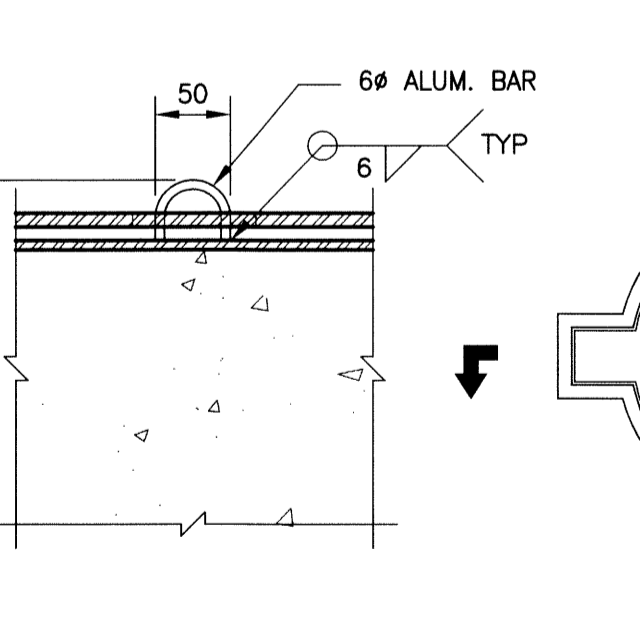
SECTION D-D
SCALE: 1:5



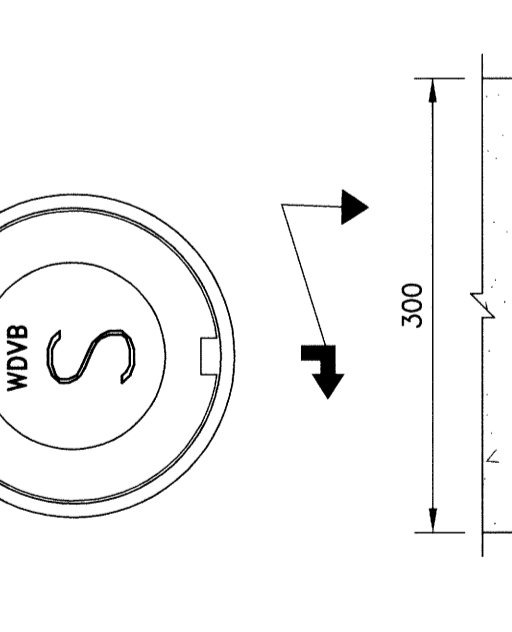
DETAIL F
SCALE: 1:5



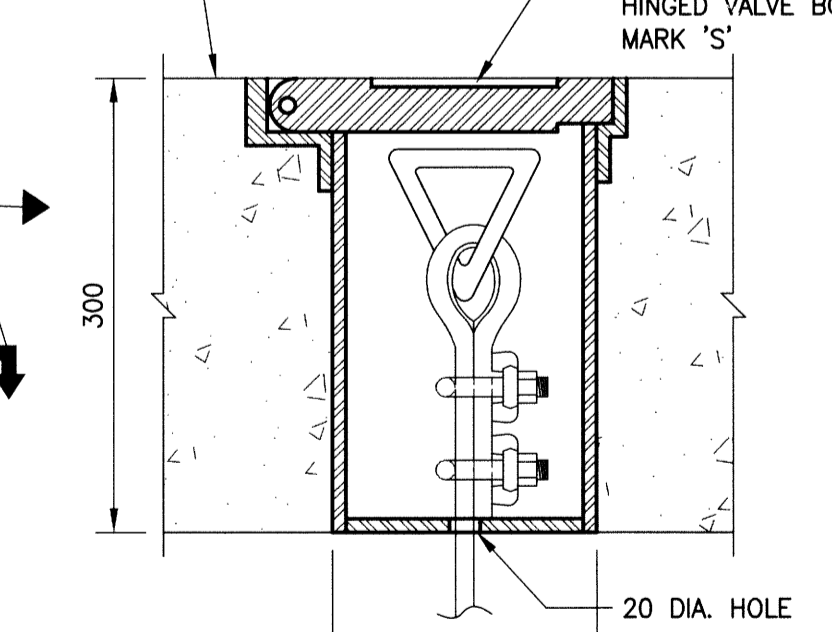
SECTION G-G
SCALE: 1:5



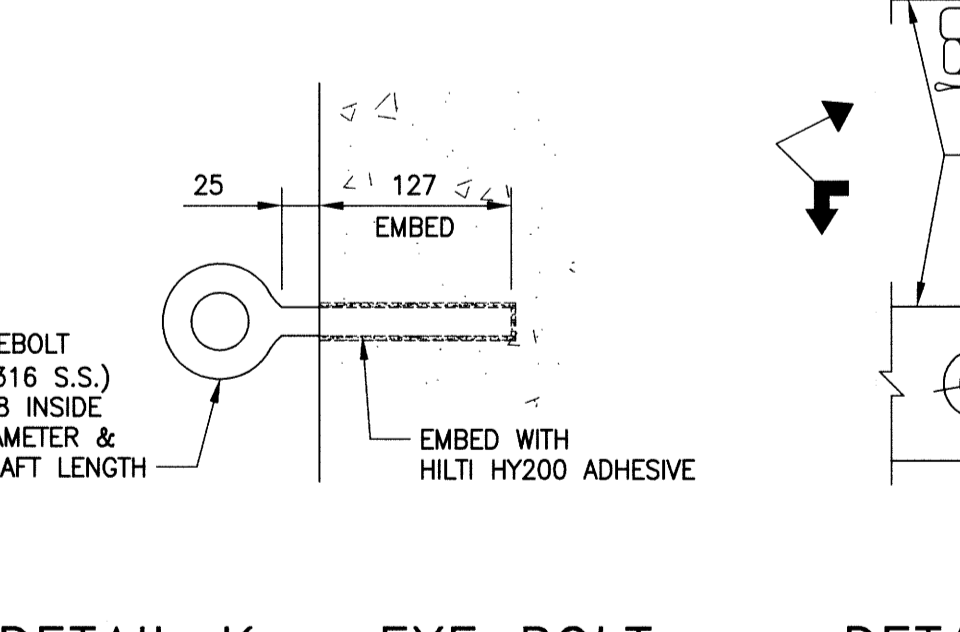
SECTION H-H
SCALE: 1:5



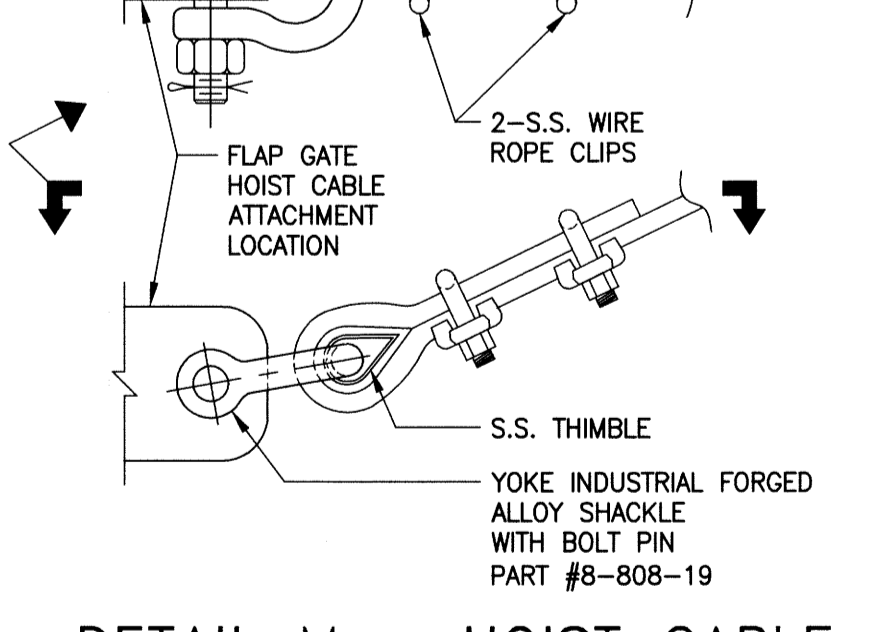
DETAIL J - VALVE BOX
SCALE: 1:5



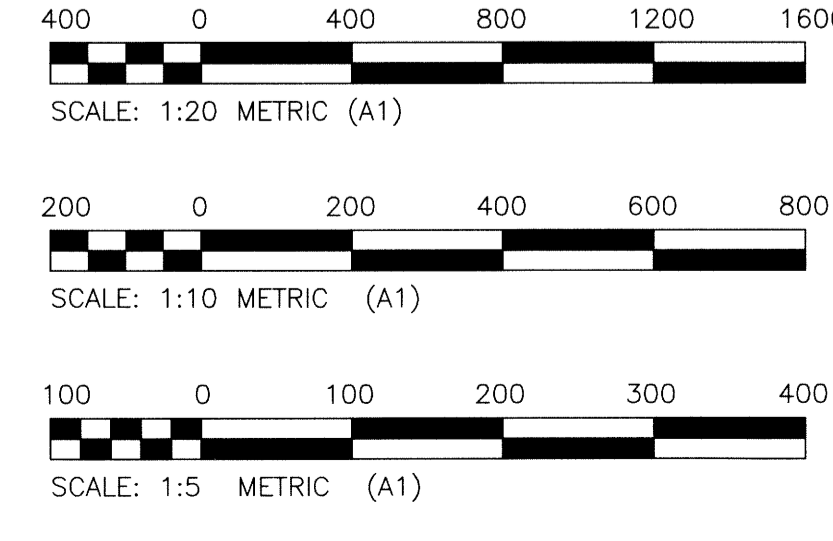
LIFTING RING DETAIL
SCALE: 1:5



DETAIL K - EYE BOLT
SCALE: 1:5



DETAIL M - HOIST CABLE
SCALE: 1:5



FIELD BOOK #	
POSTED TO LBIS	
DESIGNED BY	KRD
CHECKED BY	OMS
DRAWN BY	FBV
APPROVED BY	OMS
HDR. SCALE AS NOTED	
VERTICAL AS NOTED	
ISSUED FOR CONSTRUCTION	15/10/02 OMS
DATE	2015 07 20
REVISIONS	DATE BY

KGS GROUP
CONSULTING ENGINEERS

DESIGNED BY: KRD
CHECKED BY: OMS
DRAWN BY: FBV
APPROVED BY: OMS
HDR. SCALE AS NOTED
VERTICAL AS NOTED
ISSUED FOR CONSTRUCTION: 15/10/02 OMS
DATE: 2015 07 20

ENGINEER'S SEAL
PROVINCE OF MANITOBA
C.M. SIEPMAN
Member
20813

S05

THE CITY OF WINNIPEG
WATER AND WASTE DEPARTMENT

FORT ROUGE OUTFALL CHAMBER UPGRADES

STRUCTURAL
MISCELLANEOUS METALS DETAILS

SHEET 1 OF 1
CITY DRAWING NUMBER
1-0204A-S0005-001