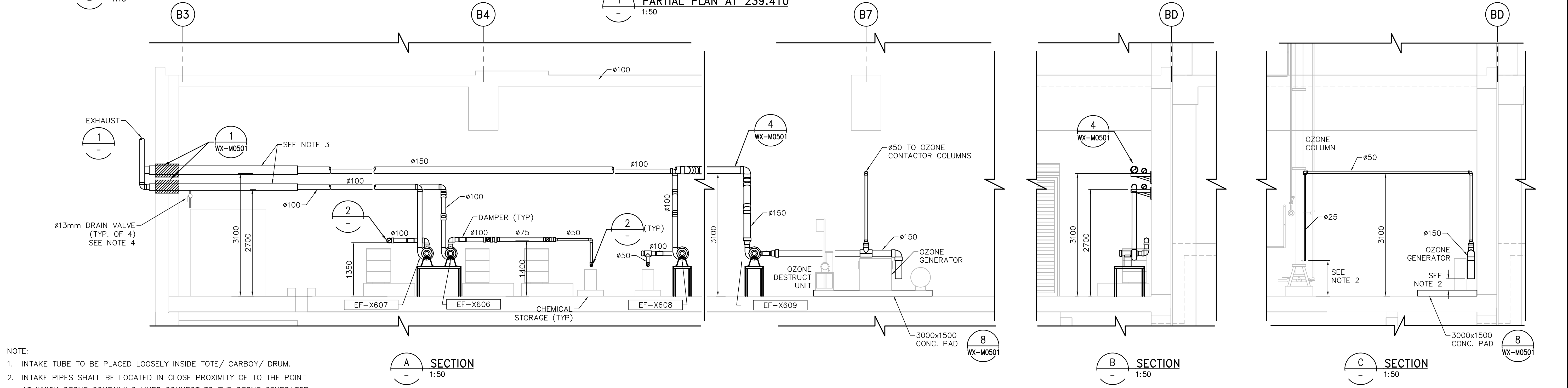


NOTES:
 1. FABRICATE BRACKETS FROM SAME MATERIAL AS DUCT. CONTRACTOR TO DETERMINE SIZE AND NUMBER OF BRACKETS REQUIRED TO MAKE A RIGID CONNECTION BETWEEN STACK AND STACKHEAD, USE WELDED OR SCREWED CONNECTIONS.
 2. ELEVATION TO BE 1.8m ABOVE ROOF LINE CLEARANCE.
 3. LOCATION OF STACK TO BE MIN. 3.0m CLEARANCE FROM INTAKE HOODS OR LOUVERS.

1 - DETAIL NTS

1 - PARTIAL PLAN AT 239.410 1:50

1 - PARTIAL PLAN AT 245.00 1:50

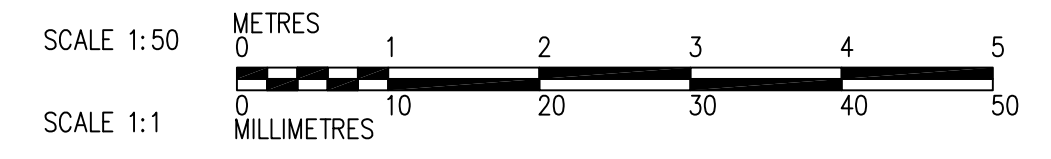


NOTE:
 1. INTAKE TUBE TO BE PLACED LOOSELY INSIDE TOTE/ CARBOY/ DRUM.
 2. INTAKE PIPES SHALL BE LOCATED IN CLOSE PROXIMITY OF TO THE POINT AT WHICH OZONE CONTAINING LINES CONNECT TO THE OZONE GENERATOR AND CONTACTORS.
 3. PROVIDE INSULATION/ VAPOUR PROTECTION FOR MIN. 3.0m BEFORE AN EXTERIOR WALL PENETRATION.
 4. TURN OFF FAN WHEN TESTING LOW POINT DRAIN. USE APPROPRIATE PERSONAL PROTECTION WHEN TESTING DRAIN. DIRECT 13mm DRAIN DISCHARGE PIPING TO THE NEAREST FLOOR DRAIN.
 5. STAINLESS STEEL TABLES FOR EXHAUST FANS TO BE SUPPLIED AND INSTALLED BY CONTRACTOR.
 6. EXACT LOCATION OF EQUIPMENT PAD TO BE COORDINATED WITH MECHANICAL INSTALLATION CONTRACTOR (BID OP. 1068-2014)

A - SECTION 1:50

B - SECTION 1:50

C - SECTION 1:50



B.M. ELEV.			
CONSTRUCTION COMPLETION DATE: YYYY MM DD			
DESIGNED BY	KG	CHECKED BY	BW
DRAWN BY	JBC	APPROVED BY	BW
SCALE: HORIZONTAL 1:50 VERTICAL -	RELEASED FOR CONSTRUCTION		
DATE 2015 02 10	DATE		
NO.	REVISIONS	DATE	BY
1	ISSUED FOR BID OP. 85-2015	15/02/10	JBC
A	ISSUED FOR TENDER	14/06/13	JBC

CH2MHILL

ENGINEER'S SEAL
 PROVINCE OF MANITOBA
 S.A.R. BEGG
 Member 23747
 REGISTERED PROFESSIONAL ENGINEER
 Feb 18, 2015
 CONSULTANT DRAWING NUMBER
WX-H0121

THE CITY OF WINNIPEG
 WATER AND WASTE DEPARTMENT
 ENGINEERING DIVISION

Winnipeg

CITY OF WINNIPEG WATER TREATMENT RESEARCH AND PROCESS OPTIMIZATION FACILITY
 HVAC
 PARTIAL PLANS AND SECTIONS

SHEET X OF X
 CITY DRAWING NUMBER
 1-0601X-H0002-001-01