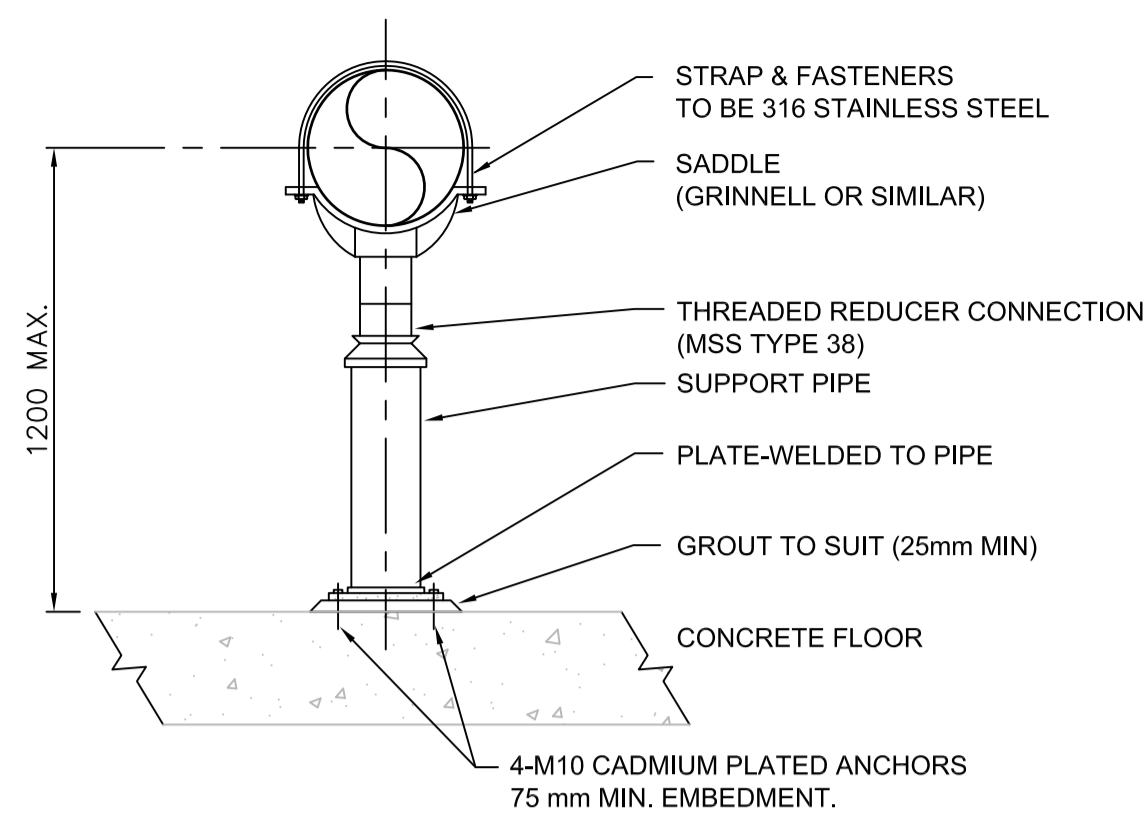


TABLE OF "LINK-SEAL" SERIES FOR STEEL PIPE  
(FOR OTHER SIZES SEE SUPPLIER'S TABLES)

STEEL PIPE		WALL SLEEVE	LINK-SEAL	
SIZE	ACTUAL O.D. (mm)	I.D. (mm)	LINKS/SEAL	MODEL NO.
13	21.3	52.5	4	LS-200-C
20	26.7	62.7	5	LS-275-C
25	33.4	62.7	5	LS-200-C
32	42.2	77.9	7	LS-275-C
38	48.3	90.1	5	LS-300-C
50	60.3	102.3	6	LS-300-C
75	89.0	128.2	8	LS-300-C
100	114.3	154.1	10	LS-300-C
125	141.3	202.7	6	LS-425-C
150	168.3	254.5	7	LS-400-C
200	219.1	304.8	12	LS-475-C

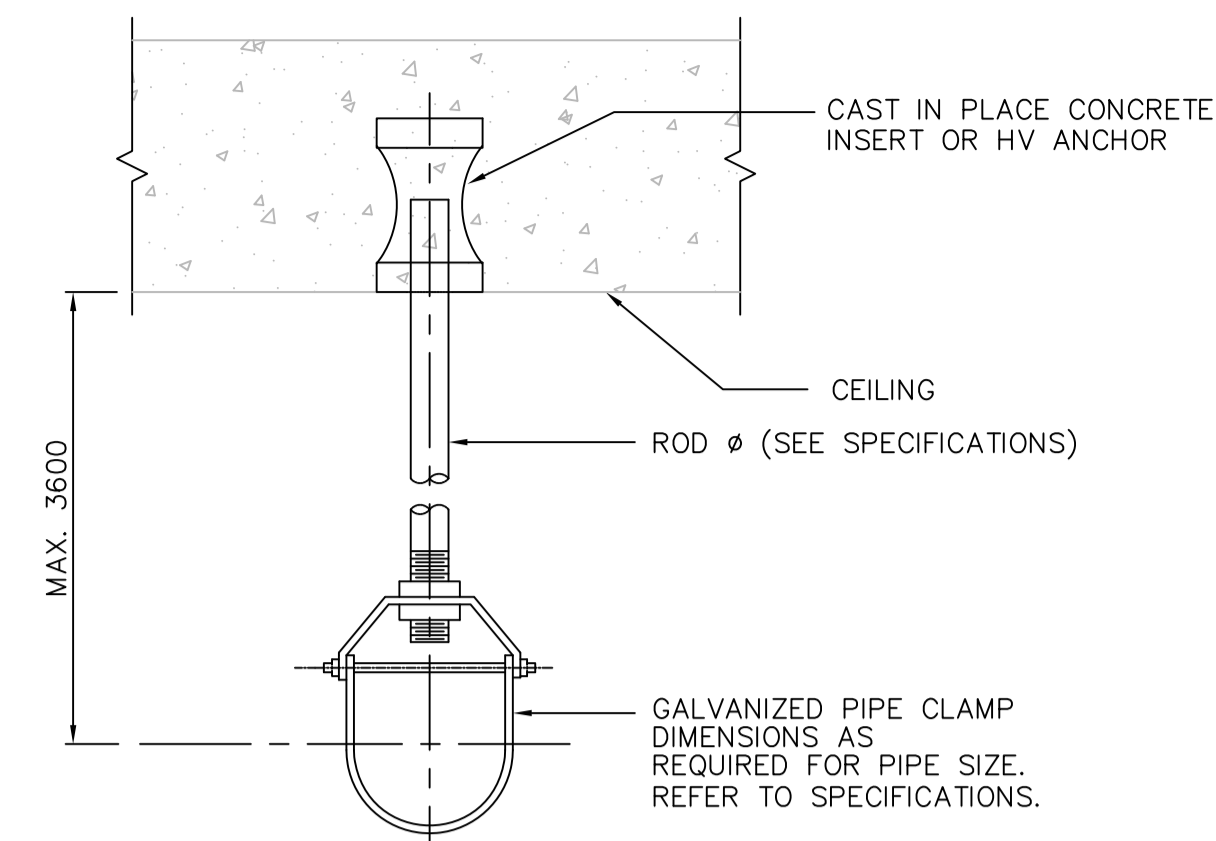
- APPLICATION NOTES:
- CONCRETE WALL
  - STEEL, STAINLESS STEEL, DUCTILE IRON, PVC OR FRP PIPE; NON-INSULATED.
  - CONDITION
    - DRY TO DRY
    - INTERIOR TO UNDERGROUND

1 WALL/ FLOOR PENETRATION  
NTS



PIPE SIZE (mm)	SUPPORT PIPE (mm)	PLATE SIZE (mm)
50	38	150 X 150 X 9.5
75	50	250 X 250 X 9.5
100	75	250 X 250 X 9.5
150	100	250 X 250 X 9.5
200	150	250 X 250 X 9.5
250	200	300 X 300 X 9.5

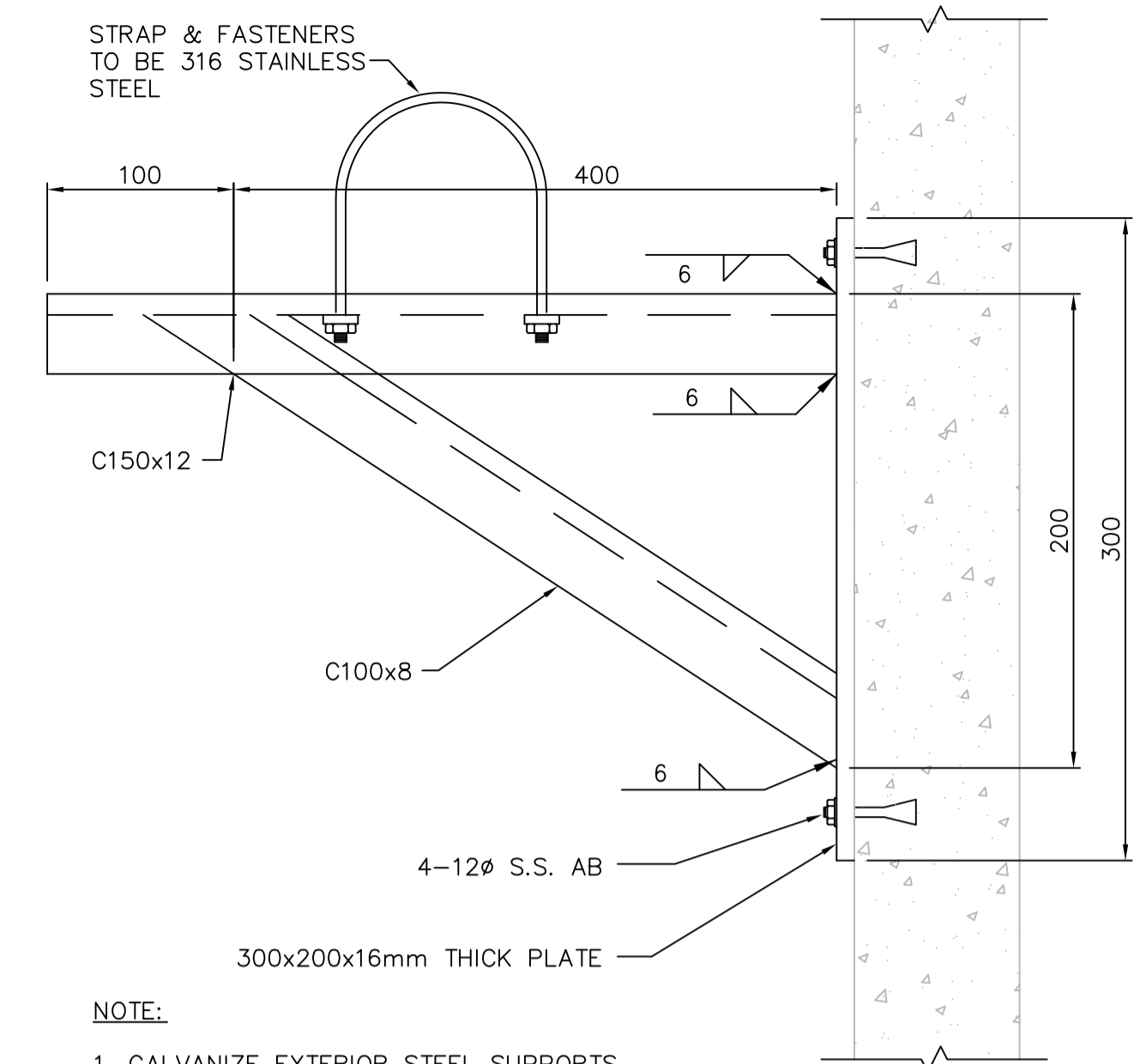
2 ADJUSTABLE PIPE SUPPORT WITH SADDLE  
NTS



PIPE SIZE (mm)	ROD SIZE (mm)	MAX LOAD (kg)
25	9.4	280
50	9.4	280
75	12.0	510
100	16.0	800
150	20.0	1230
200	22.0	1710
250	25.0	2250
300	25.0	2250
350	25.0	2250
400	25.0	2250
450	25.0	2250
500	32.0	3630
600	32.0	3630

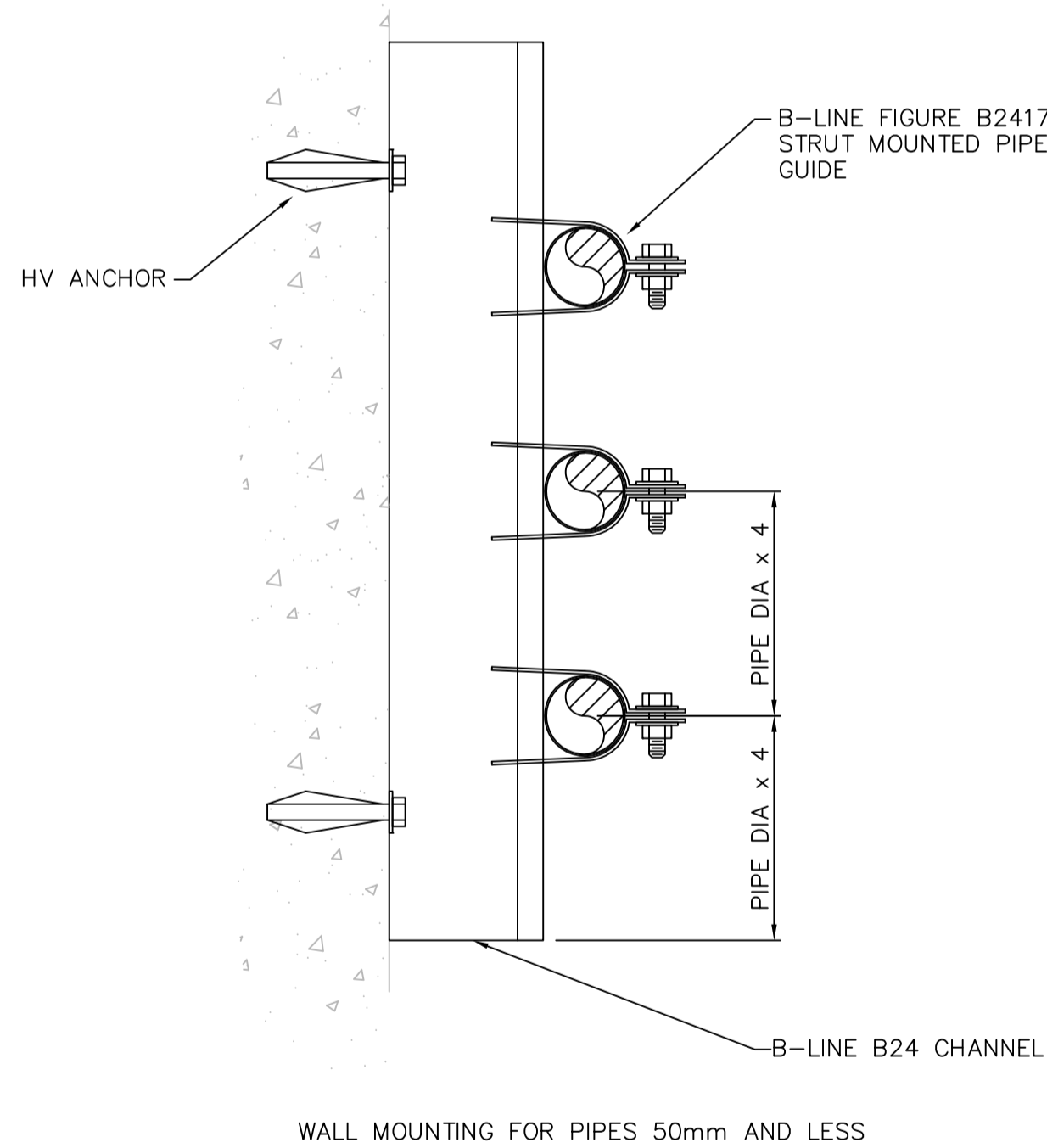
SAFETY FACTOR = 5

3 SINGLE PIPE HANGER  
NTS



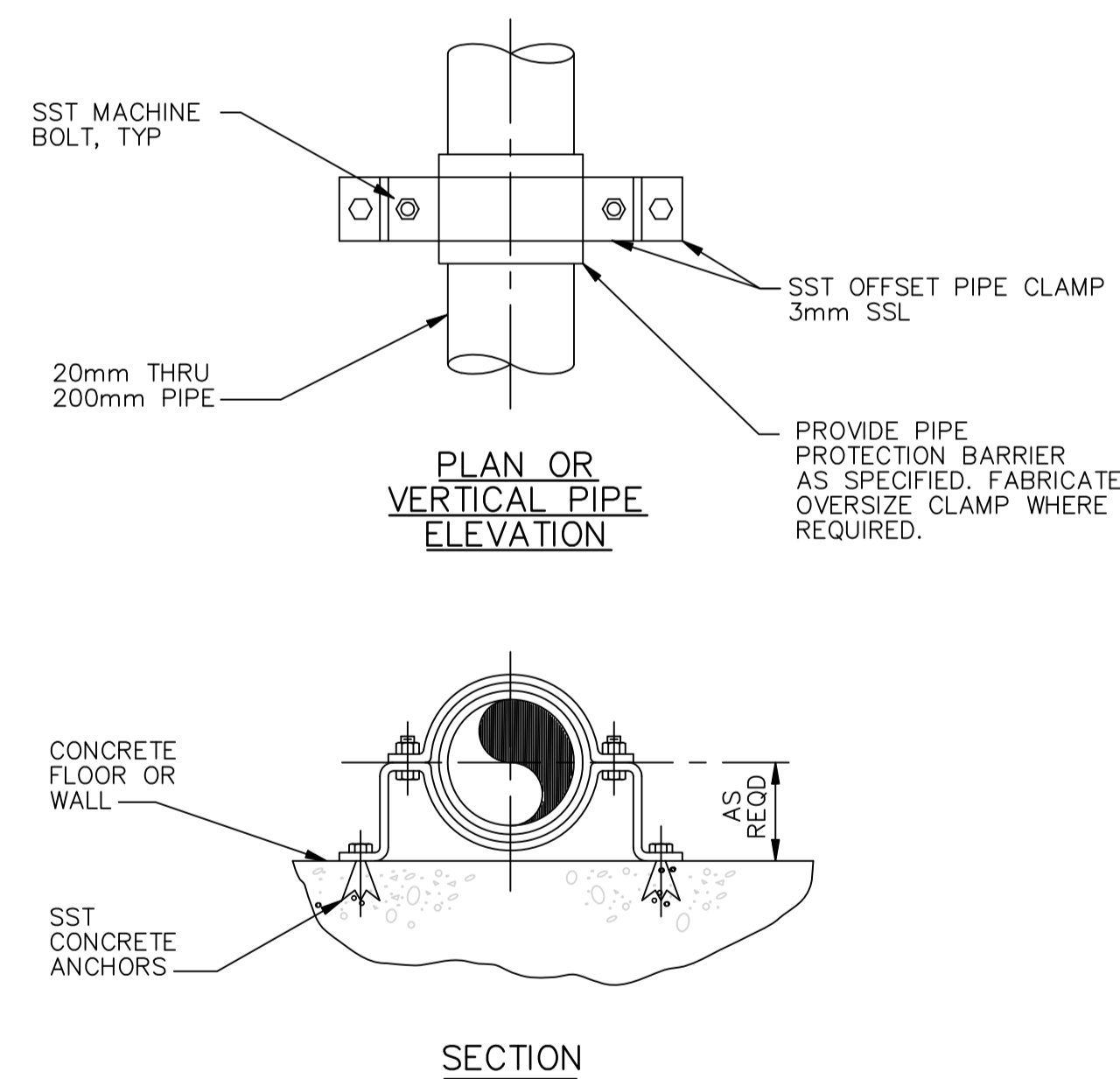
- NOTE:
- GALVANIZE EXTERIOR STEEL SUPPORTS
  - PROVIDE PIPE STRAPPING AS REQUIRED.

4 WALL MOUNTED PIPE SUPPORT  
NTS



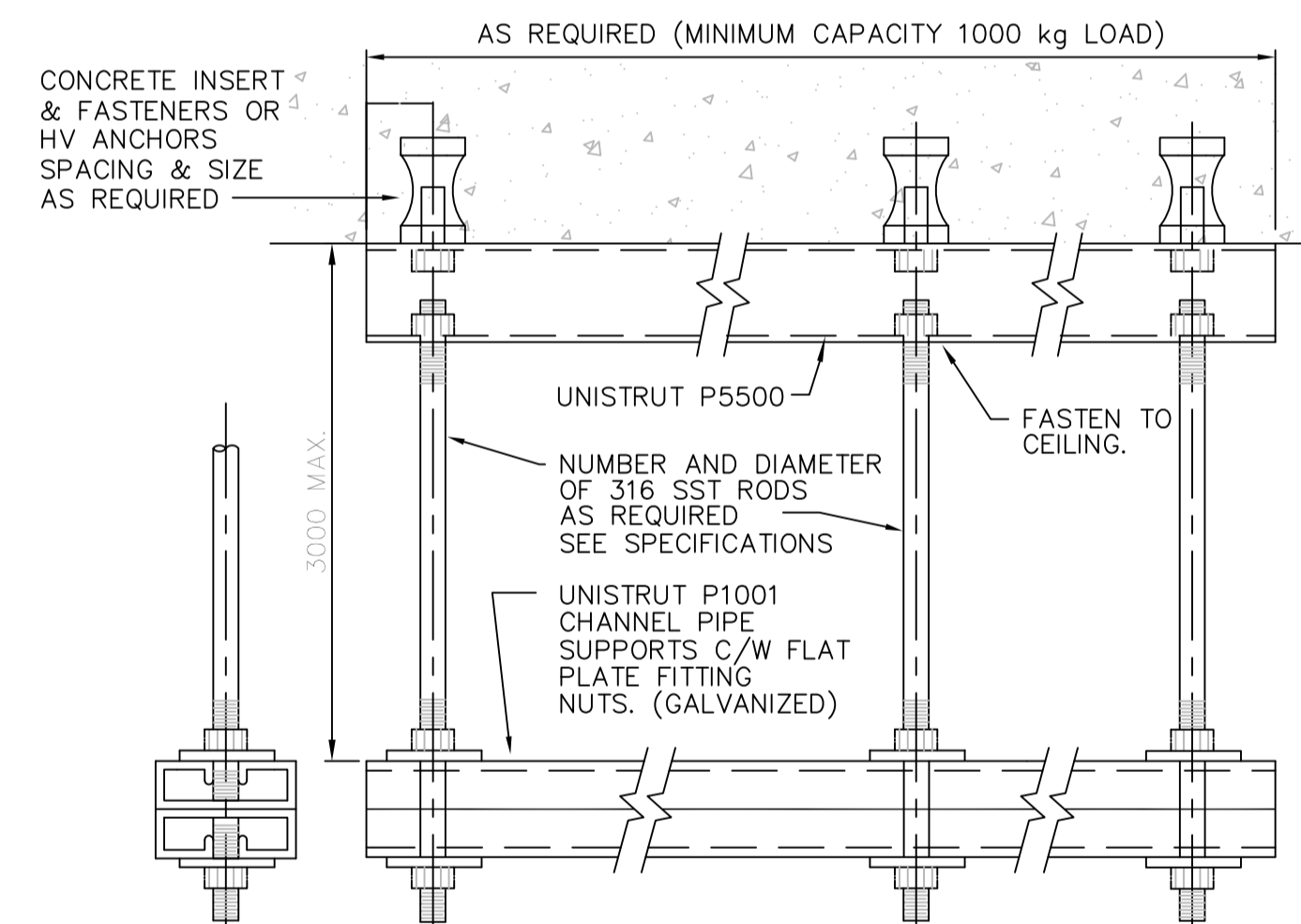
WALL MOUNTING FOR PIPES 50mm AND LESS

5 SMALL PIPING WALL MOUNTED PIPE SUPPORT  
NTS



- NOTES:
- ALL DIMENSIONS IN MILLIMETERS, UNLESS OTHERWISE NOTED.

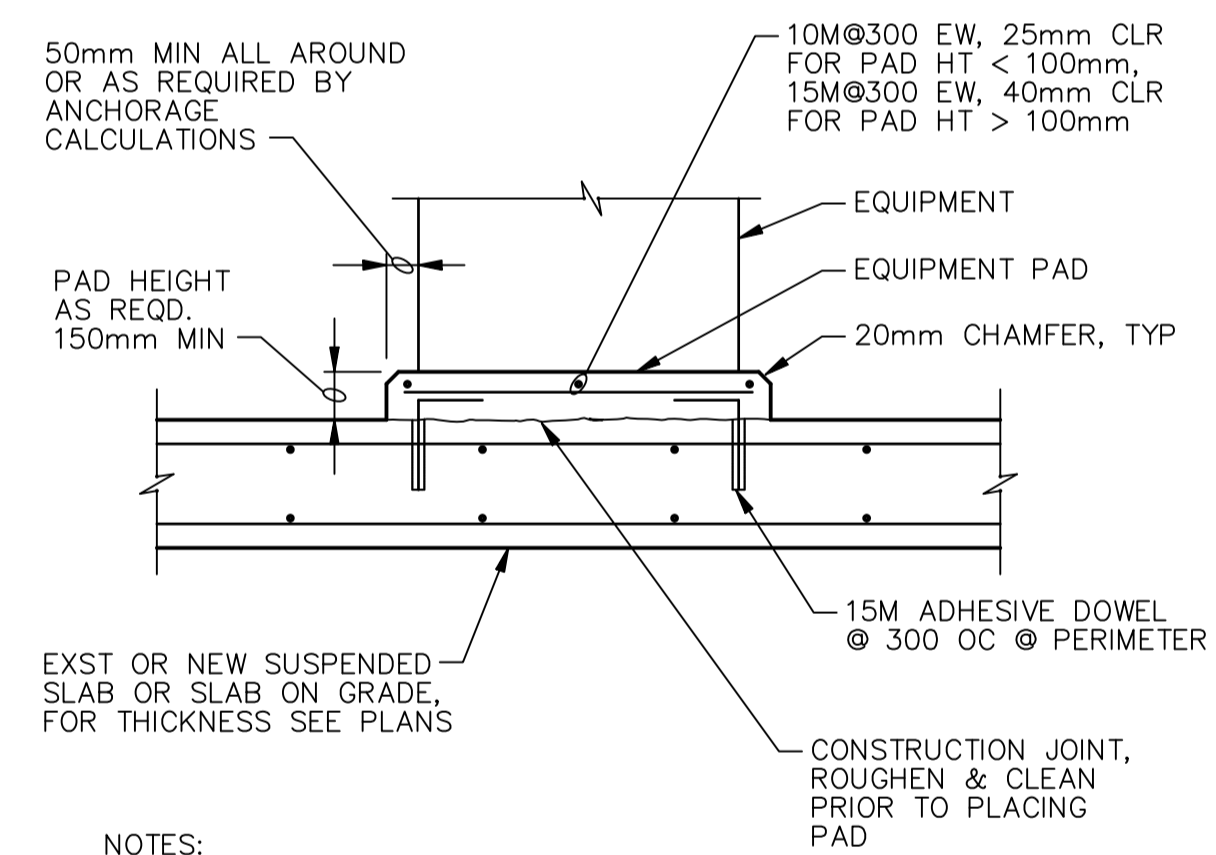
6 WALL MOUNTED PIPE SUPPORT  
NTS



PIPE SIZES ON RACK	ROD SIZE REQUIRED	
	600mm SPACING	900mm SPACING
150mm AND SMALLER	9mm	9mm
300mm AND SMALLER	12mm	12mm
100mm AND SMALLER	9mm	9mm
200mm AND SMALLER	12mm	12mm
300mm AND SMALLER	19mm	19mm
75mm AND SMALLER	9mm	9mm
150mm AND SMALLER	12mm	12mm
200mm AND SMALLER	16mm	16mm
300mm AND SMALLER	19mm	19mm

NOTE: 1. MAXIMUM SPACING = 1200mm 2. MINIMUM SAFETY FACTOR = 3

7 MULTI-PIPE HANGER  
NTS



- NOTES:
- WHEN ANCHORAGE OF EQUIPMENT TO PAD IS REQUIRED, USE CONCRETE ANCHORS SPECIFIED.
  - CONCRETE PADS FOR ELECTRICAL EQUIPMENT SHALL BE 90mm HIGH, UNLESS NOTED OTHERWISE.

8 EQUIPMENT PAD  
NTS



NO.	REVISIONS	DATE	BY
2	ISSUED FOR BID OP. 85-2015	15/02/10	JBC
1	ISSUED FOR BID OP. 1068-2014	15/01/23	JBC
0	ISSUED FOR TENDER	14/06/13	JBC

**CH2MHILL**

DESIGNED BY: KG  
CHECKED BY: BW  
DRAWN BY: JBC  
APPROVED BY: BW

SCALE: HORIZONTAL: NTS, VERTICAL: -

DATE: 2015 02 10

ENGINEER'S SEAL

PROVINCE OF MANITOBA  
WILLIAMSON  
Member  
REGISTERED PROFESSIONAL ENGINEER

CONSULTANT DRAWING NUMBER: WX-M0501

THE CITY OF WINNIPEG  
WATER AND WASTE DEPARTMENT  
ENGINEERING DIVISION

Winnipeg

CITY OF WINNIPEG WATER TREATMENT RESEARCH AND PROCESS OPTIMIZATION FACILITY

PROCESS STANDARD DETAILS  
SHEET 1 OF 2

SHEET X OF X  
CITY DRAWING NUMBER  
1-0601X-M0008-001-02