

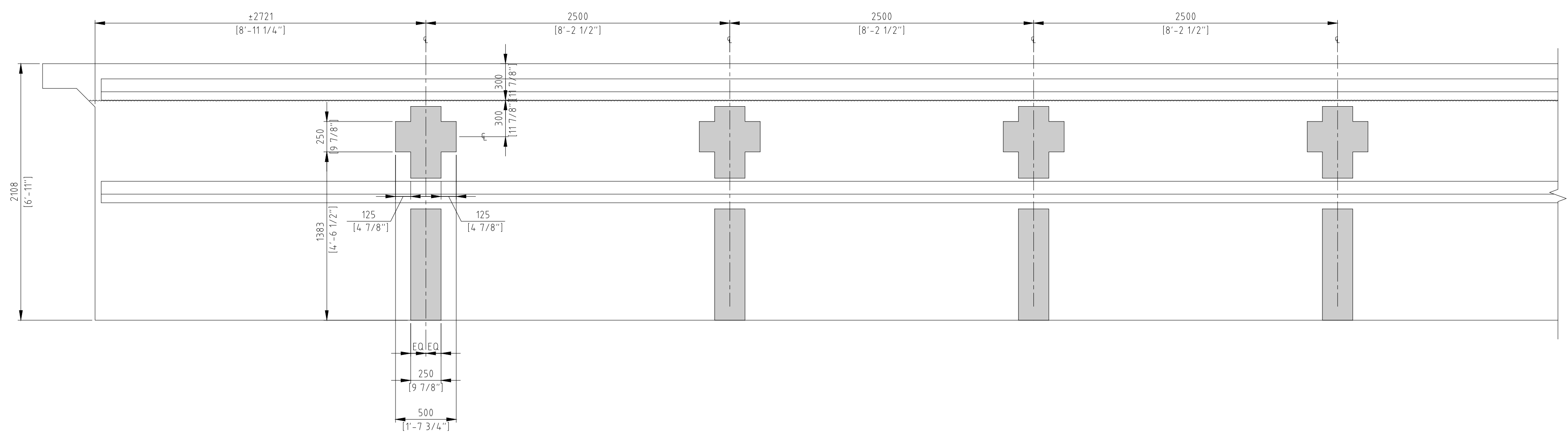
NOTES:

THESE DIMENSIONS ARE PROVIDED FOR REFERENCE ONLY. IT IS THE CONTRACTOR'S RESPONSIBILITY TO CONFIRM THE SITE CONDITIONS TO ENSURE ALL THE FIELD OF PLAY REQUIREMENTS OF THIS BID OPPORTUNITY ARE MET.

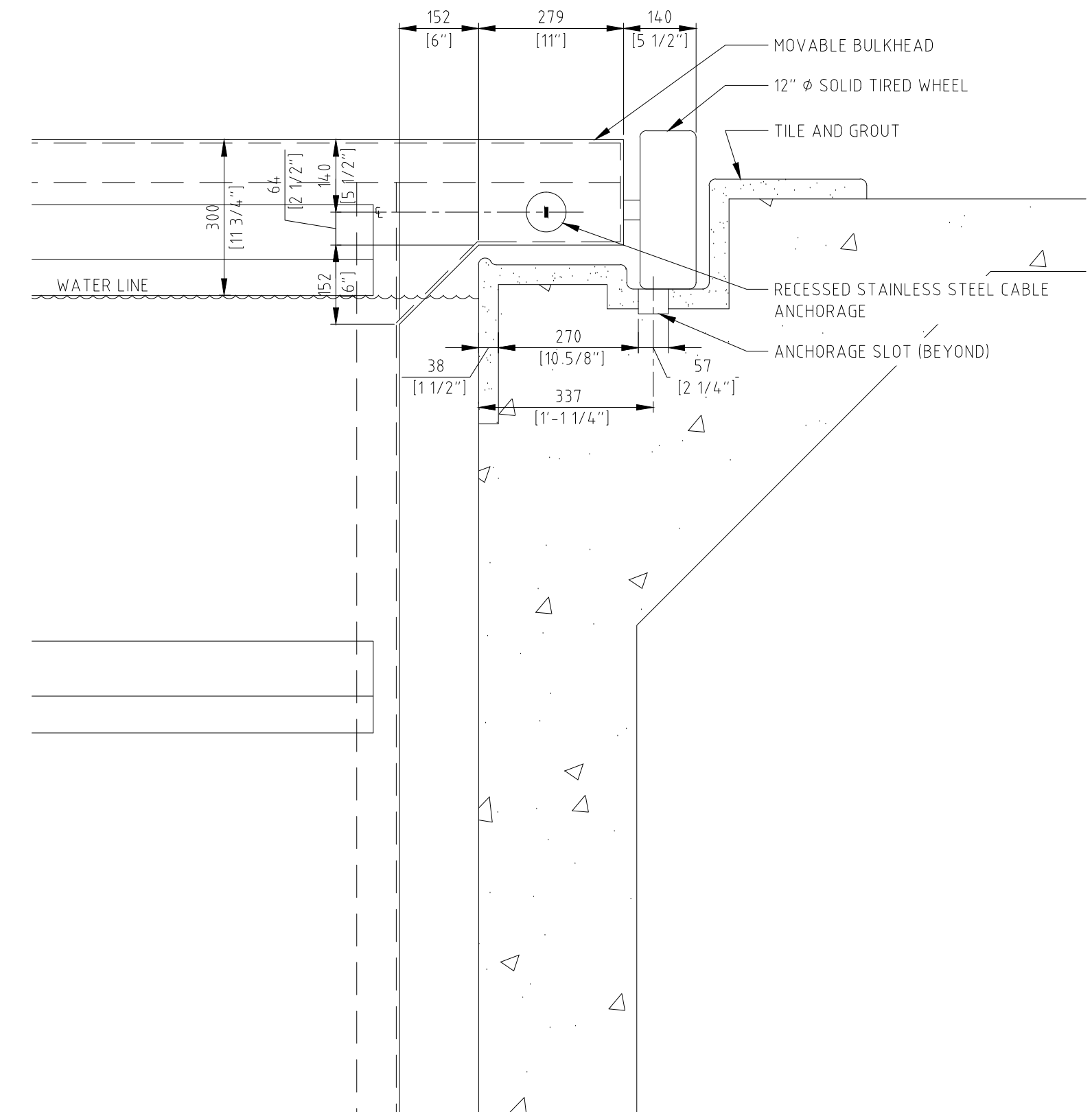
BULKHEADS MUST MEET ALL THE FINA REQUIREMENTS.

EXISTING DETAILS ARE PROVIDED FOR REFERENCE ONLY. EACH BULKHEAD MANUFACTURER IS TO DESIGN TO THEIR MANUFACTURING SPECIFICATIONS.

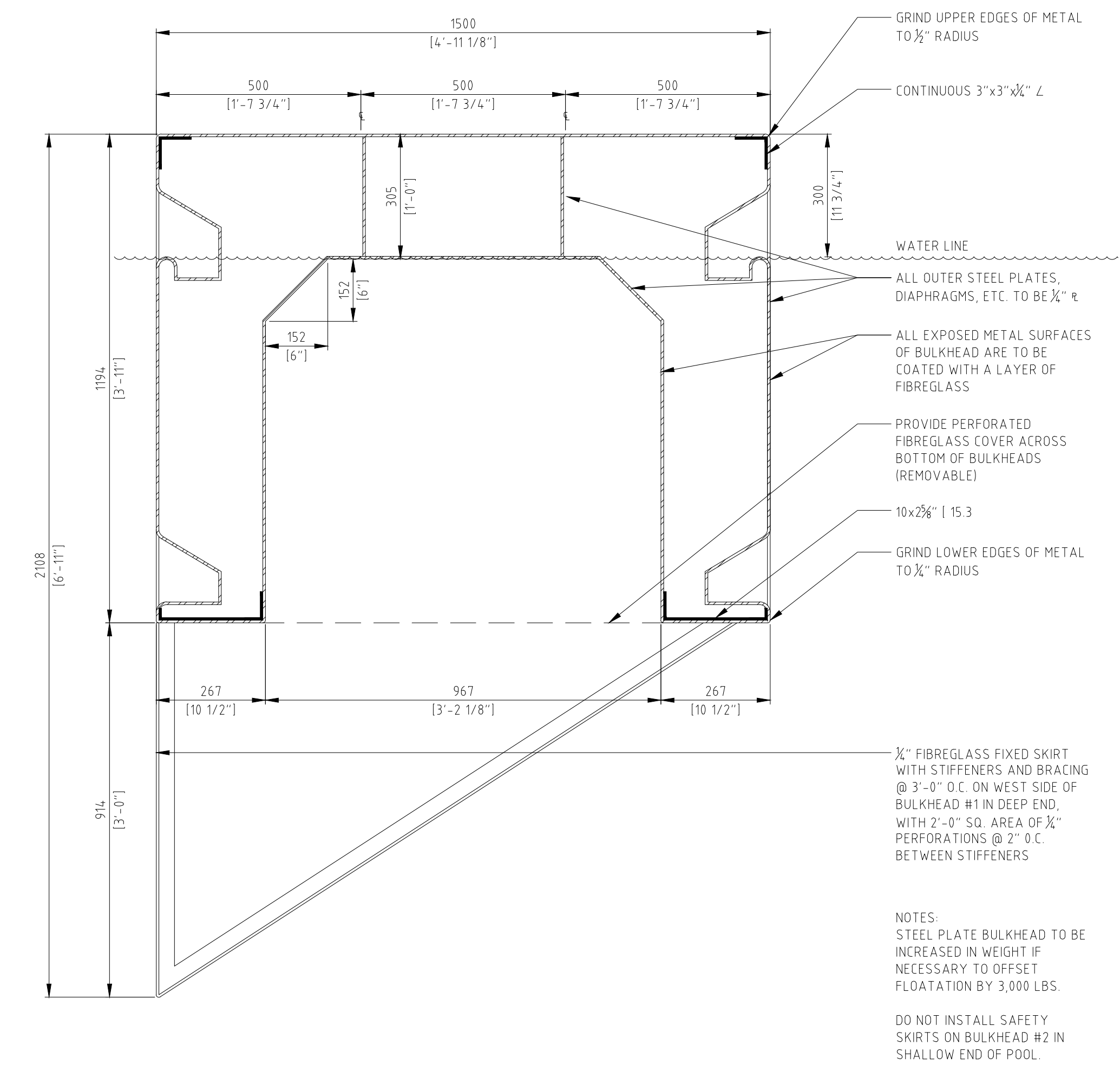
ENSURE THAT THE TOP AND SIDES OF THE BULKHEAD HAVE A NON-SLIP SURFACE.



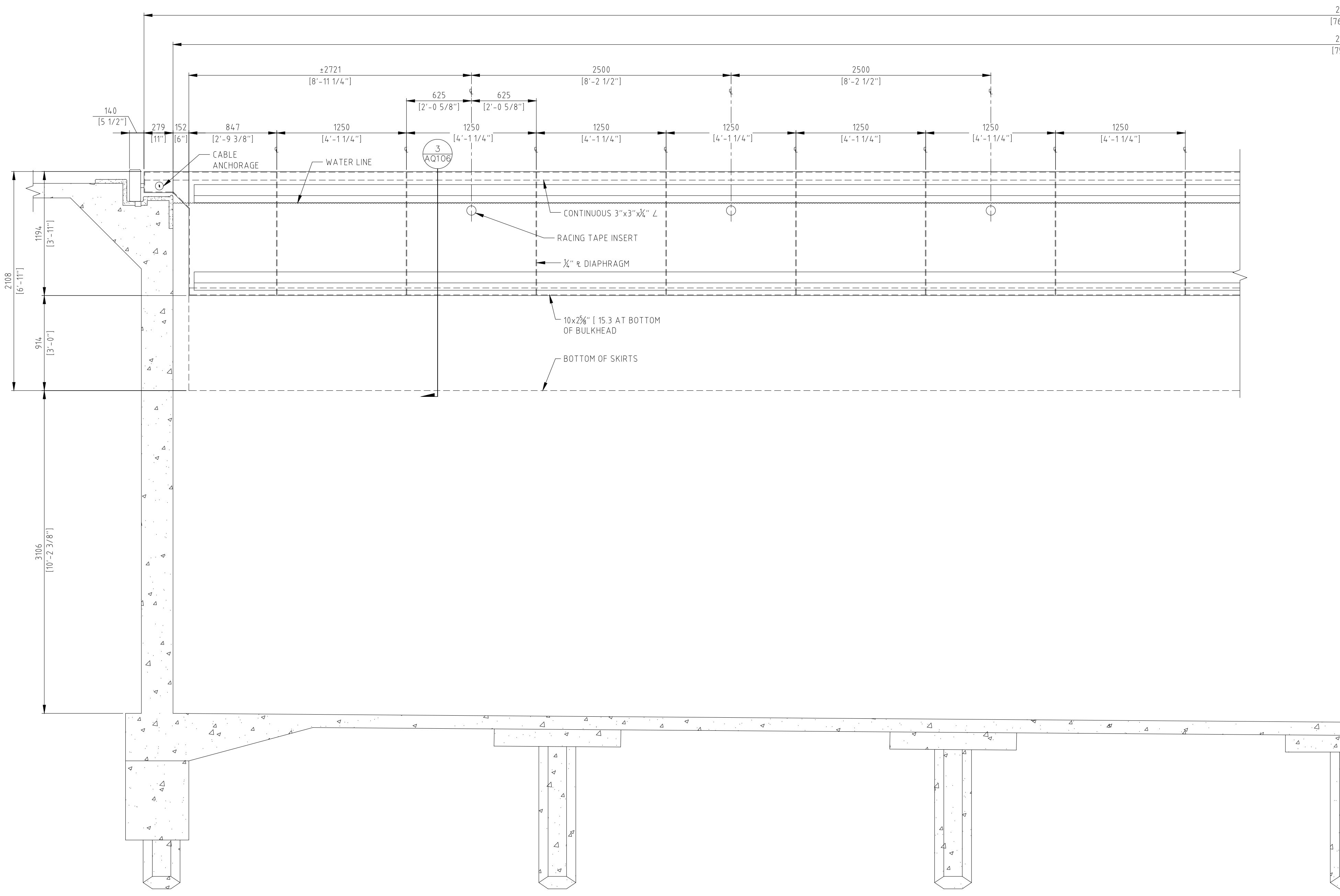
TARGETS ELEVATION DETAIL **5**
125 AQ106



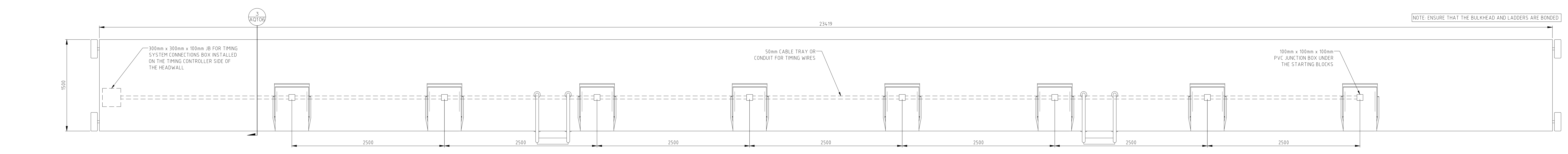
EXISTING BULKHEAD DETAIL **4**
110 AQ106



SECTION THROUGH EXISTING BULKHEAD **3**
110 AQ106



EXISTING BULKHEAD ELEVATION DETAIL **2**
125 AQ106



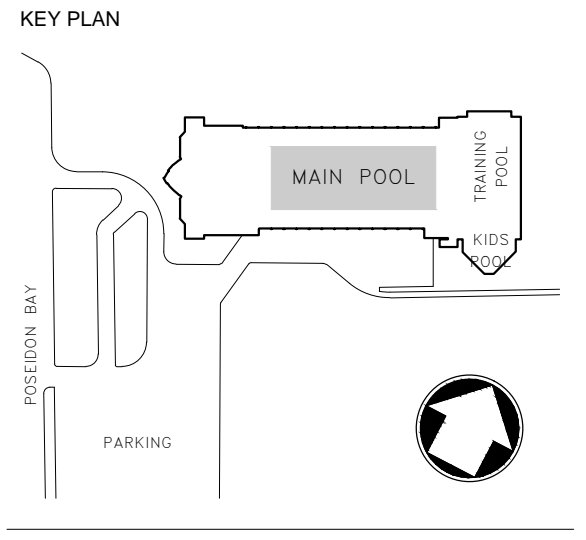
BULKHEAD AND STARTING BLOCK DETAIL **1**
125 AQ106

THIS DRAWING IS NOT TO BE SCALED.

REFER TO APPROPRIATE SAFETY, STRUCTURAL, MECHANICAL, ELECTRICAL, AND CHEMICAL CODES FOR REQUIREMENTS OF ALL APPLICABLE CODES AND REQUIREMENTS OF ALL APPLICABLE CODES AND REQUIREMENTS OF ALL APPLICABLE CODES AND REQUIREMENTS OF ALL APPLICABLE CODES.

CONSTRUCTION MUST CONFORM TO ALL APPLICABLE CODES AND REQUIREMENTS OF ALL APPLICABLE CODES AND REQUIREMENTS OF ALL APPLICABLE CODES.

THE CONTRACTOR SHALL VERIFY AND ACCEPT RESPONSIBILITY FOR ALL DIMENSIONS AND CONDITIONS OF SITE AND SHALL NOTIFY THE APPROPRIATE CONTRACT ADMINISTRATOR OF ANY VARIATIONS FROM THE SUPPLIED INFORMATION.



SEAL

TRUE NORTH CONSTRUCTION NORTH

REVISIONS	NO.	DATE	DESCRIPTION

NO.	DATE	DESCRIPTION
4	2015 DEC 8	ISSUED FOR BID OPPORTUNITY
3	2015 NOV 20	90% SUBMISSION - CLIENT REVIEW
2	2015 AUG 5	50% SUBMISSION - CLIENT REVIEW
1	2015 MAY 15	30% SUBMISSION - CLIENT REVIEW

PROJECT: PAN AM POOL - WINNIPEG BULKHEAD REPLACEMENT

ISSUED:

DRAWN BY: DJ REVIEWED BY: TH

DATE: MAR 2015 SCALE: AS NOTED

PROJECT NO: PAN-W-011-14

SHEET TITLE: