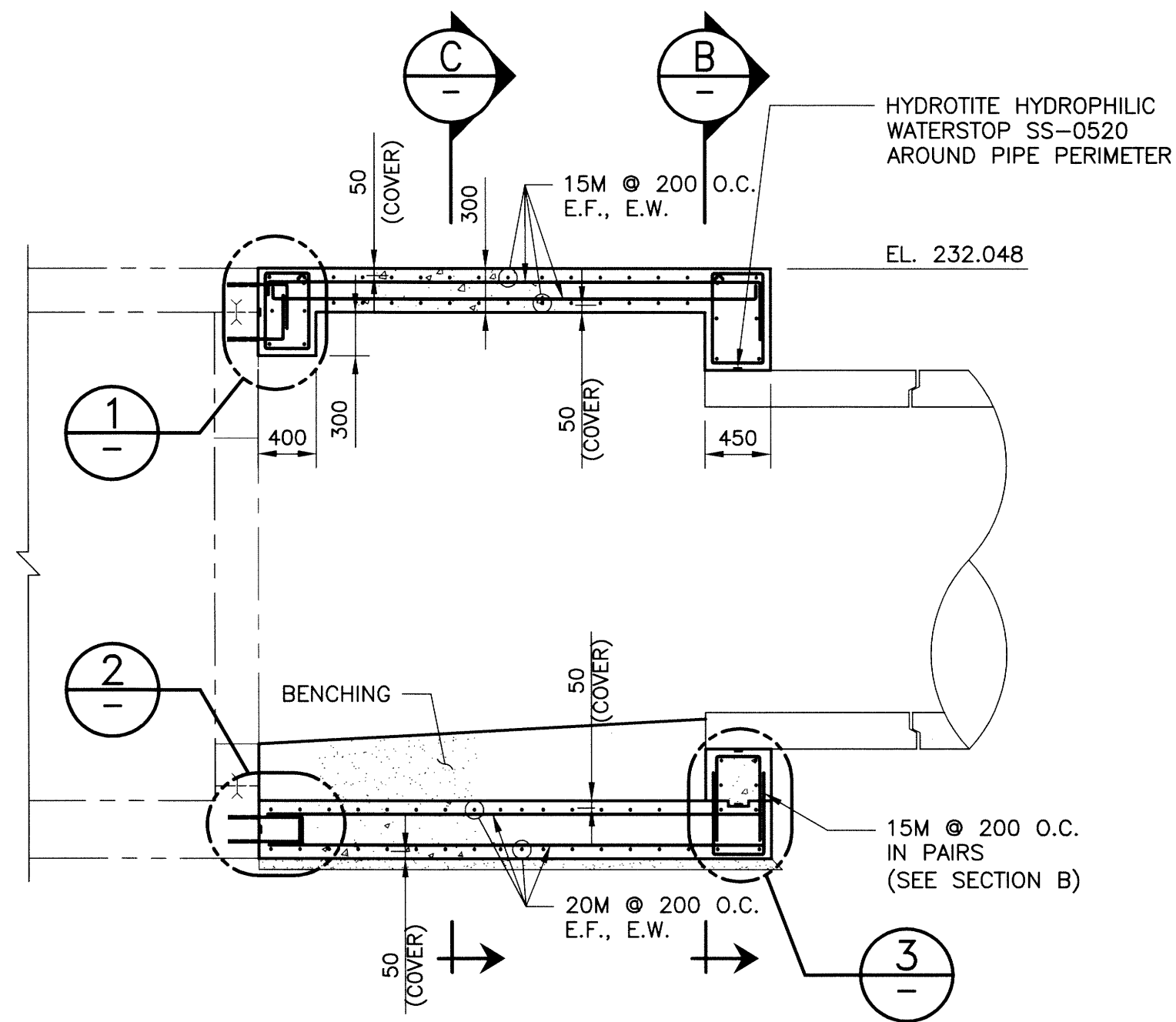
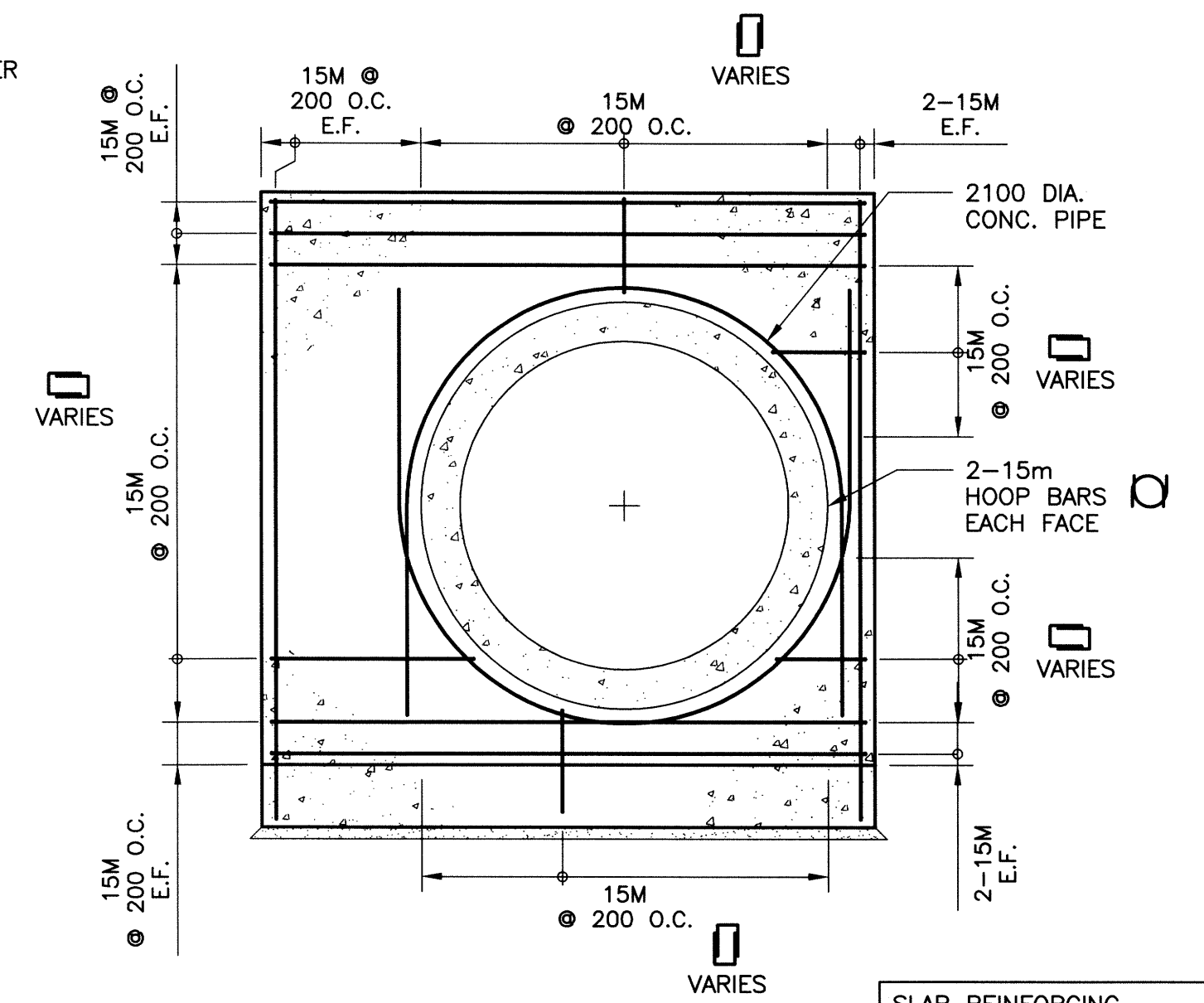


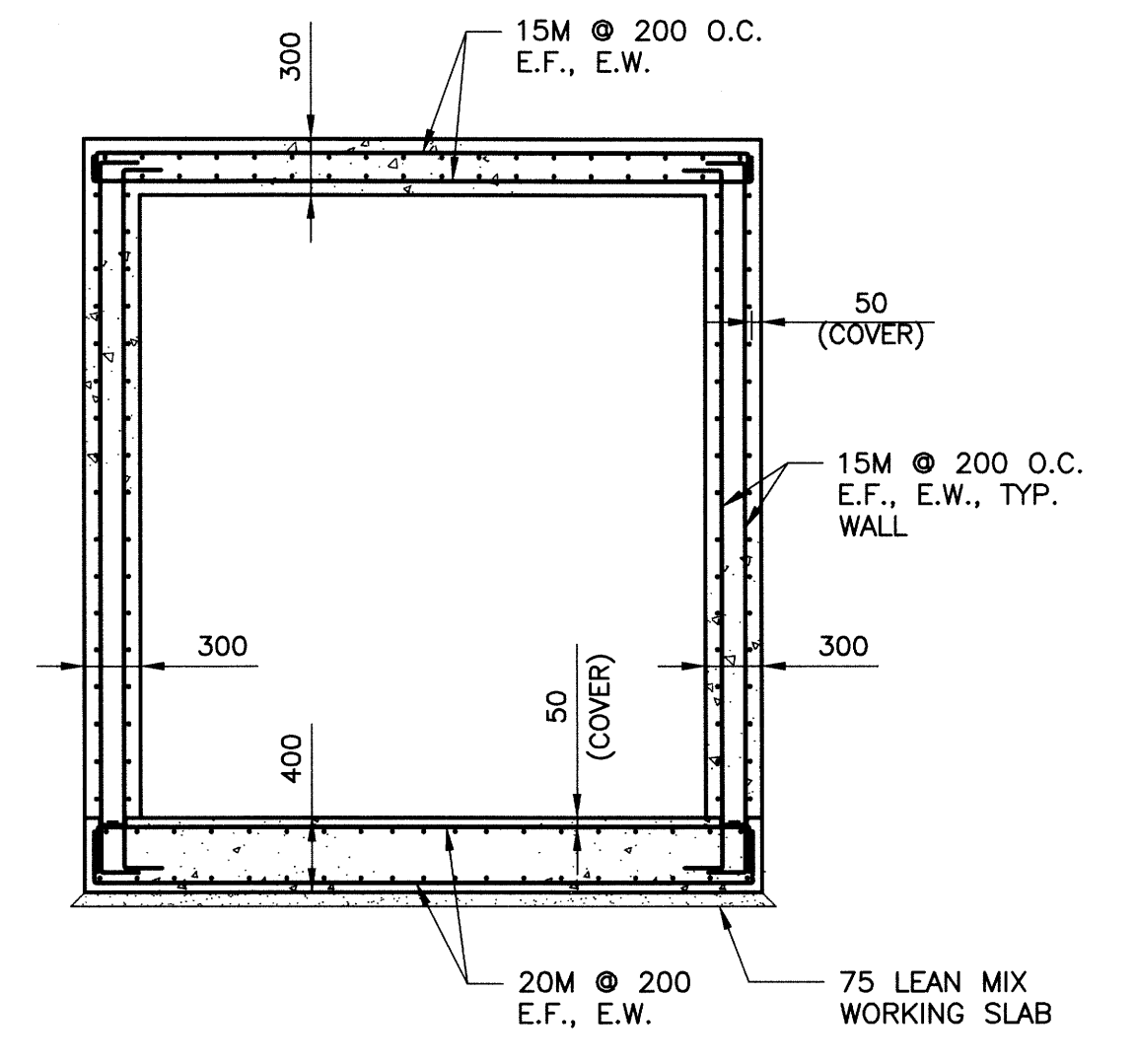
REINFORCING PLAN - EL. 231.747
 SCALE: 1:40



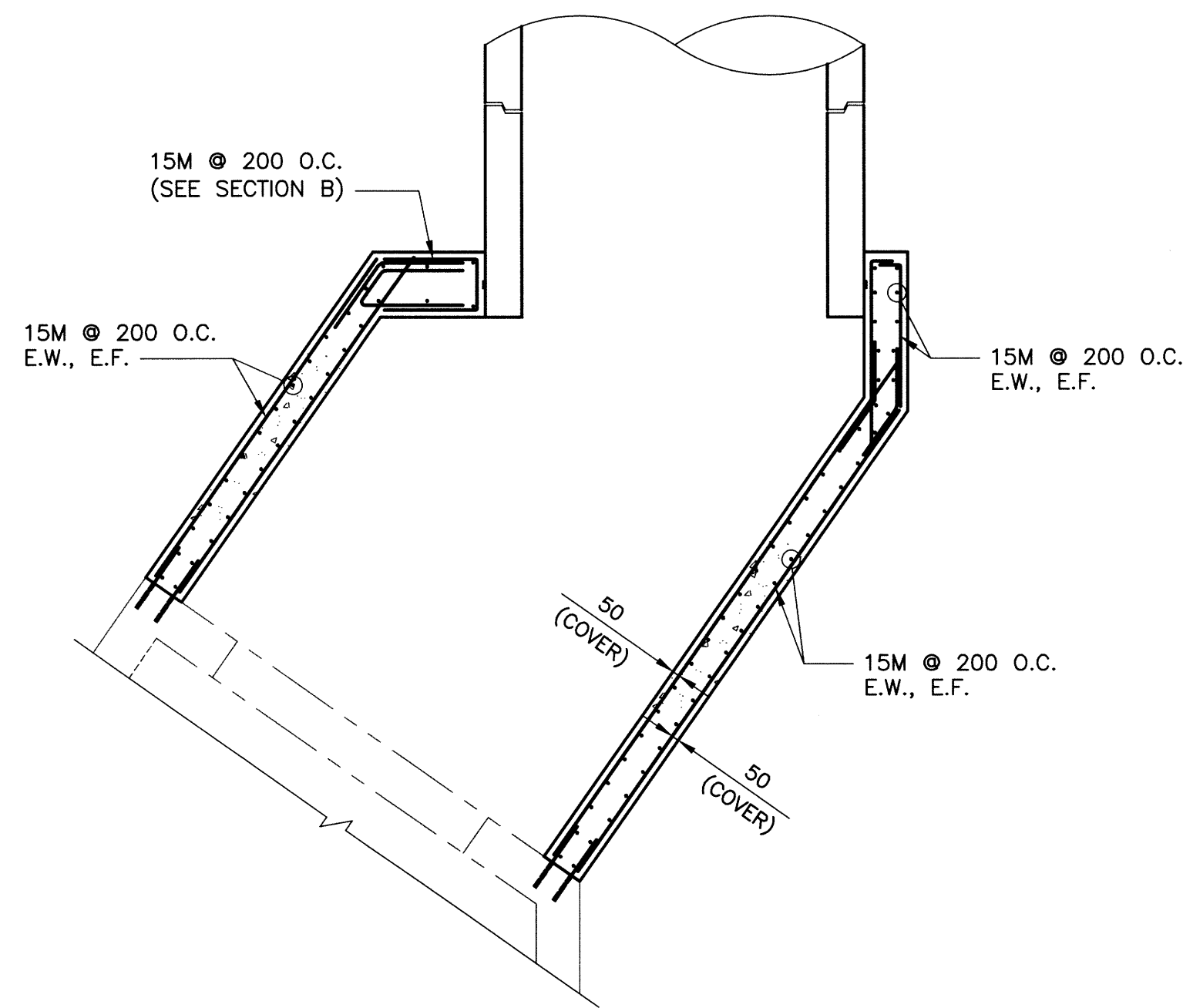
SECTION A
 SCALE: 1:40



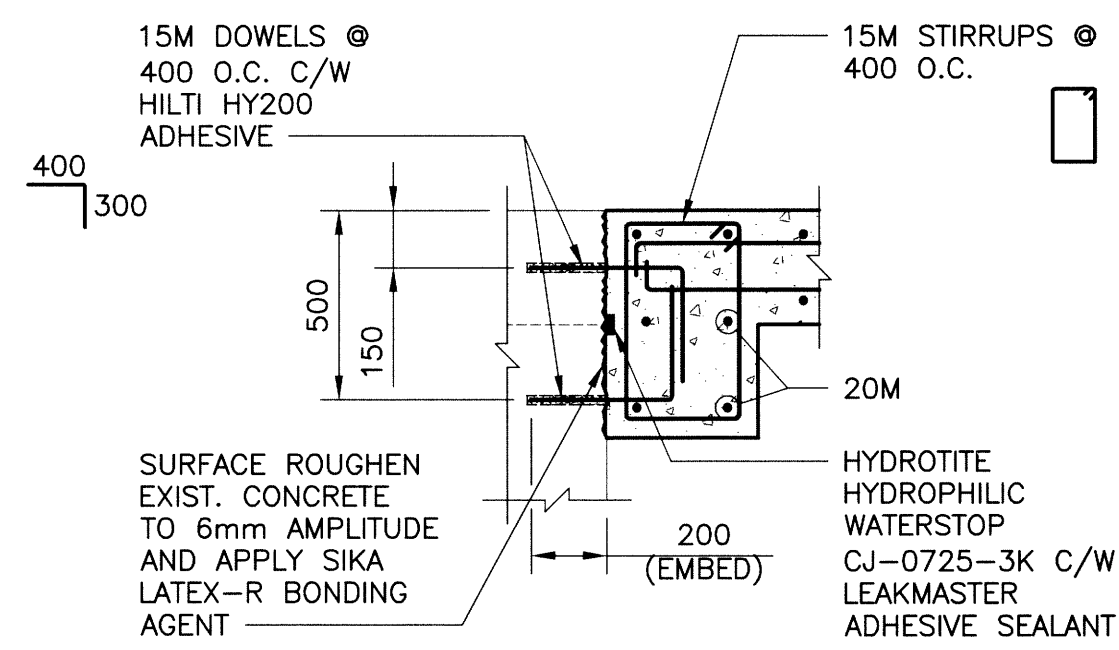
SECTION B
 SCALE: 1:40



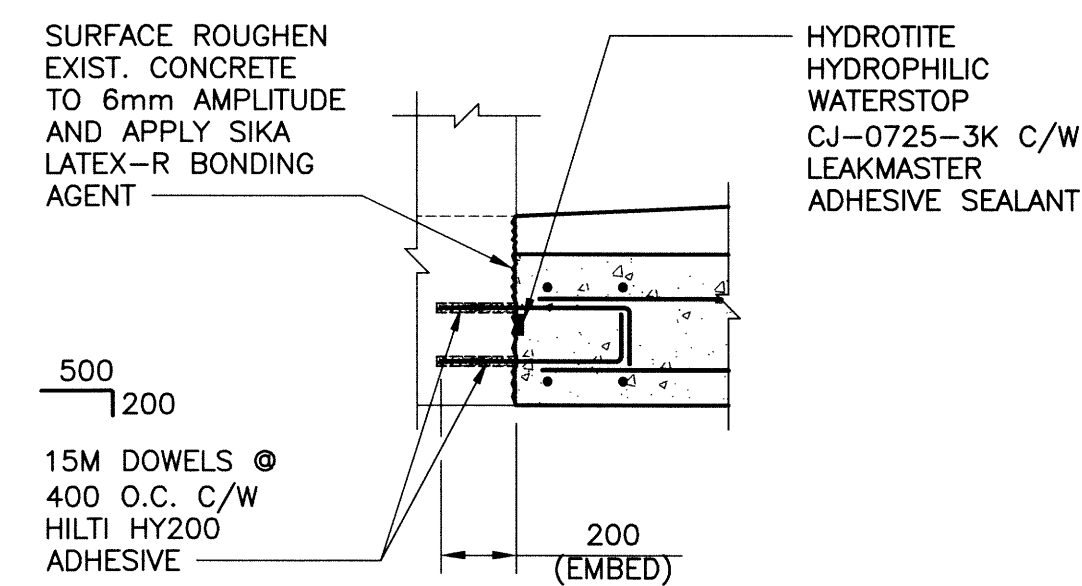
SECTION C
 SCALE: 1:40



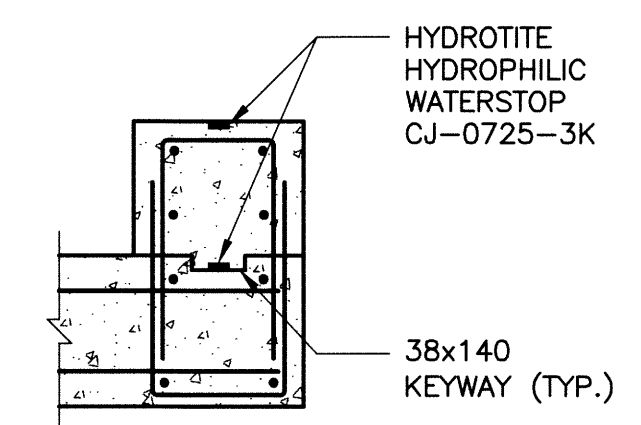
REINFORCING PLAN - EL. 230.100
 SCALE: 1:40



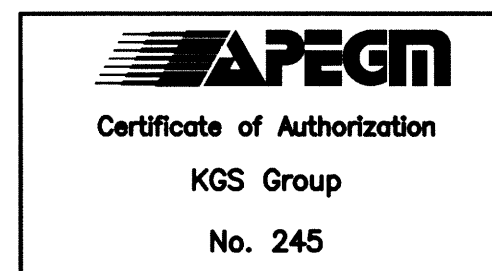
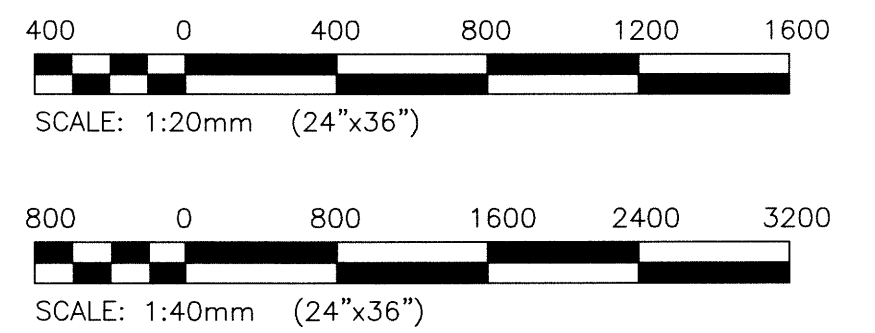
DETAIL 1
 SCALE: 1:20



DETAIL 2
 SCALE: 1:20



TYPICAL CONSTRUCTION JOINT DETAIL
 SCALE: 1:20



B.M. BRASS PLATE LOCATED IN GRADE BEAM OF ADMINISTRATION BUILDING ELEV. 234.059		CH2MHILL.		ENGINEER'S SEAL	
DESIGNED BY: KR D		CHECKED BY: CMS			
DRAWN BY: FBV		APPROVED BY: CMS			
SCALE: AS NOTED		RELEASED FOR CONSTRUCTION BY:			
DATE: 13/03/31		DATE:			
NO. REVISIONS		DATE		CONSULTANT NO.: 13-0338-002	
DESIGN		CHECK			

THE CITY OF WINNIPEG
 WATER AND WASTE DEPARTMENT

SOUTH END WATER POLLUTION CONTROL CENTRE
 SEWPPC UPGRADE/EXPANSION PROJECT
 STRUCTURAL
 SEWER BY-PASS PIPE
 CHAMBER #2 EXTENSION

CITY DRAWING NUMBER	SHEET	REV.	SIZE
1-0102-CUTY-Y003	002	00	A1