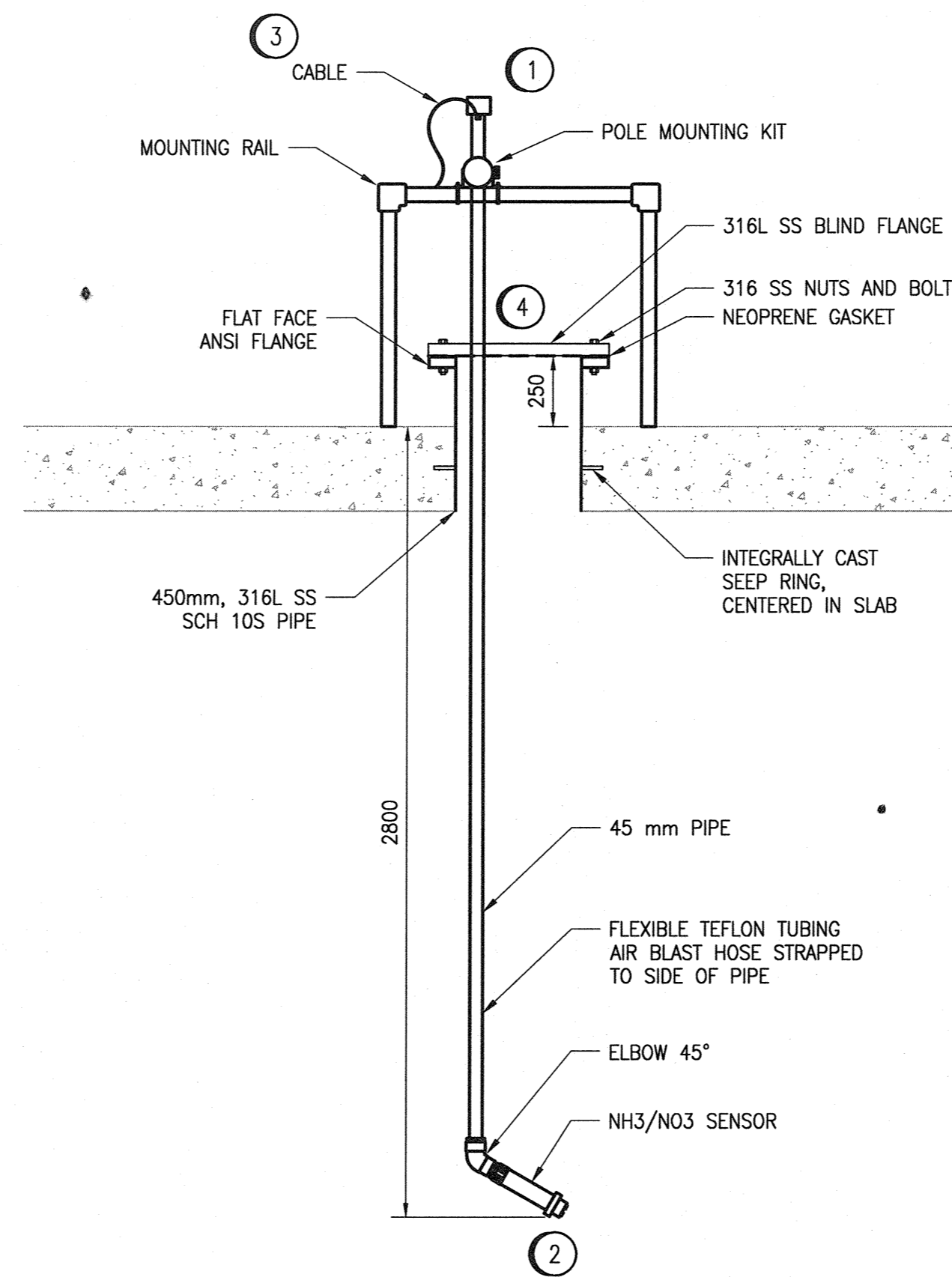


A COVERED TANK ORP SENSOR INSTALLATION
NTS



B COVERED TANK NH3/NO3 SENSOR INSTALLATION
NTS

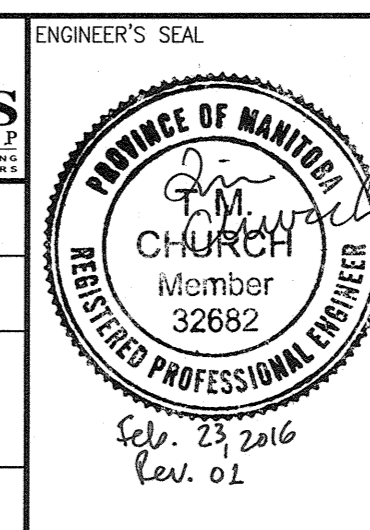
SPECIFIC NOTES:

- ① PROVIDE MOUNTING RAIL AS SHOWN TO MOUNT AND ADJUST SENSOR LOCATION.
- ② COORDINATE OPTIMAL SENSORS LOCATION WITH SENSORS VENDOR.
- ③ SENSOR CABLE TO BE SUPPORTED AND LONG ENOUGH TO PULL SENSOR MOUNTING PIPE OUT OF TANK. ALLOW FOR DISCONNECTING OF AIR BLAST HOSE NEAR POLE MOUNT TO ALLOW FOR THE REMOVAL OF SENSOR.
- ④ PROVIDE BLIND FLANGE COVER TO ALLOW FOR EASY INSTALLATION AND REMOVAL OF SENSOR. PROVIDE WEATHERPROOF SEAL FOR ENTRY POINT OF MOUNTING POLE AND AIR BLAST TUBING.



NO.	REVISIONS	DATE	DESIGN	CHECK
01	ISSUED FOR ADD. 2 - B.O. 899-2015	02/2016	SSB	TMC
00	ISSUED FOR TENDER - B.O. 899-2015	01/2016	SSB	TMC

CH2MHILL.	
DESIGNED BY: S. BOGHOSIAN	CHECKED BY: T. CHURCH
DRAWN BY: S. BOGHOSIAN	APPROVED BY: T. CHURCH
SCALE: NTS	ISSUED FOR CONSTRUCTION BY: T. TURZAK
DATE: 2015/12/14	DATE: 2016/01/29
CONSULTANT NO.: 474248	



THE CITY OF WINNIPEG WATER AND WASTE DEPARTMENT	
SOUTH END WATER POLLUTION CONTROL CENTRE SEWPPC UPGRADING/EXPANSION PROJECT AUTOMATION - INSTALLATION DETAILS BIOREACTOR/BLOWER BUILDING ANALYSIS INSTRUMENTS	
CITY DRAWING NUMBER 1-0102-ADTL-R001	SHEET 002
REV. 01	SIZE A1