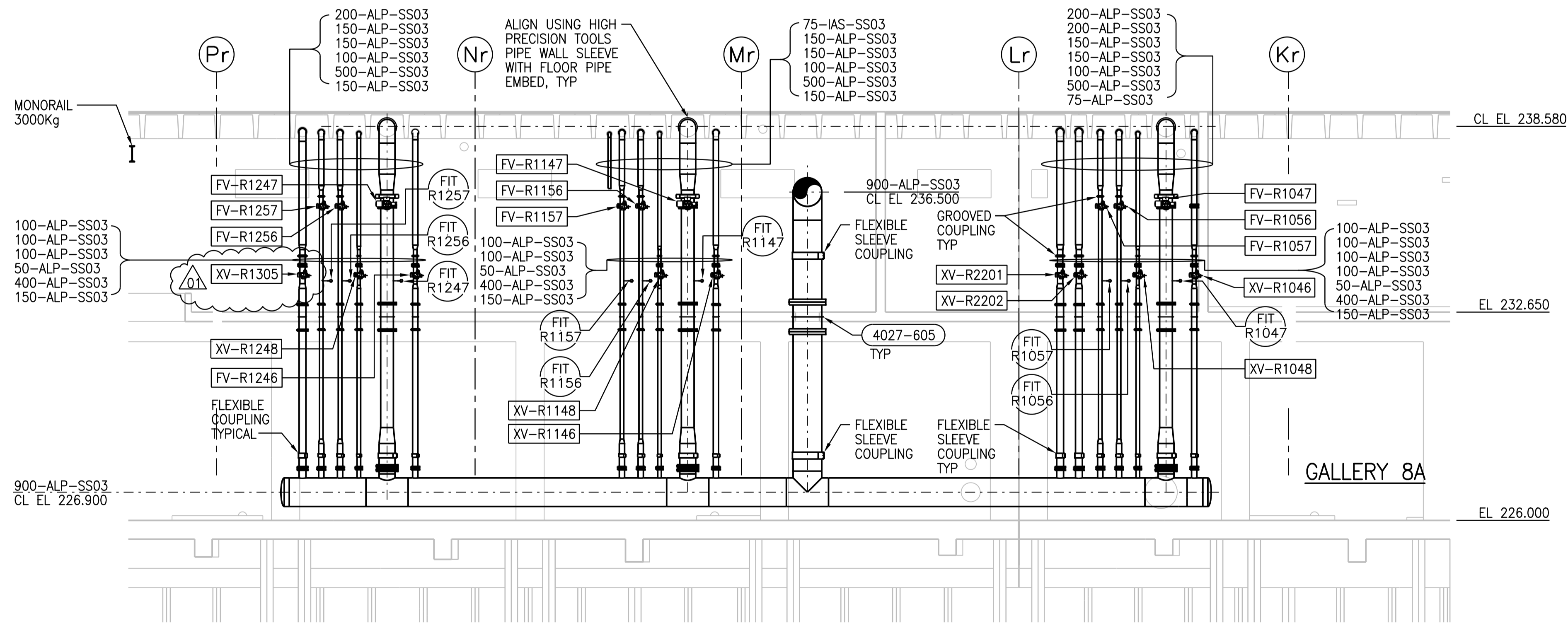
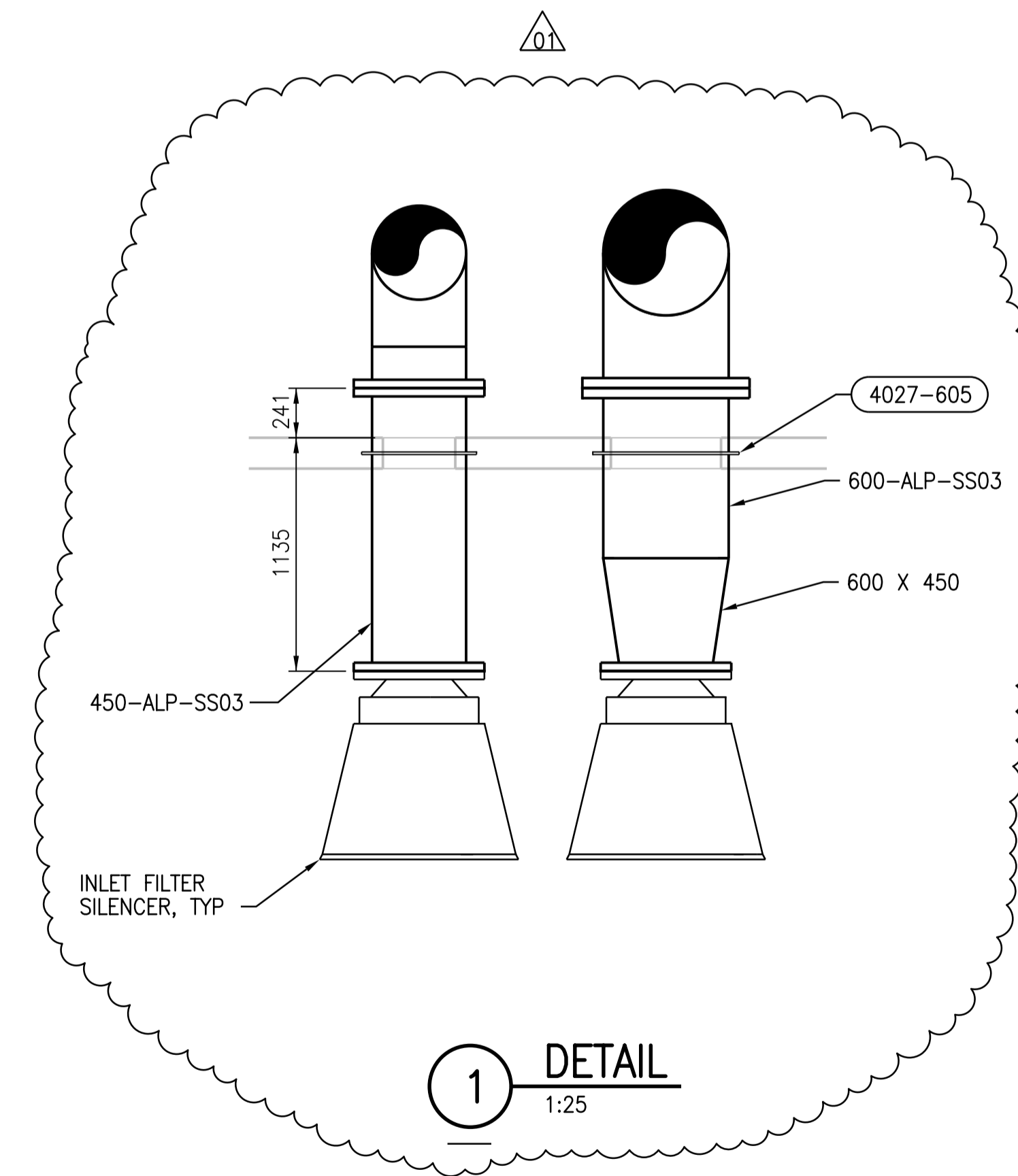


G SECTION
1:100
PGAD-R001
PGAD-R005
PGAD-R009
PGAD-R013

H SECTION
1:100
PGAD-R001
PGAD-R005
PGAD-R009
PGAD-R013



H1 SECTION
1:100
PGAD-R001
PGAD-R005
PGAD-R009
PGAD-R013



NO.	REVISIONS	DATE	DESIGN	CHECK
01	ISSUED FOR ADD. 2 - B.O. 899-2015	02/2016	B.C.	J.C.
00	ISSUED FOR TENDER - B.O. 899-2015	01/2016	B.C.	J.C.

CH2MHILL		KCS GROUP	
SNC-LAVALIN		ENGINEER'S SEAL	
DESIGNED BY: F. ABSI	CHECKED BY: B. EDGAR		
DRAWN BY: B. COOPER	APPROVED BY: H.T. FREIHAMMER		
SCALE: AS SHOWN	ISSUED FOR CONSTRUCTION BY: T. TURZAK		
DATE: 2016/01/29		DATE: 2016/01/29	
CONSULTANT NO.: 474248			

THE CITY OF WINNIPEG
Winnipeg WATER AND WASTE DEPARTMENT

SOUTH END WATER POLLUTION CONTROL CENTRE
SEWPC UPGRADING/EXPANSION PROJECT
PROCESS
BIOREACTORS/BLOWER BUILDING
SECTIONS G, H, H1 AND DETAIL

CITY DRAWING NUMBER: 1-0102-PGAD-R017
SHEET: 001
REV: 01
SIZE: A1