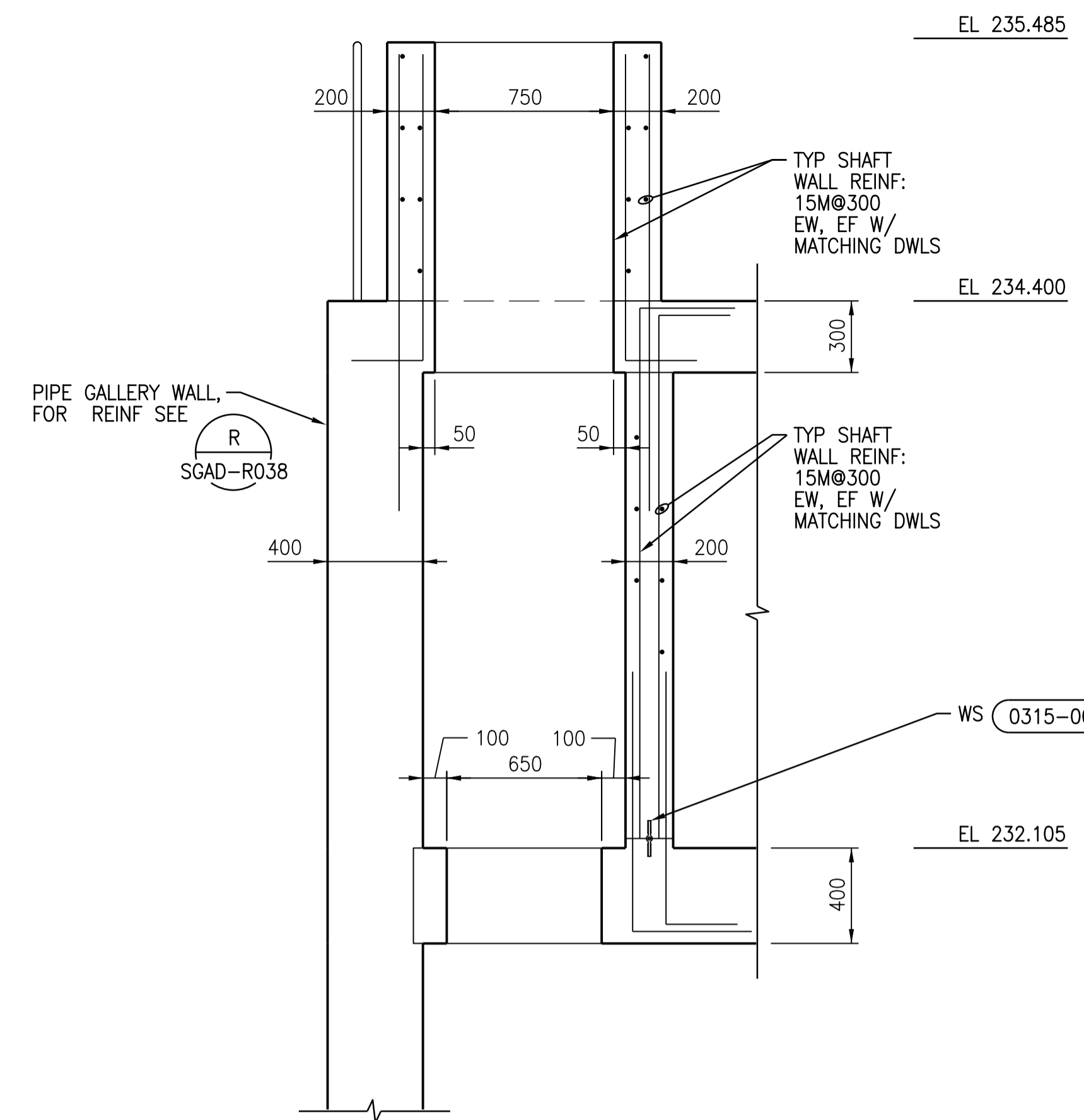
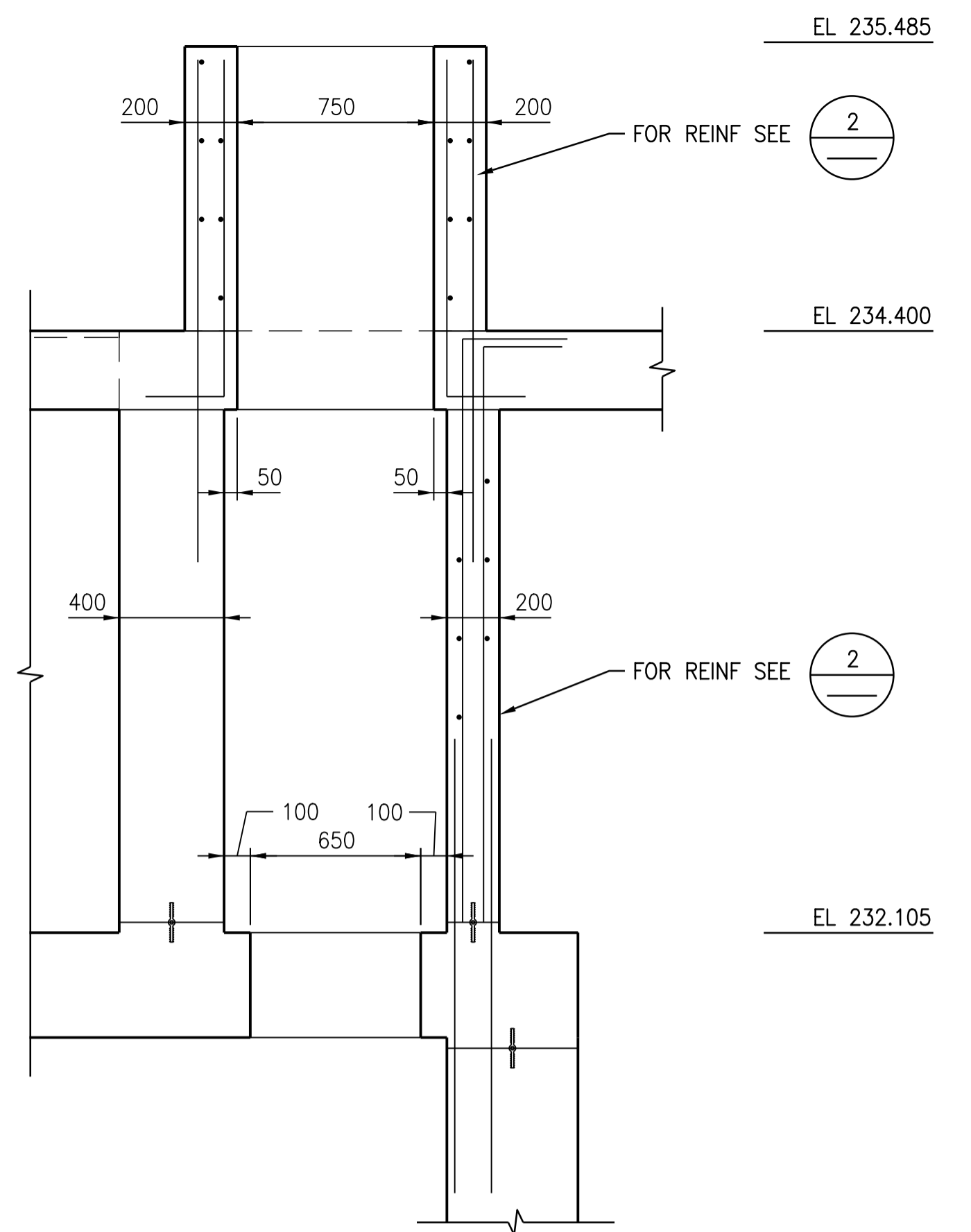


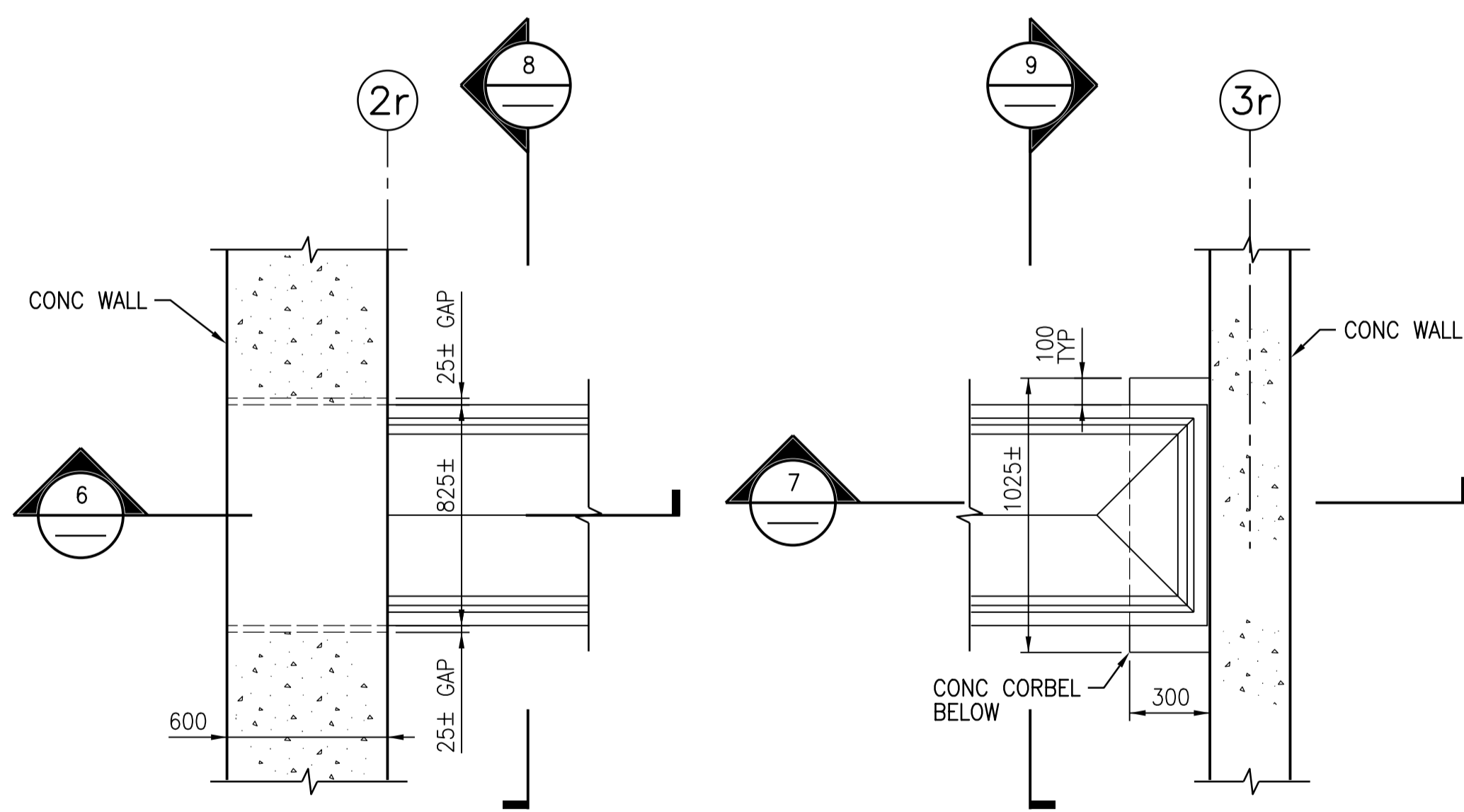
1 DETAIL
1:20
SGAD-R006, SGAD-R010



SECTION
2 DETAIL
1:20

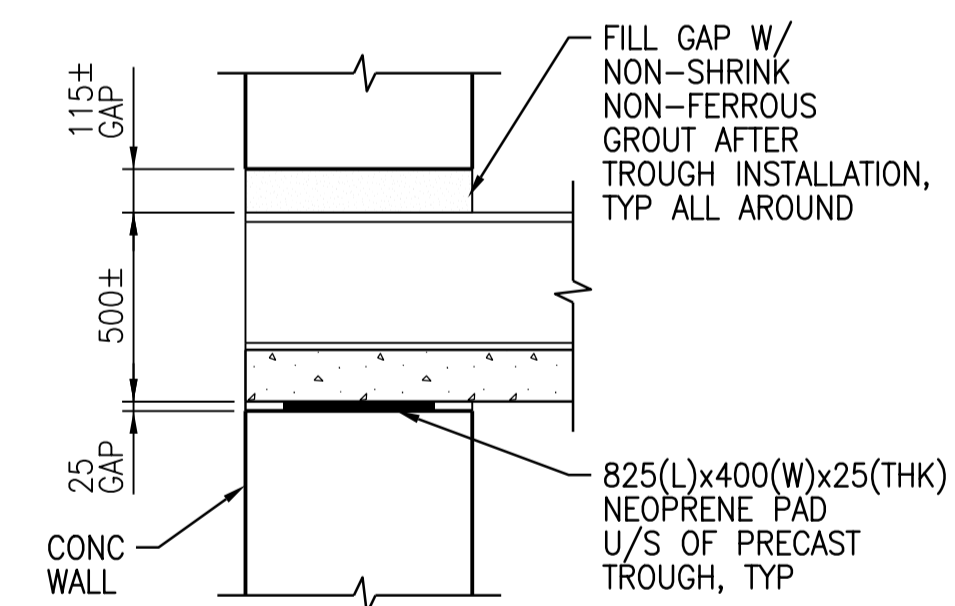


SECTION
3 DETAIL
1:20

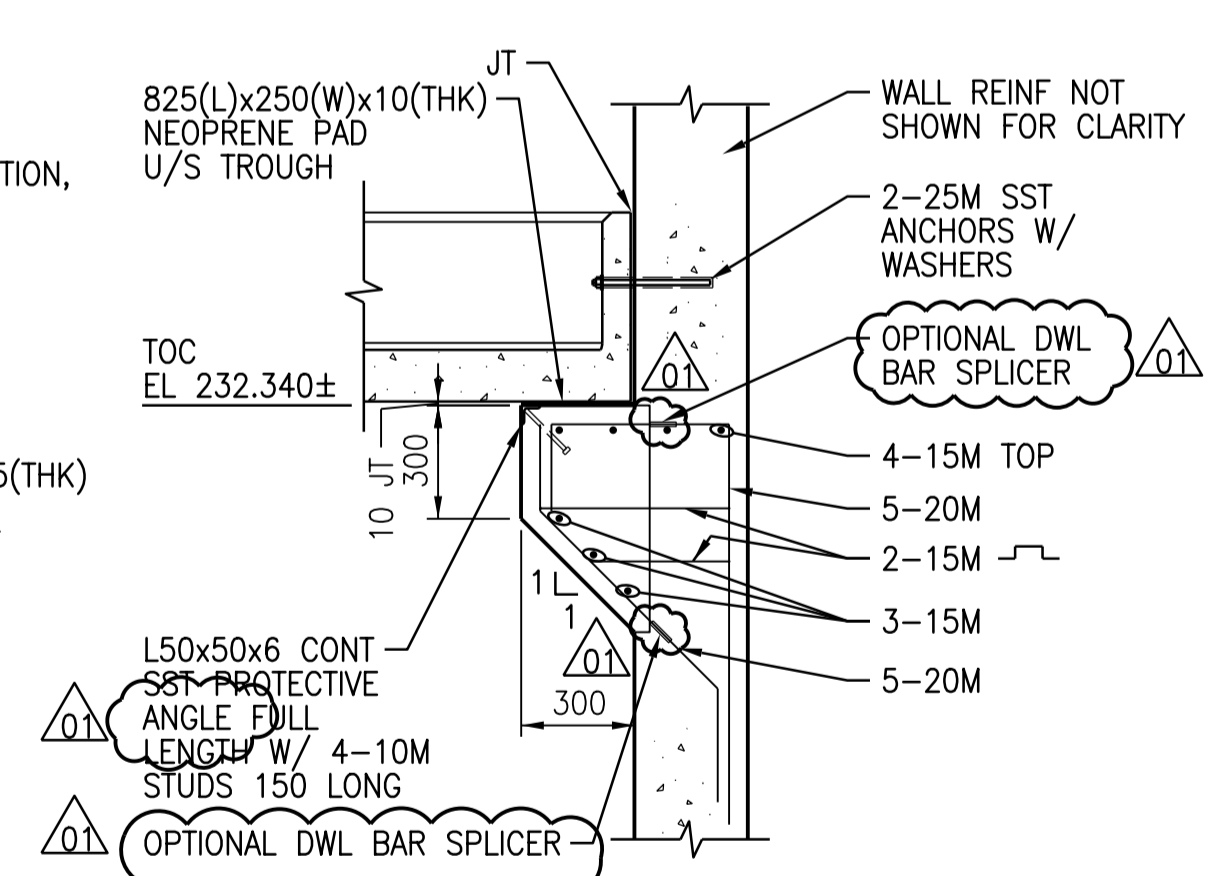


PLAN
4 DETAIL
1:20
SGAD-R006, SGAD-R007, SGAD-R008

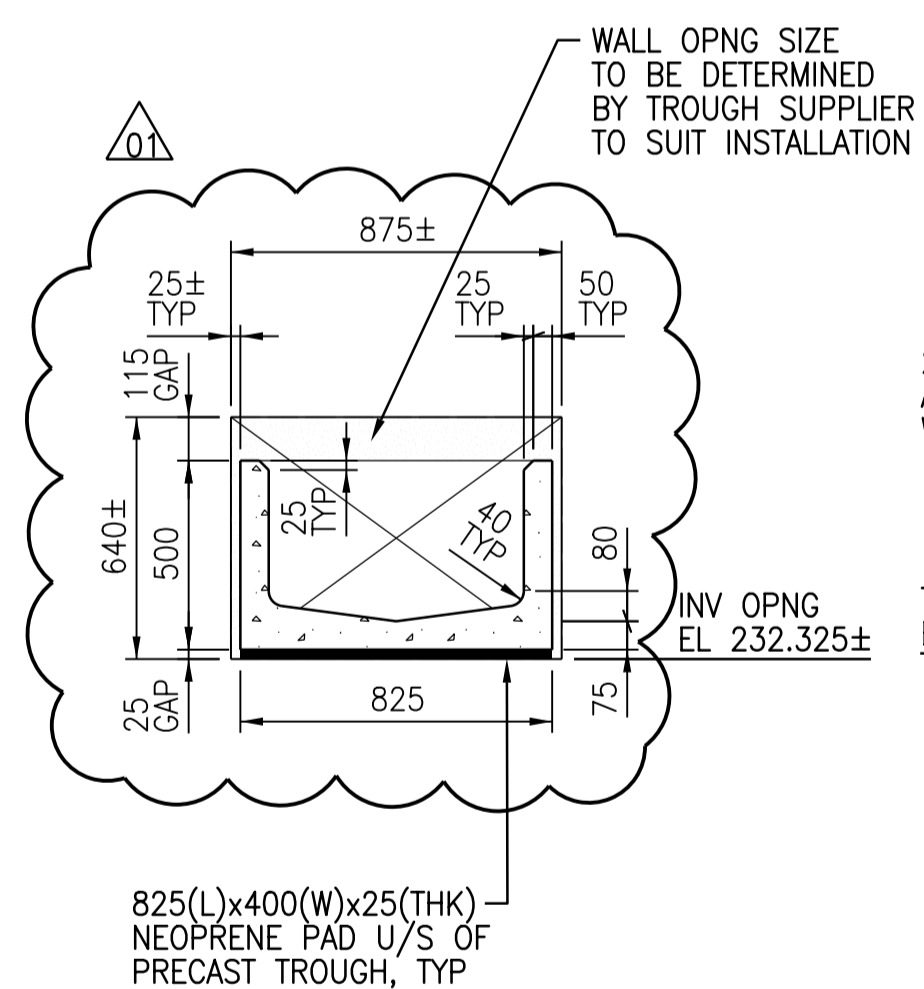
PLAN
5 DETAIL
1:20
SGAD-R006, SGAD-R007, SGAD-R008



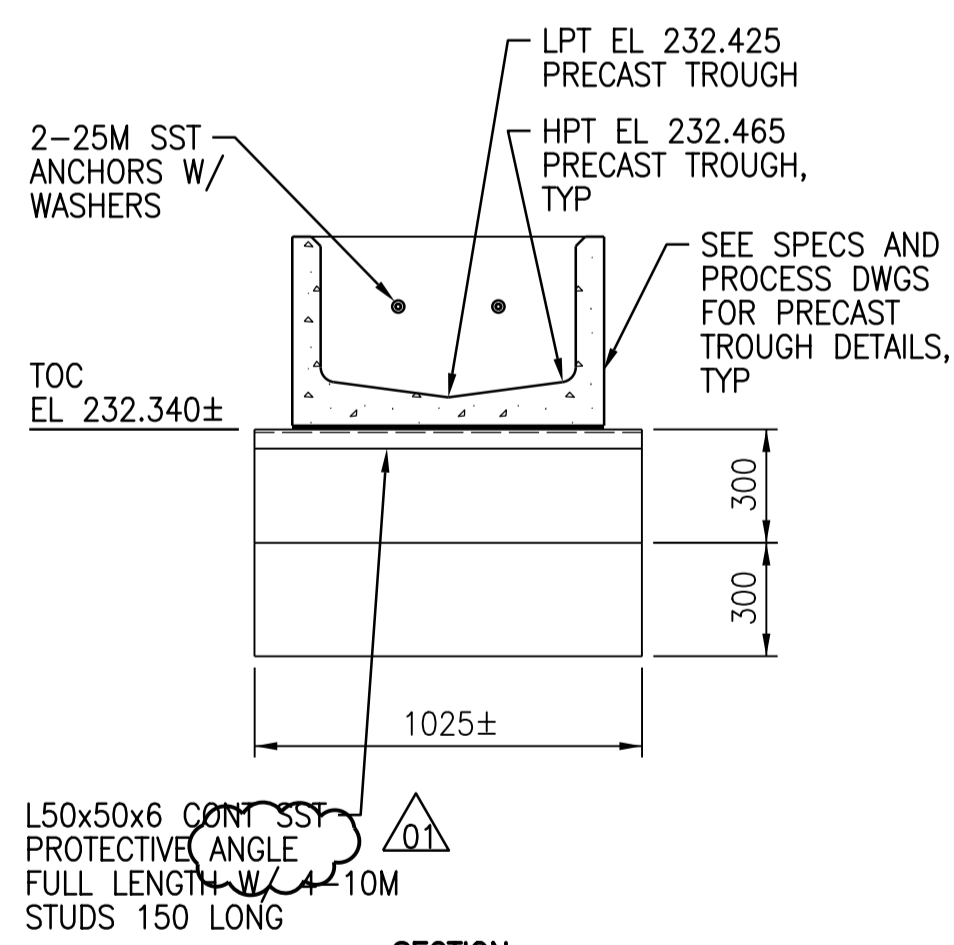
SECTION
6 DETAIL
1:20



SECTION
7 DETAIL
1:20



SECTION
8 DETAIL
1:20



SECTION
9 DETAIL
1:20



NO.	REVISIONS	DATE	DESIGN	CHECK
01	ISSUED FOR ADD. 2 - B.O. 899-2015	02/2016	C.R.	J.C.
00	ISSUED FOR TENDER - B.O. 899-2015	01/2016	C.R.	J.C.

CH2MHILL		ENGINEER'S SEAL	
SNC-LAVALIN		24/02/2016	
DESIGNED BY: J. THANNICKAL	CHECKED BY: E. LUI		
DRAWN BY: C. RYNARD	APPROVED BY: H.T. FREIHAMMER		
SCALE: AS NOTED	ISSUED FOR CONSTRUCTION BY: T. TURZAK		
DATE: 2016/01/29	DATE: 2016/01/29		
CONSULTANT NO.: 474248			

THE CITY OF WINNIPEG
Winnipeg WATER AND WASTE DEPARTMENT

SOUTH END WATER POLLUTION CONTROL CENTRE
SEWPC UPGRADING/EXPANSION PROJECT
STRUCTURAL
BIOREACTORS/BLOWER BUILDING
DETAILS

CITY DRAWING NUMBER: 1-0102-SDTL-R002 SHEET: 01 REV: 01 SIZE: A1