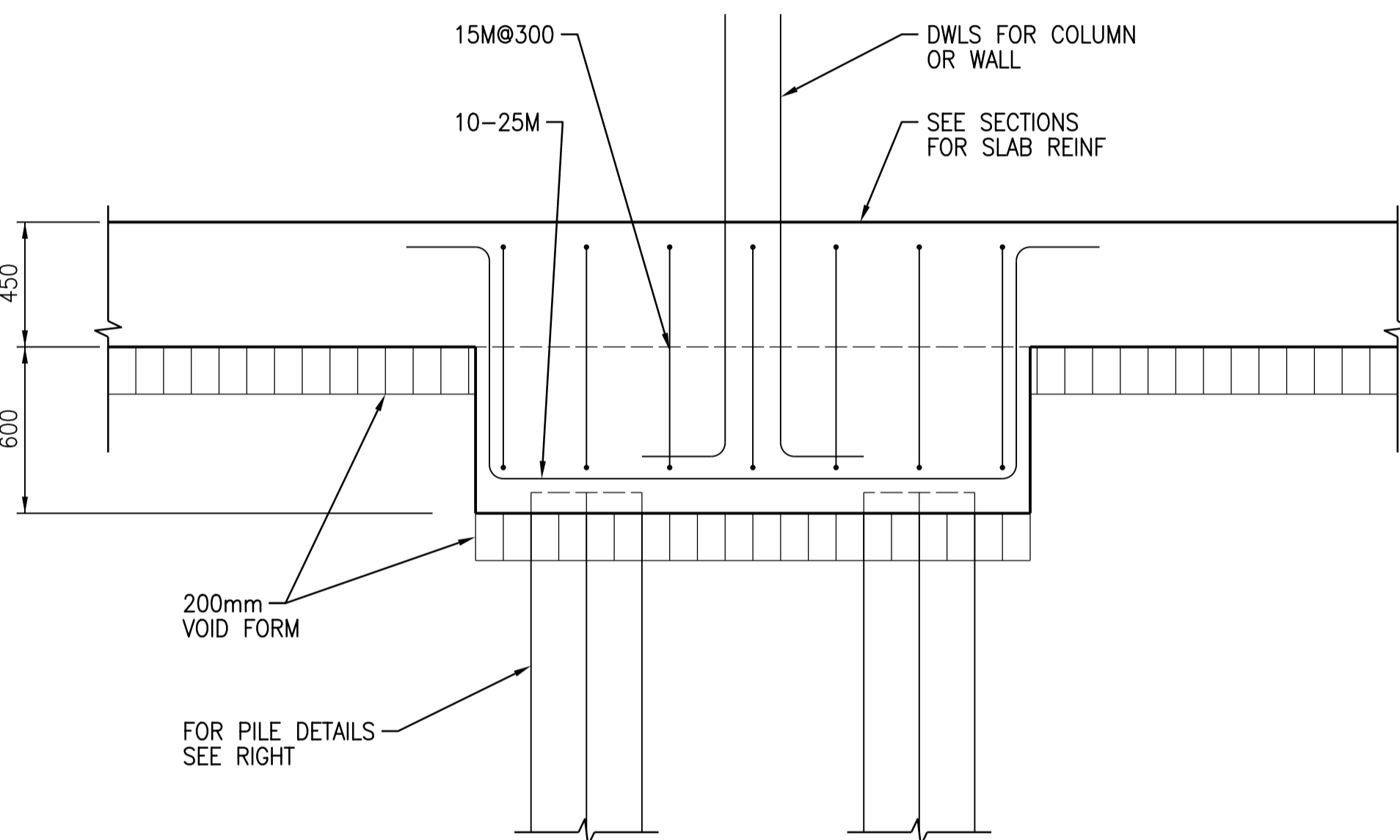
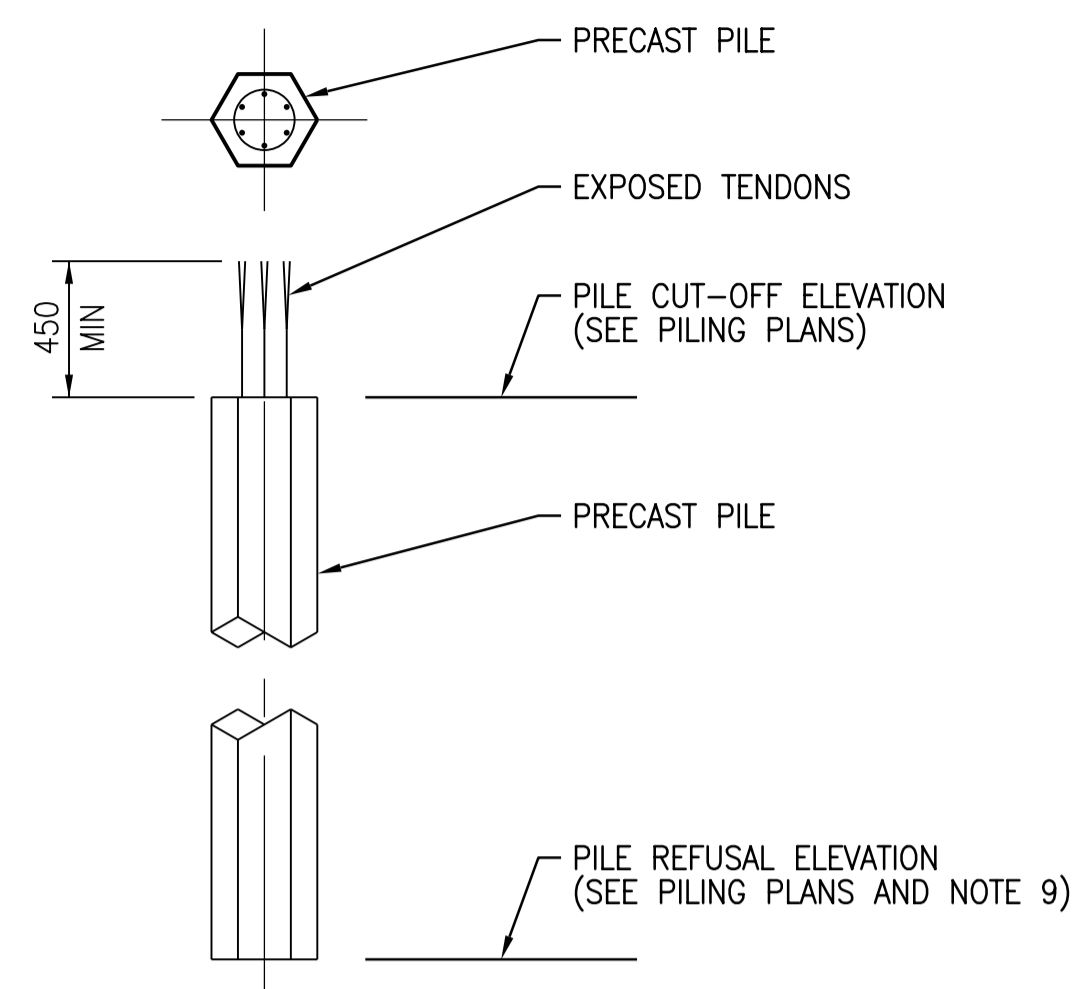


PLAN



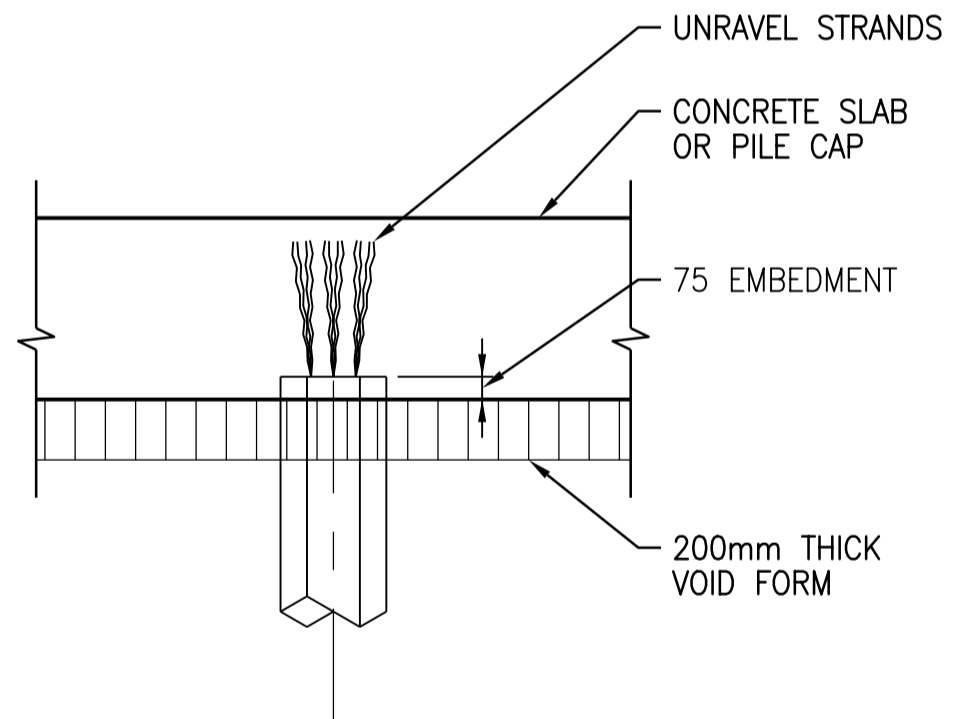
SECTION

1 PILE CAP DETAIL
1:20

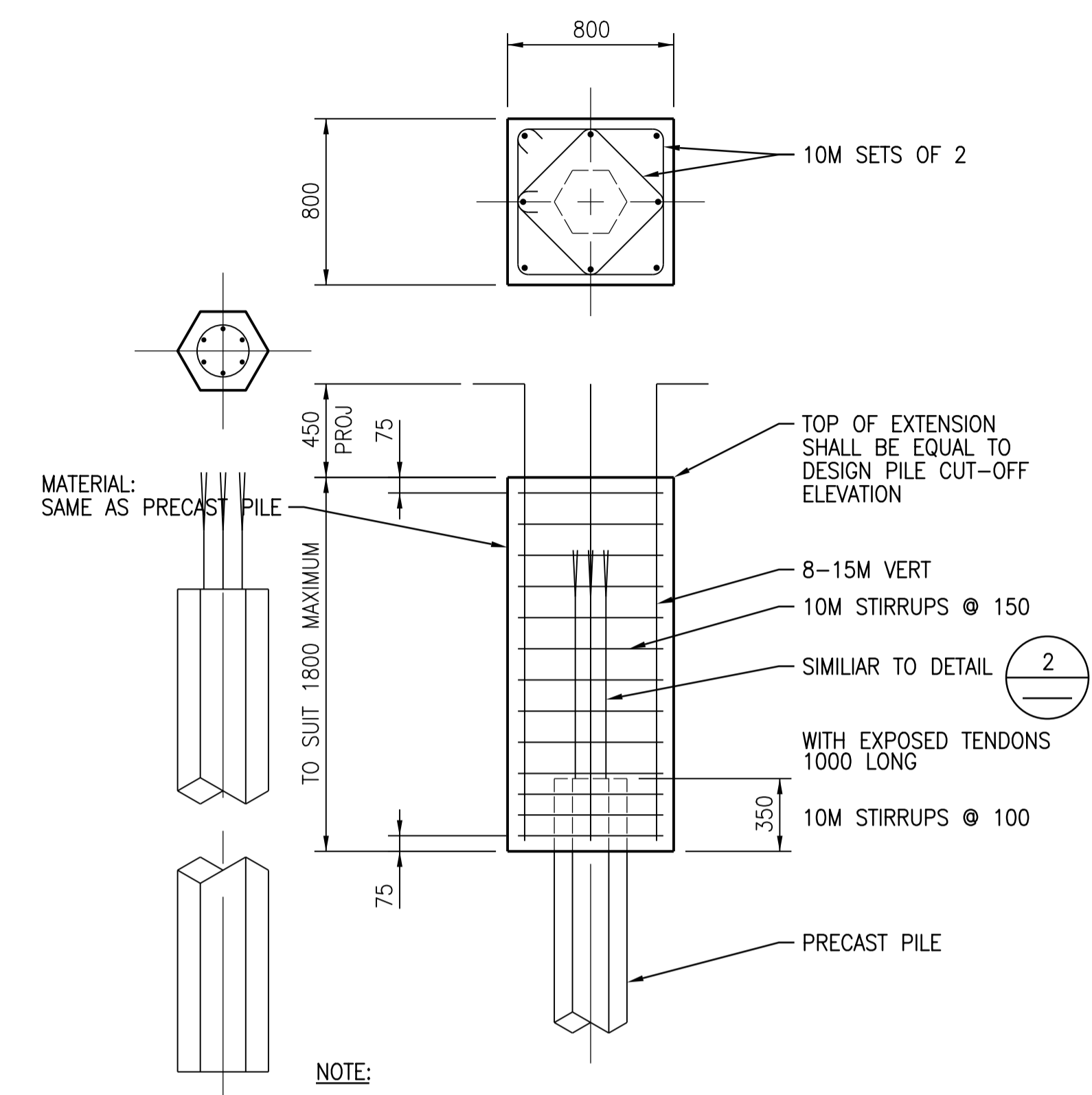


TYPICAL PILE CUT-OFF

2 DETAIL
1:25



4 DETAIL
1:25



TYPICAL CAST IN PLACE PILE EXTENSION

3 DETAIL
1:25

NOTE:
1. THIS PILE EXTENSION DETAIL APPLIES TO PILES DRIVEN A MAXIMUM OF 900mm LOWER THAN EXPECTED.



01	ISSUED FOR ADD. 2 - B.O. 899-2015	02/2016	G.O.	J.C.
00	ISSUED FOR TENDER - B.O. 899-2015	01/2016	G.O.	J.C.
NO.	REVISIONS	DATE	DESIGN	CHECK

CH2MHILL		KGS GROUP	
DESIGNED BY: E. LUI	CHECKED BY: R. PARIKH	ENGINEER'S SEAL	
DRAWN BY: G. OMORI	APPROVED BY: H.T. FREIHAMMER	24/02/2016	
SCALE: AS NOTED	ISSUED FOR CONSTRUCTION BY: T. TURZAK	PROVINCE OF MANITOBA S.L.E. LUI Member 37003	
DATE: 2016/01/29	DATE: 2016/01/29	REGISTERED PROFESSIONAL ENGINEER	
CONSULTANT NO.: 474248		Edwin	

SOUTH END WATER POLLUTION CONTROL CENTRE SEWPCC UPGRADING/EXPANSION PROJECT STRUCTURAL SECONDARY CLARIFIERS 4 AND 5 DETAILS		
CITY DRAWING NUMBER 1-0102-SDTL-S001	SHEET 001	REV. 01
SIZE A1		