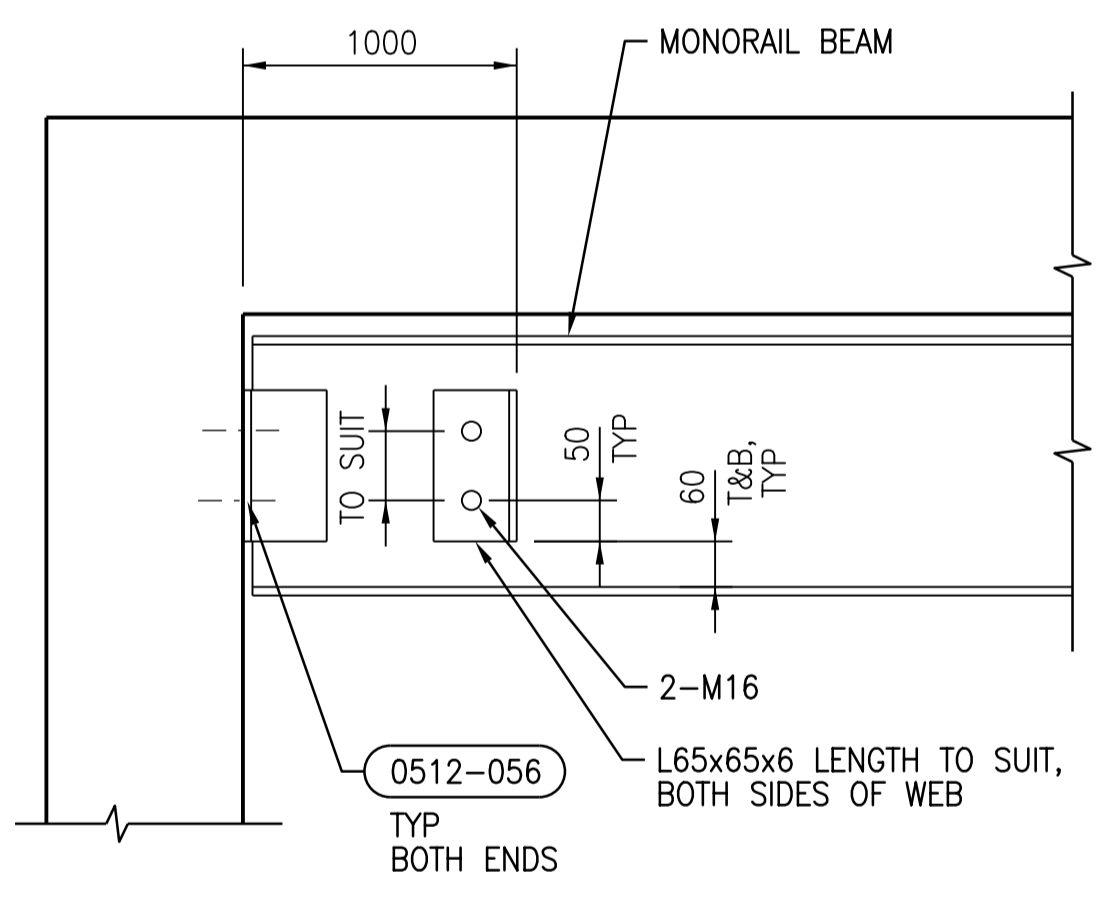
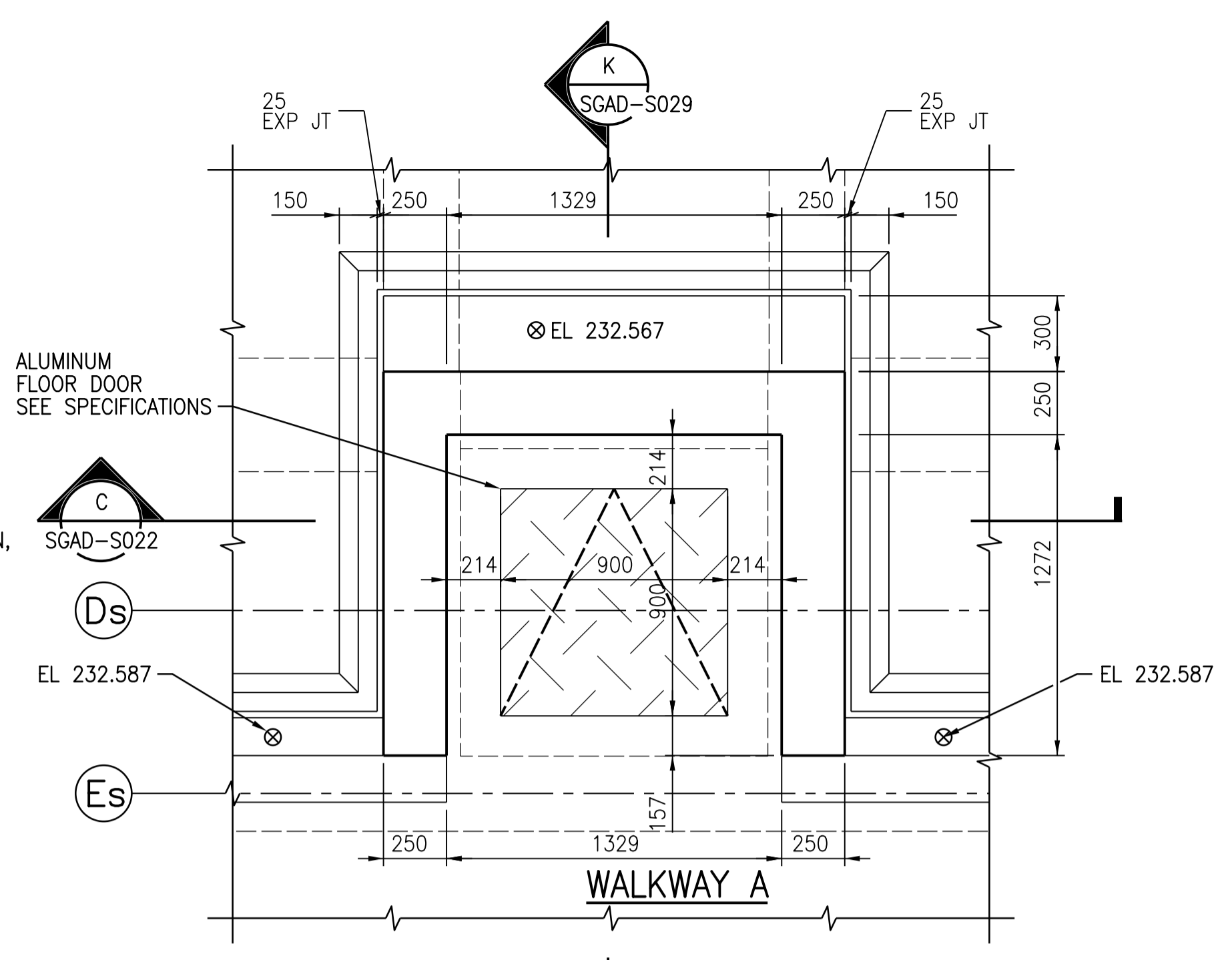


1 **DETAIL**
NTS
SGAD-S017,
SGAD-S028

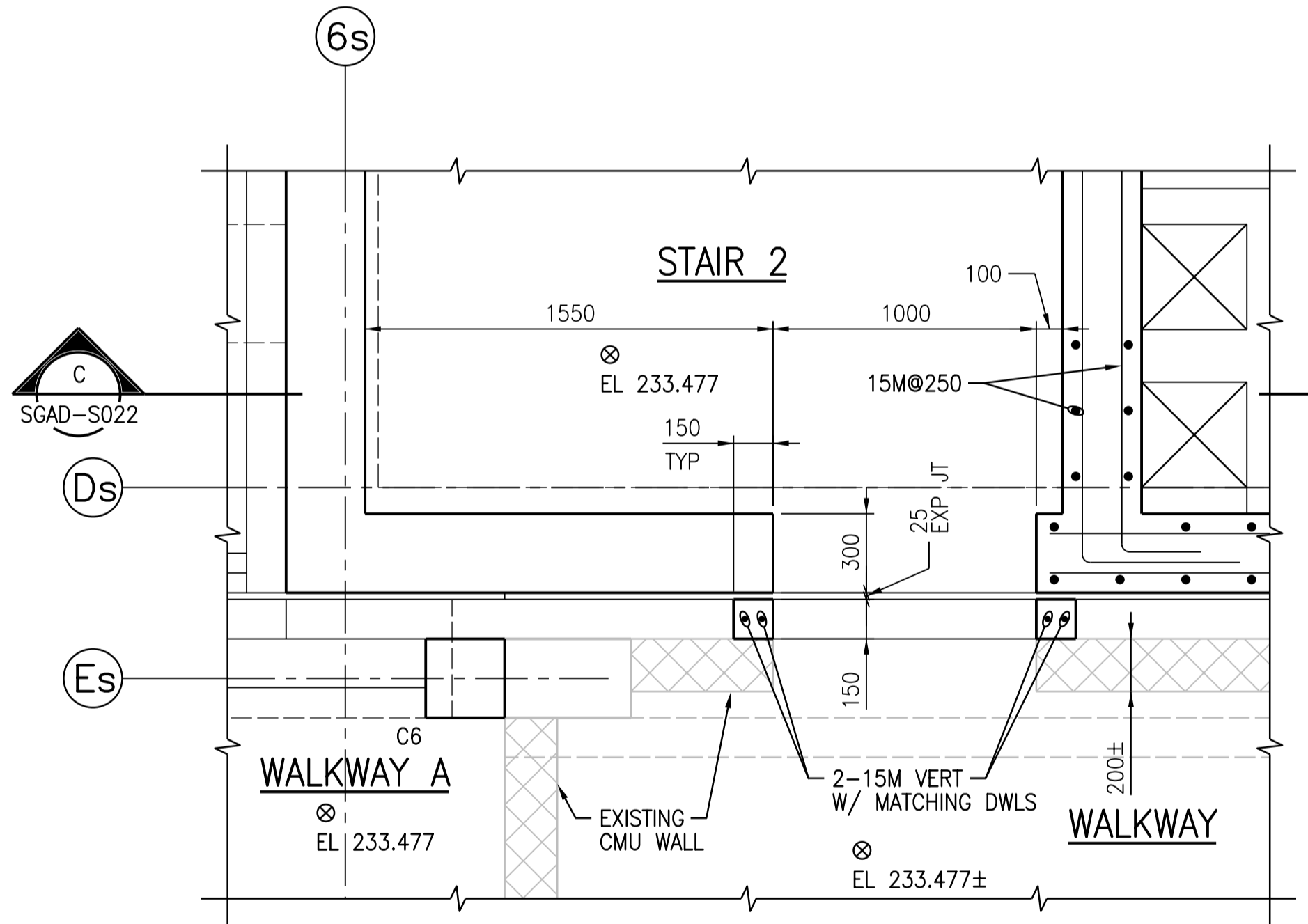
- NOTES:**
1. PROVIDE ONE MIDDLE CONNECTION ASSEMBLY ITEM AT MIDPOINT OF STEEL BEAM.
 2. MONORAIL CAPACITY = 2.0 TONNE



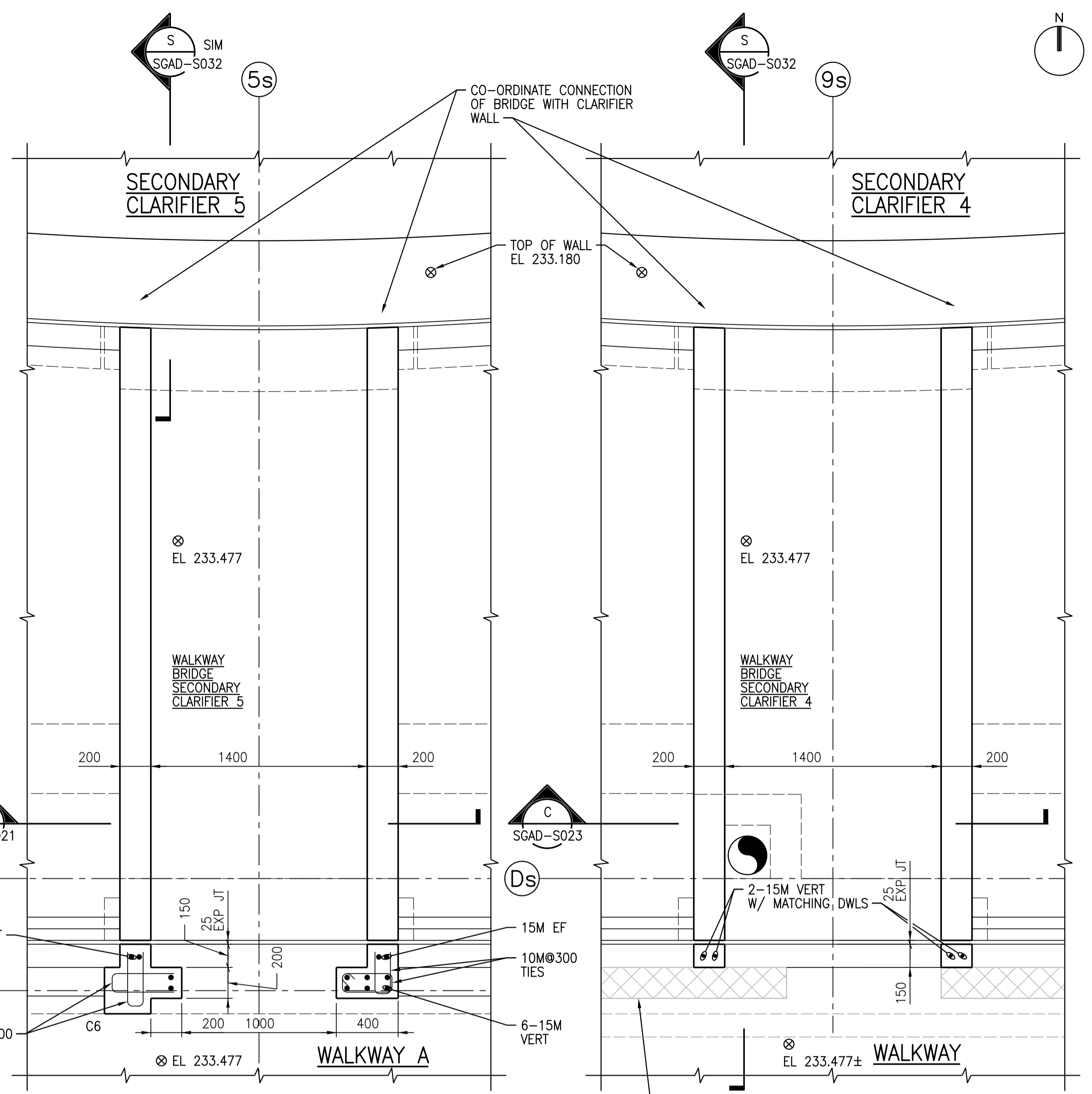
2 **DETAIL**
NTS
SGAD-S017,
SGAD-S028



3 **DETAIL**
1:20
SGAD-S014



4 **DETAIL**
1:20
SGAD-S014



5 **DETAIL**
1:20
SGAD-S014

6 **DETAIL**
1:20
SGAD-S015



SNC-LAVALIN DESIGNED BY: A THAKKAR DRAWN BY: G. OMORI SCALE: AS NOTED				CHECKED BY: R. PARIKH APPROVED BY: H.T. FREIHAMMER ISSUED FOR CONSTRUCTION BY: T. TURZAK DATE: 2016/01/29		SOUTH END WATER POLLUTION CONTROL CENTRE SEWPCC UPGRADING/EXPANSION PROJECT STRUCTURAL SECONDARY CLARIFIERS 4 AND 5 DETAILS		CITY DRAWING NUMBER: 1-0102-SDTL-S010 SHEET: 001 REV: 01 SIZE: A1	
01 ISSUED FOR ADD. 2 - B.O. 899-2015 02/2016 G.O. J.C.		02/2016 G.O. J.C.		DATE: 2016/01/29 CONSULTANT NO.: 474248		REVISIONS:		PLOT DATE: 2/24/2016 FILE NAME:	