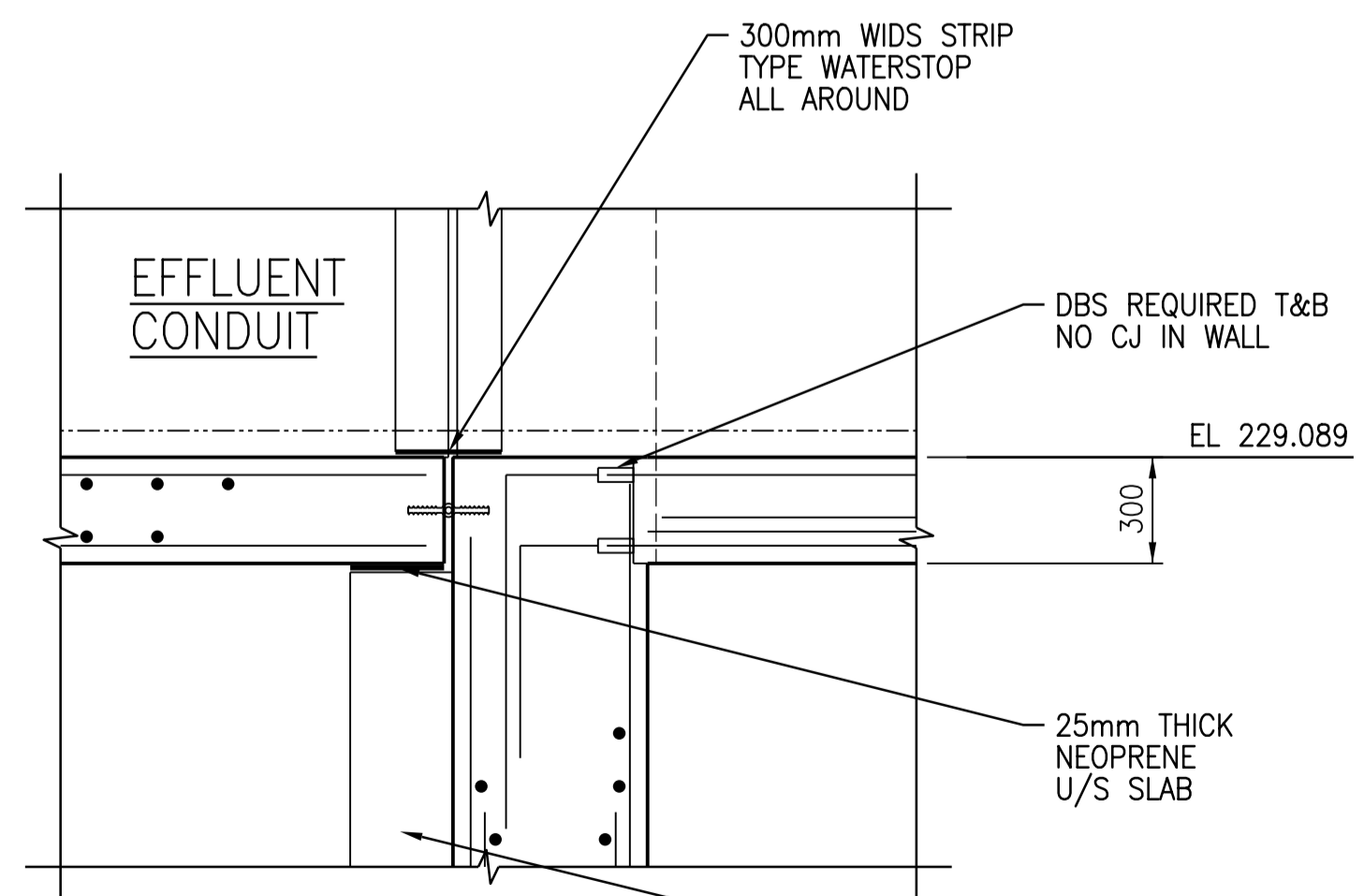
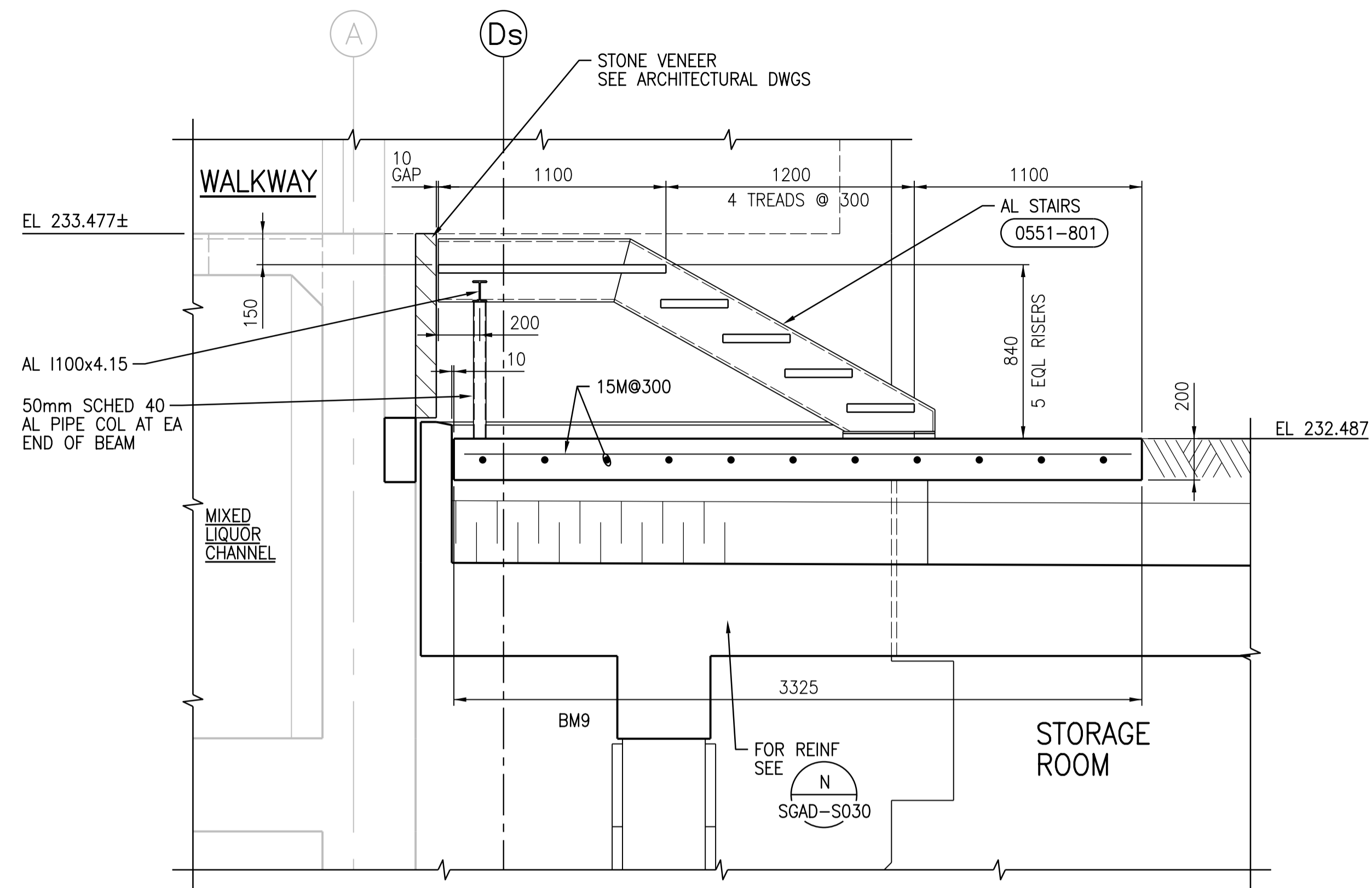


**1** DETAIL  
1:20  
SGAD-S032



**2** DETAIL  
1:20  
SGAD-S020

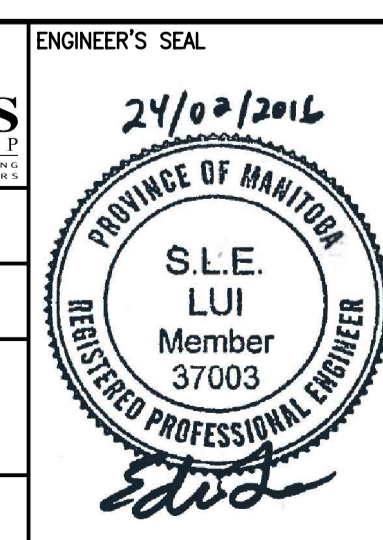


**3** DETAIL  
1:20  
SGAD-S015



NO.	REVISIONS	DATE	DESIGN	CHECK
01	ISSUED FOR ADD. 2 - B.O. 899-2015	02/2016	G.O.	J.C.
00	ISSUED FOR TENDER - B.O. 899-2015	01/2016	G.O.	J.C.

<b>CH2MHILL</b>		<b>KCS</b> GROUP INC. CONSULTING ENGINEERS	
SNC-LAVALIN		ENGINEER'S SEAL	
DESIGNED BY: A THAKKAR	CHECKED BY: R. PARIKH		
DRAWN BY: G. OMORI	APPROVED BY: H.T. FREIHAMMER		
SCALE: 1:20	ISSUED FOR CONSTRUCTION BY: T. TURZAK		
DATE: 2016/01/29		DATE: 2016/01/29	
CONSULTANT NO.: 474248			



**THE CITY OF WINNIPEG**  
WATER AND WASTE DEPARTMENT

SOUTH END WATER POLLUTION CONTROL CENTRE  
SEWPCC UPGRADING/EXPANSION PROJECT  
STRUCTURAL  
SECONDARY CLARIFIERS 4 AND 5  
DETAILS

CITY DRAWING NUMBER: 1-0102-SDTL-S015  
SHEET: 001  
REV: 01  
SIZE: A1