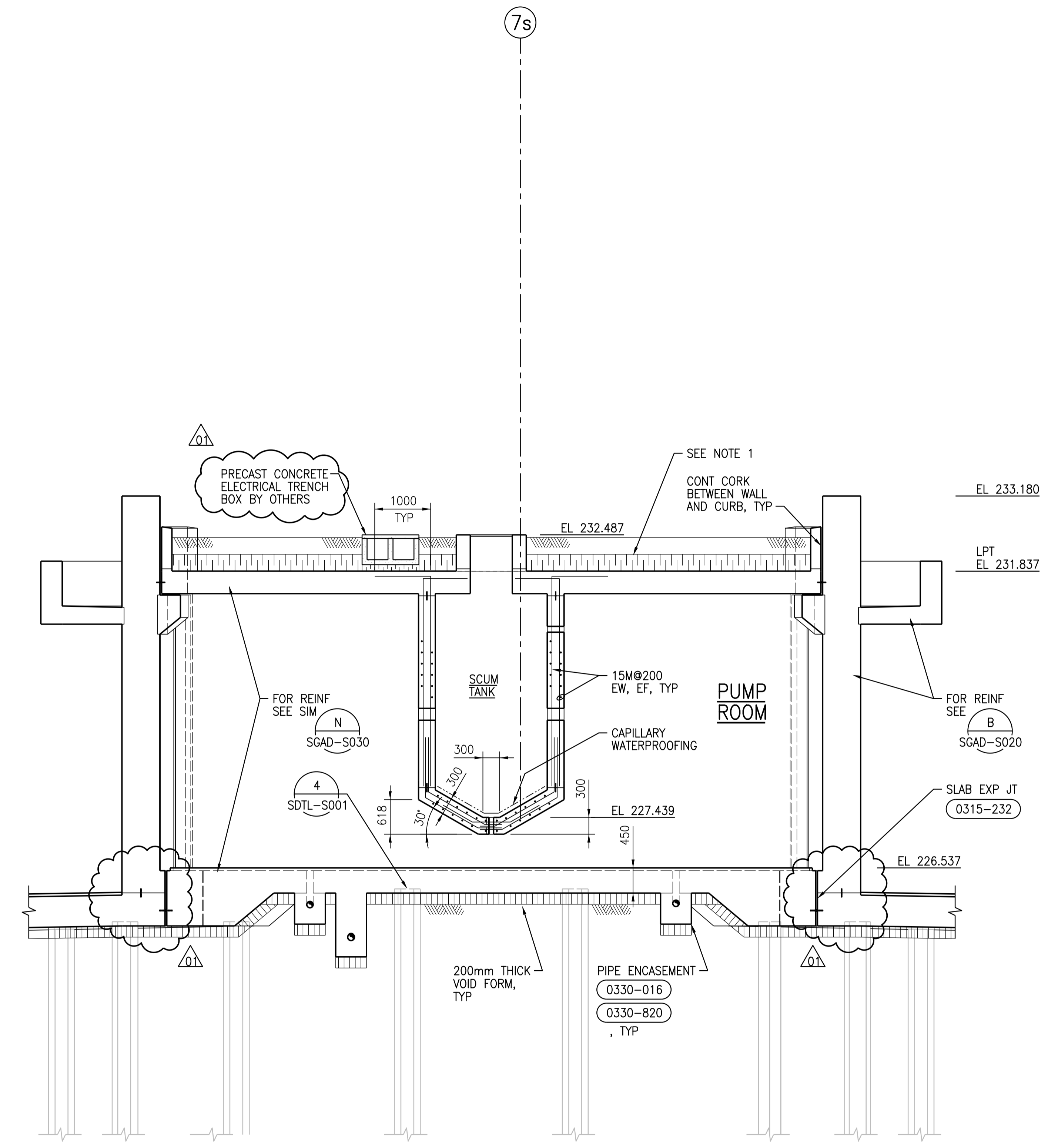


U SECTION
1:50

SGAD-S001, SGAD-S004,
SGAD-S005, SGAD-S006,
SGAD-S009, SGAD-S010,
SGAD-S011, SGAD-S014,
SGAD-S015, SGAD-S016,
SGAD-S017, SGAD-S018

GENERAL NOTES:

- 300mm THICK GEOFOAM TYPE EPS 15 OR EQUAL ON TOP OF SLAB WITH MAXIMUM 300mm EARTH COVER ON TOP OF GEOFOAM. TYPICAL OVER ENTIRE ROOF SLAB UNLESS NOTED OTHERWISE. PROVIDE 60 MIL PVC SHEET ON TOP OF GEOFOAM OVER ENTIRE FOOTPRINT. TAPE ALL SEAMS. EXTEND UP AND DOWN FROM WALL/SLAB/CURB INTERSECTIONS 1300mm ALL AROUND.
- WHERE THE EXCAVATION LINE IS LOCATED BELOW THE UNDERSIDE OF THE VOID FORM, FILL THE AREA WITH CLASS A BACKFILL COMPACTED TO 98% SPMD.
- CLOSE OFF THE AREA WITH CMU WALL AFTER ELECTRICAL WORK IS COMPLETED.



V SECTION
1:50

SGAD-S001, SGAD-S004,
SGAD-S005, SGAD-S006,
SGAD-S009, SGAD-S010,
SGAD-S011, SGAD-S014,
SGAD-S015

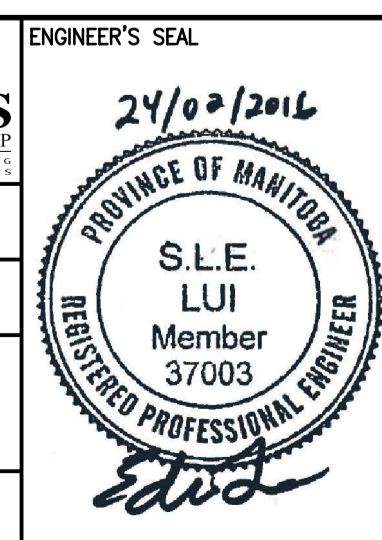


NO.	REVISIONS	DATE	DESIGN	CHECK
01	ISSUED FOR ADD. 2 - B.O. 899-2015	02/2016	G.O.	J.C.
00	ISSUED FOR TENDER - B.O. 899-2015	01/2016	G.O.	J.C.

CH2MHILL
SNC-LAVALIN

DESIGNED BY: A. THAKKAR
DRAWN BY: G. OMORI
SCALE: 1:50
DATE: 2016/01/29
CONSULTANT NO.: 474248

CHECKED BY: E. LUI
APPROVED BY: H.T. FREIHAMMER
ISSUED FOR CONSTRUCTION BY: T. TURZAK
DATE: 2016/01/29



THE CITY OF WINNIPEG
Winnipeg WATER AND WASTE DEPARTMENT

SOUTH END WATER POLLUTION CONTROL CENTRE
SEWPC UPGRADING/EXPANSION PROJECT
STRUCTURAL
SECONDARY CLARIFIERS 4 AND 5
SECTIONS U AND V

CITY DRAWING NUMBER: 1-0102-SGAD-S033
SHEET: 001
REV: 01
SIZE: A1