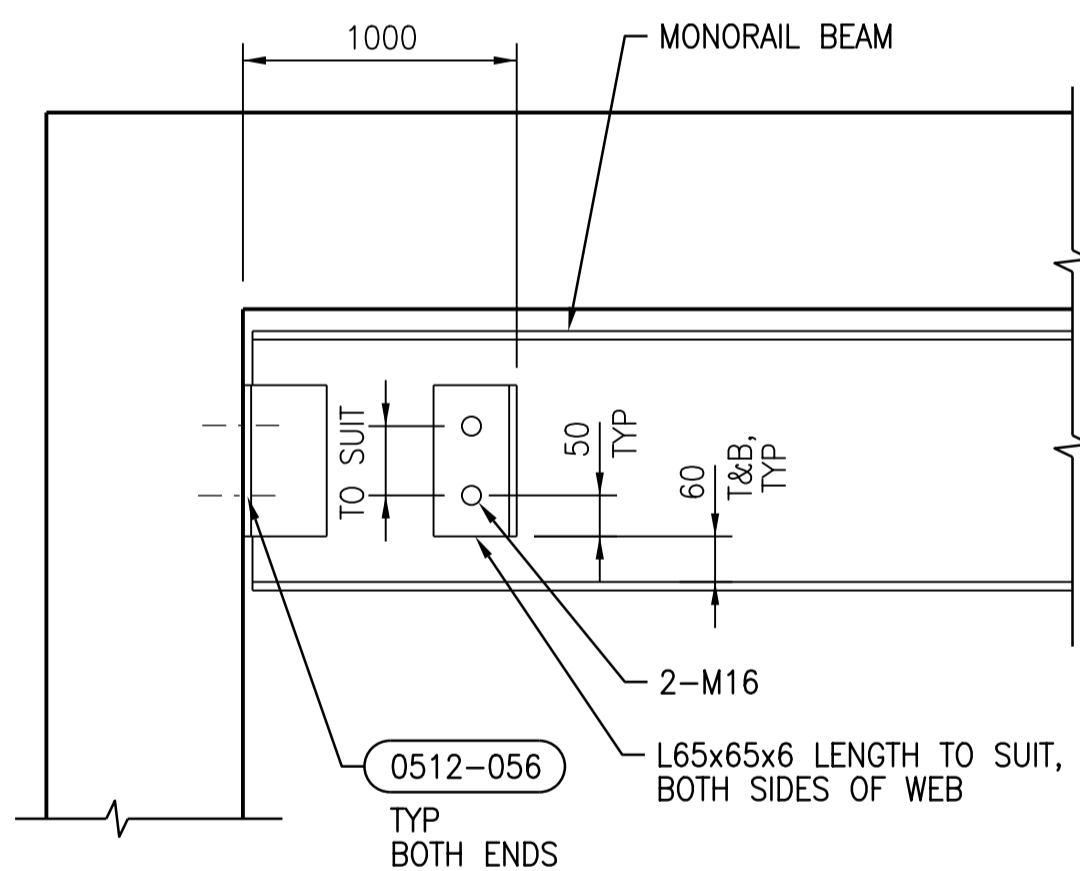


1 **DETAIL**
NTS
SGAD-S017,
SGAD-S028

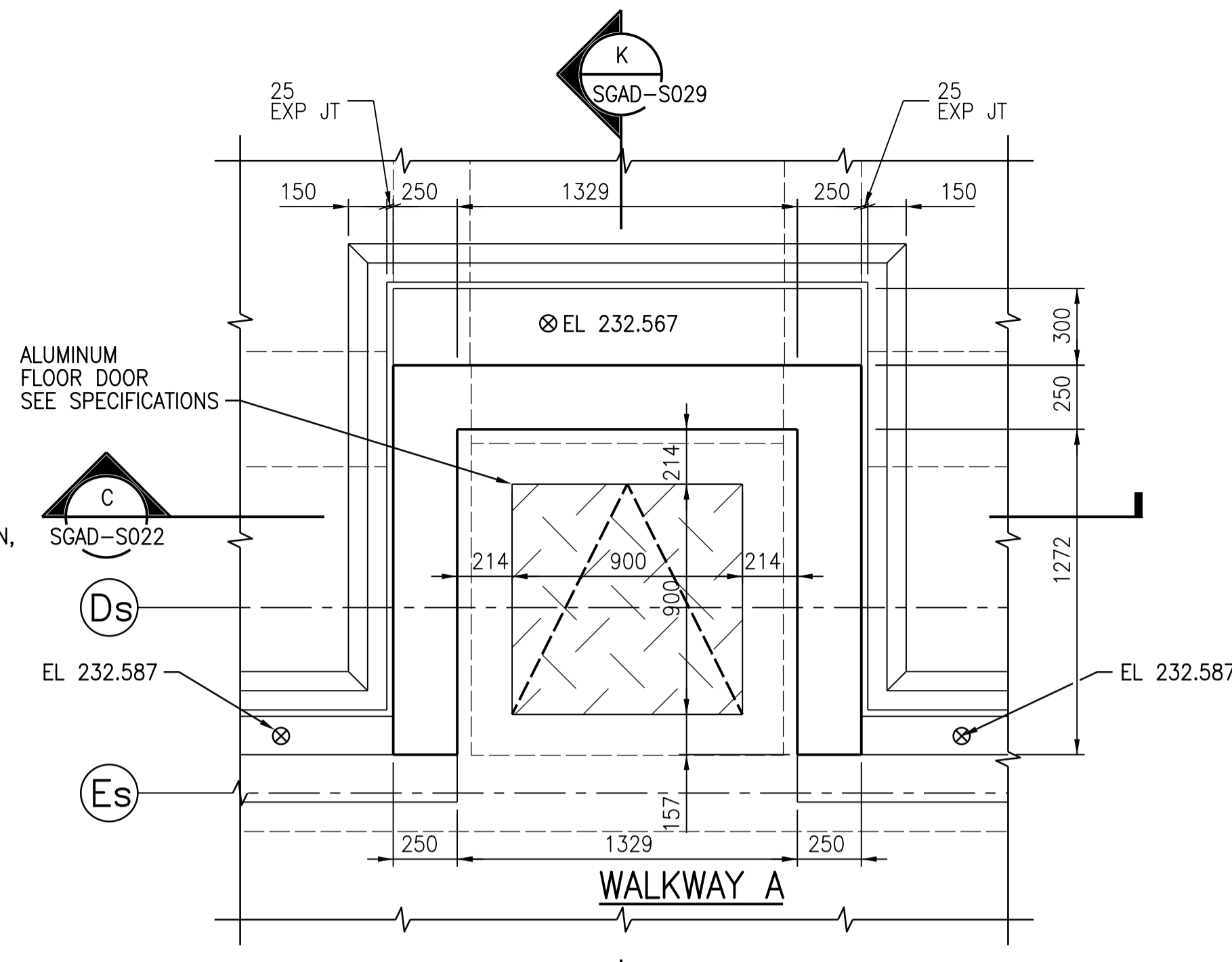
NOTES:

1. PROVIDE ONE MIDDLE CONNECTION ASSEMBLY ITEM AT MIDPOINT OF STEEL BEAM.
2. MONORAIL CAPACITY = 2.0 TONNE

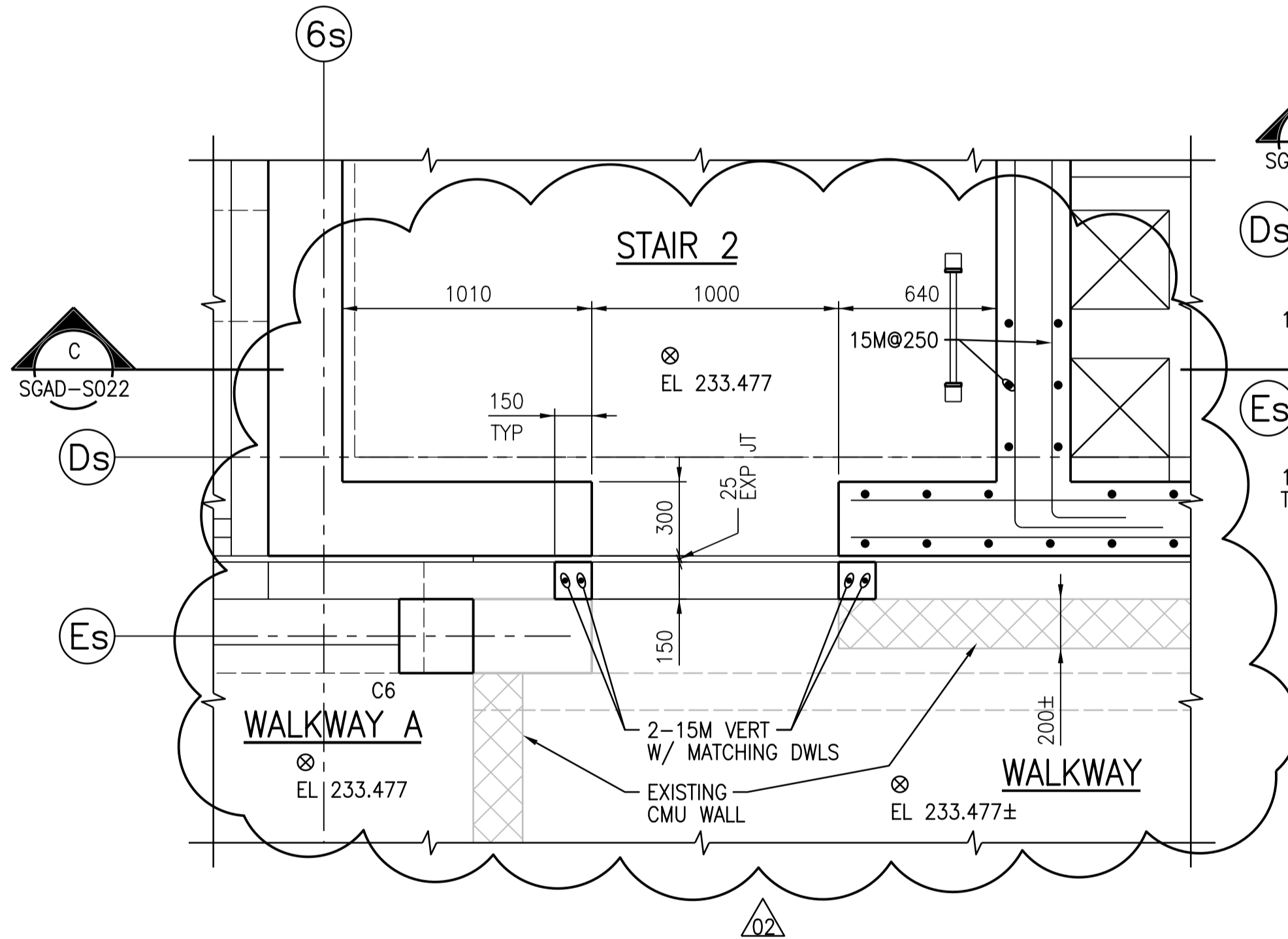


ELEVATION
MONORAIL STOP

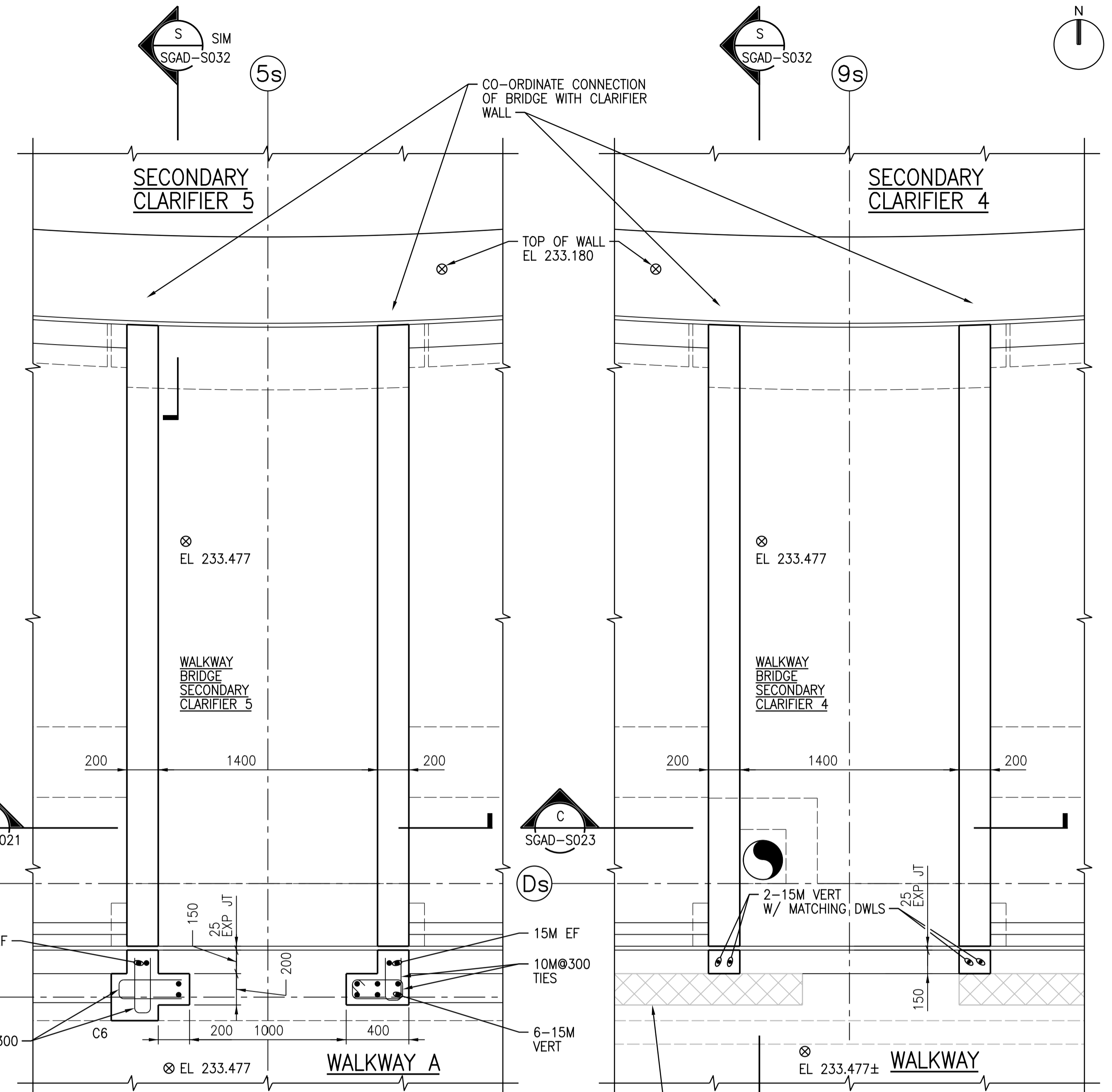
2 **DETAIL**
NTS
SGAD-S017,
SGAD-S028



3 **DETAIL**
1:20
SGAD-S014



4 **DETAIL**
1:20
SGAD-S014



5 **DETAIL**
1:20
SGAD-S014

6 **DETAIL**
1:20
SGAD-S015



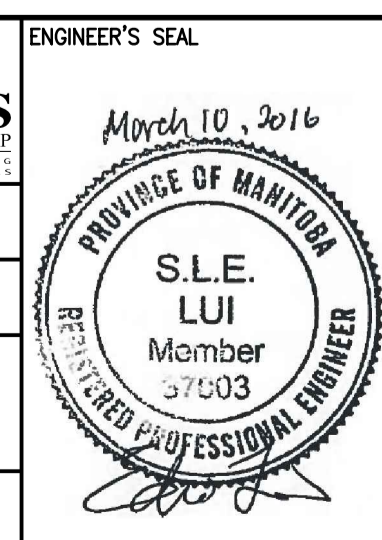
NO.	REVISIONS	DATE	DESIGN	CHECK
02	ISSUED FOR ADD. 4 - B.O. 899-2015	03/2016	G.O. J.C.	
01	ISSUED FOR ADD. 2 - B.O. 899-2015	02/2016	G.O. J.C.	
00	ISSUED FOR TENDER - B.O. 899-2015	01/2016	G.O. J.C.	

CH2MHILL
SNC-LAVALIN

DESIGNED BY: A THAKKAR
DRAWN BY: G. OMORI
SCALE: AS NOTED

CHECKED BY: R. PARIKH
APPROVED BY: H.T. FREIHAMMER
ISSUED FOR CONSTRUCTION BY: T. TURZAK
DATE: 2016/01/29

CONSULTANT NO.: 474248



THE CITY OF WINNIPEG
Winnipeg WATER AND WASTE DEPARTMENT

SOUTH END WATER POLLUTION CONTROL CENTRE
SEWPCC UPGRADING/EXPANSION PROJECT
STRUCTURAL
SECONDARY CLARIFIERS 4 AND 5
DETAILS

CITY DRAWING NUMBER: 1-0102-SDTL-S010
SHEET: 001
REV: 02
SIZE: A1