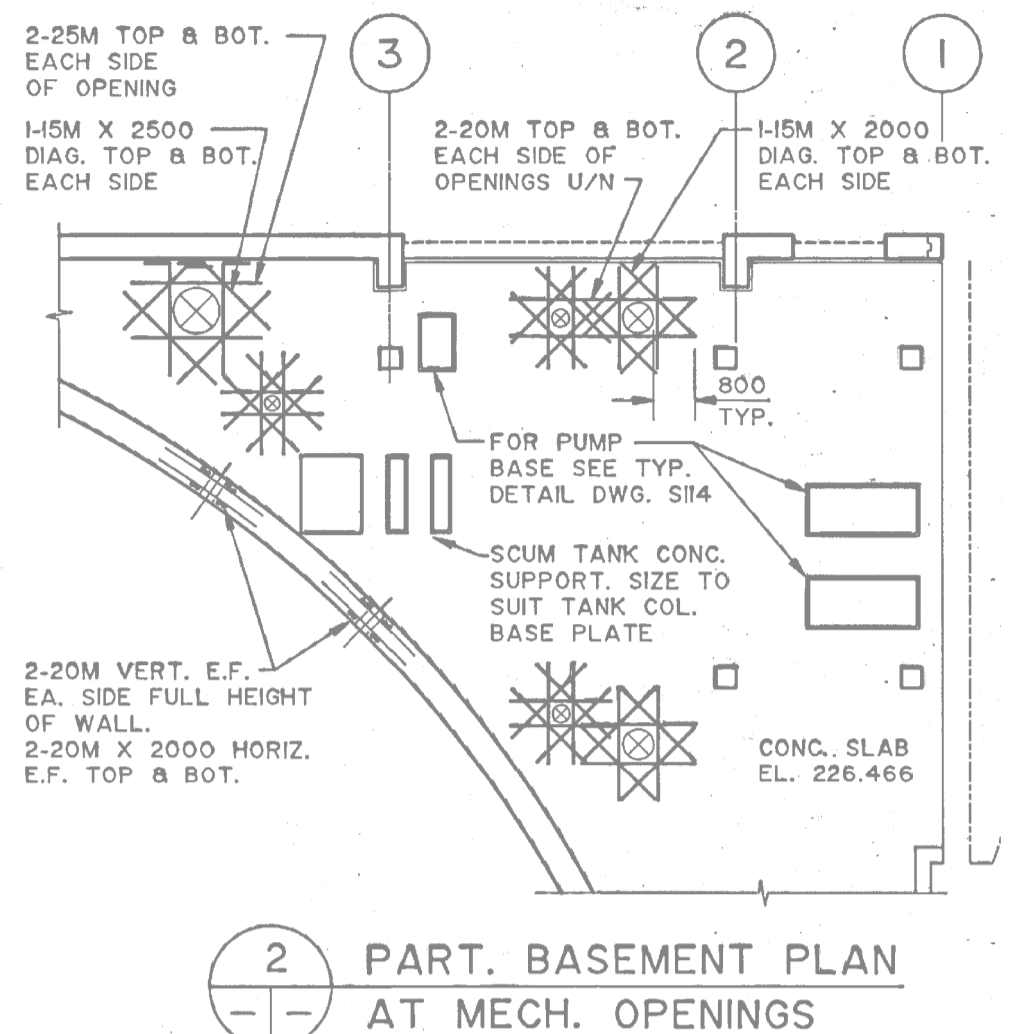
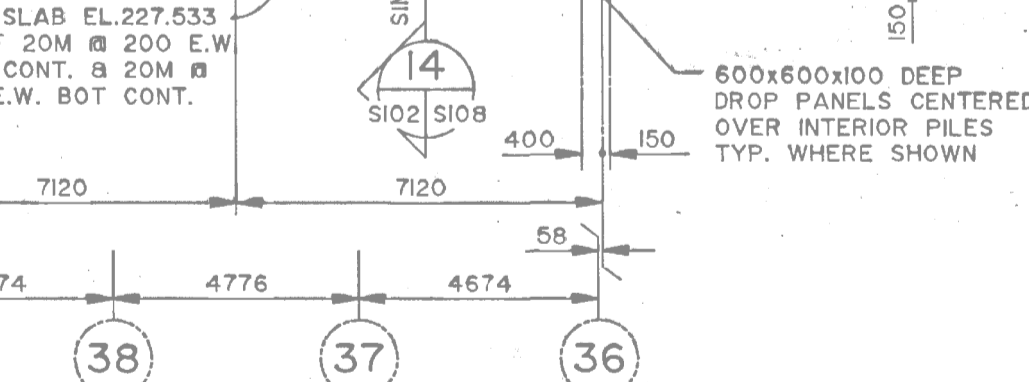


CUT AND REMOVE EXISTING CONCRETE SEE 0330-808 & 0330-817 TYPICAL FOR ALL DEMOLITION SHOWN ON THIS DRAWING



SECONDARY CLARIFIER No.2



PLAN AT EL. 226.466
 NTS
 DESIGN LIVE LOAD:
 GENERAL AREA = 12.0 kPa
 TANK FLOOR = 60.0 kPa
 NOTE:
 W1 DENOTES WALL MARK, C101 DENOTES COLUMN MARK.
 FOR SCHEDULE REFER TO DWG. S13

SECONDARY CLARIFIER No.3

- NOTES:**
1. FOR NEW CONSTRUCTION SEE DRAWING 1-0102-SGAD-S004 AND 1-0102-SGAD-S005.
 2. REFER TO GENERAL DEMOLITION NOTES DRAWING 4-0102-DGAD-A001.



NO.	REVISIONS	DATE	DESIGN	CHECK
02	ISSUED FOR ADD. 4 - B.O. 899-2015	03/2015	G.O. J.C.	
01	ISSUED FOR ADD. 2 - B.O. 899-2015	02/2015	G.O. J.C.	
00	ISSUED FOR TENDER - B.O. 899-2015	01/2016	G.G. J.C.	

CH2MHILL.		KCS GROUP	
SNC-LAVALIN		ENGINEER'S SEAL	
DESIGNED BY: E. LUI	CHECKED BY: R. PARIKH		
DRAWN BY: G. GERMAN	APPROVED BY: H.T. FREIHAMMER		
SCALE: NTS	ISSUED FOR CONSTRUCTION BY: T. TURZAK		
DATE: 2016/01/29		DATE: 2016/01/29	
CONSULTANT NO.: 474248			

SEALING ARCHITECT OR ENGINEER ACCEPTS RESPONSIBILITY ONLY FOR AREAS IDENTIFIED BY CLOUDING ON THIS DRAWING.

NOTE: THIS DRAWING SUPERSEDES DRAWING SEP-408

THE CITY OF WINNIPEG
 WATER AND WASTE DEPARTMENT

SOUTH END WATER POLLUTION CONTROL CENTRE
 SEWPCC UPGRADING/EXPANSION PROJECT
 STRUCTURAL
 SECONDARY CLARIFIERS - CONCRETE AND CMU REMOVALS
 PLANS (1)

CITY DRAWING NUMBER: **1-0102-SGAD-S050** | SHEET: **001** | REV: **02** | SIZE: **A1**