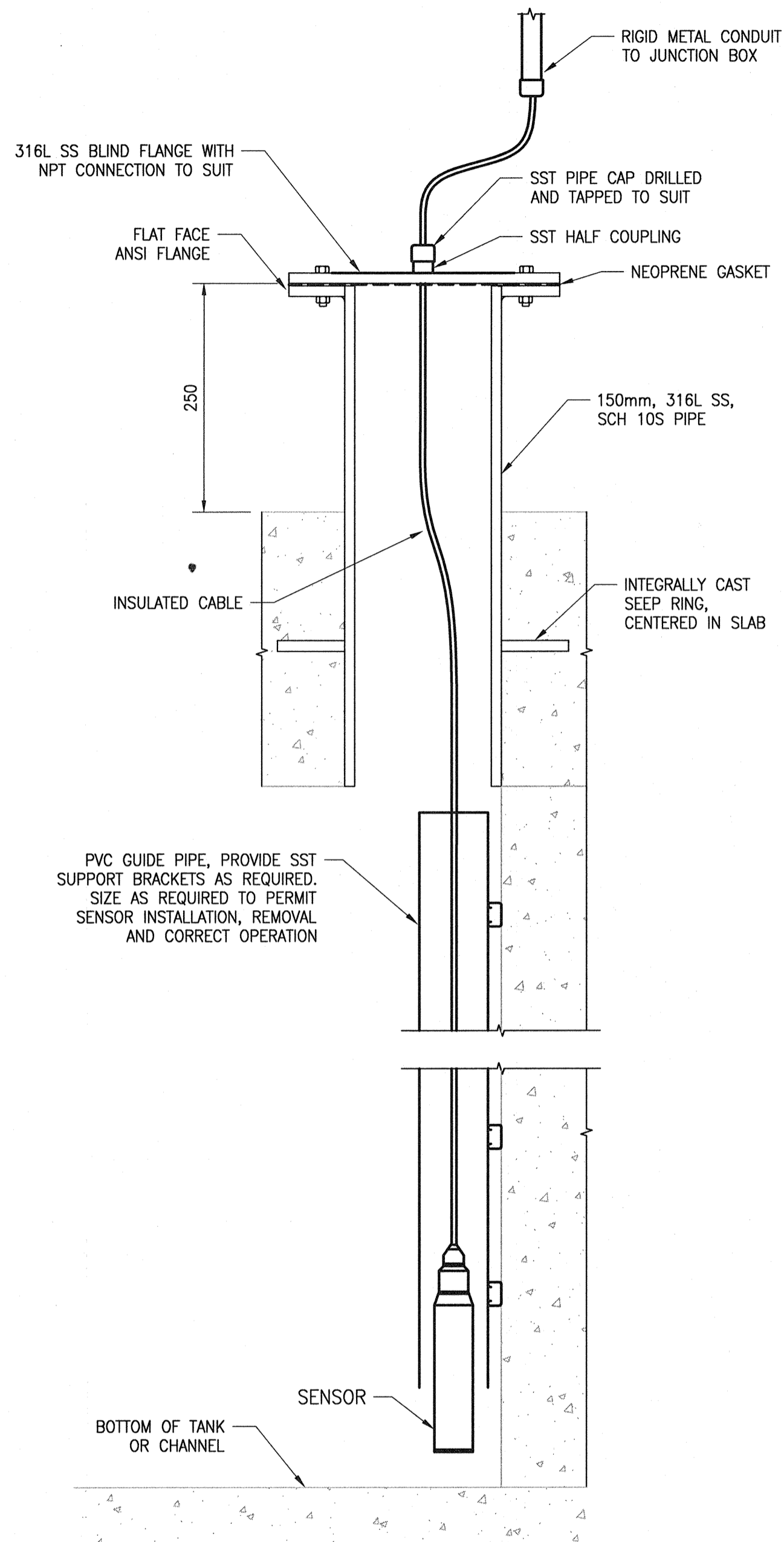
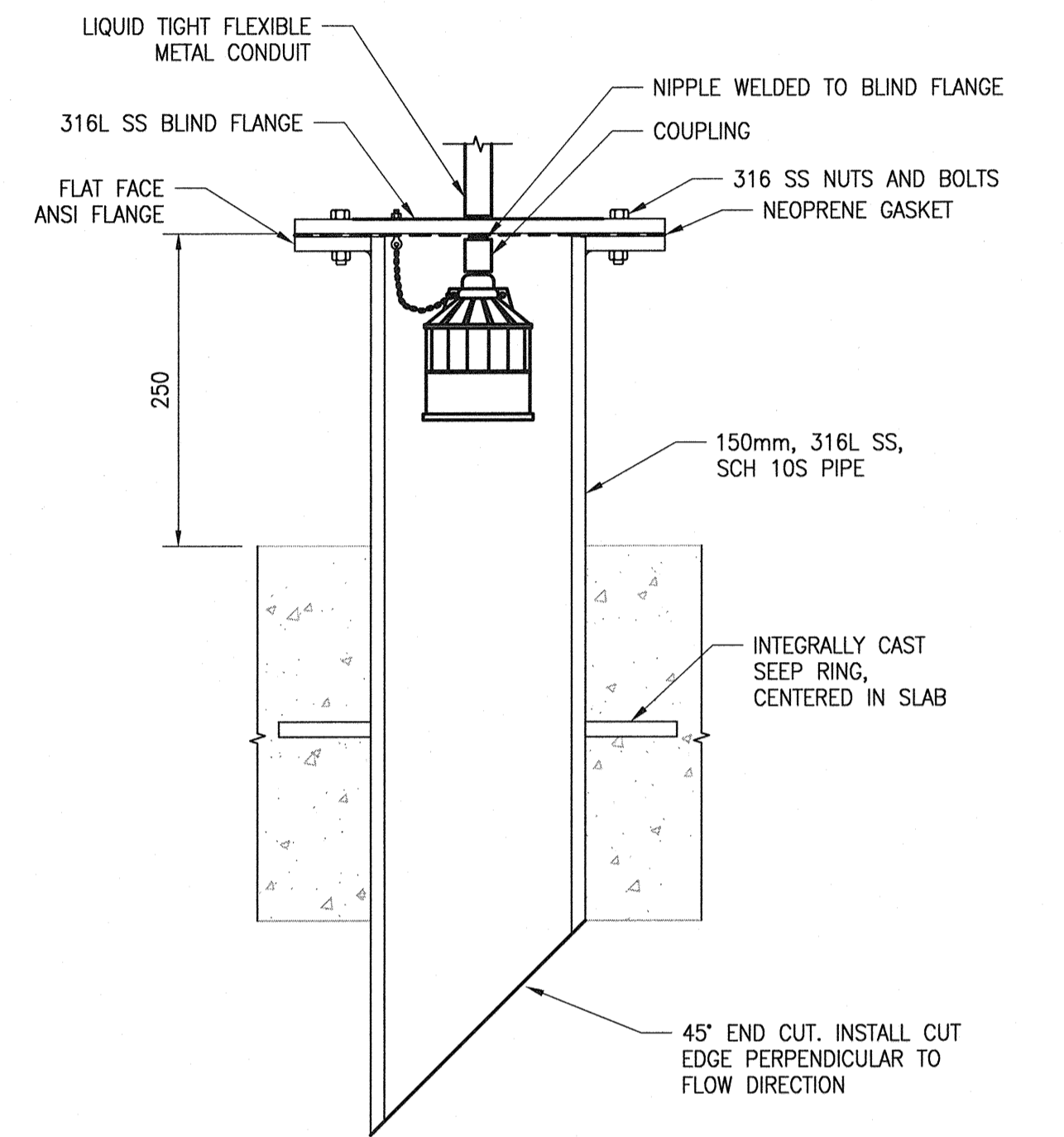


A SUMP LEVEL INSTRUMENTS
NTS



B SUBMERSIBLE LEVEL INSTRUMENTS
NTS



C ULTRASONIC LEVEL SENSOR - FLANGE MOUNT
NTS

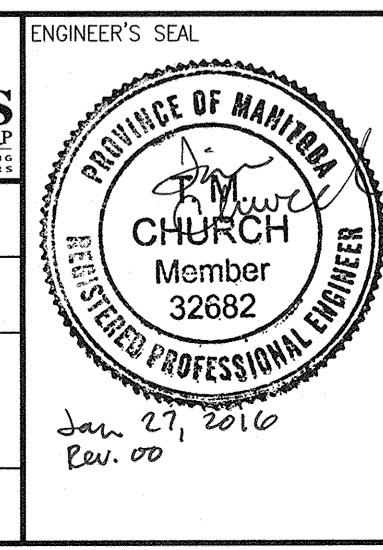
NOTES
1.

REFERENCE DRAWINGS	DESCRIPTION



NO.	REVISIONS	DATE	DESIGN	CHECK
00	ISSUED FOR TENDER - B.O. 899-2015	01/2016	SSB	TMC

CH2MHILL		KGS GROUP	
DESIGNED BY: S. BOGHOSIAN	CHECKED BY: T. CHURCH	ENGINEER'S SEAL	
DRAWN BY: M.J. PERSSON	APPROVED BY: T. CHURCH		
SCALE: NTS	ISSUED FOR CONSTRUCTION BY: T. TURZAK		
DATE: 2015/10/09	DATE: 2016/01/29	Jan 27, 2016 Rev. 00	
CONSULTANT NO.: 474248		CITY DRAWING NUMBER	



THE CITY OF WINNIPEG WATER AND WASTE DEPARTMENT		
SOUTH END WATER POLLUTION CONTROL CENTRE SEWPPCC UPGRADING/EXPANSION PROJECT AUTOMATION INSTALLATION DETAILS LEVEL INSTRUMENTS		
CITY DRAWING NUMBER	SHEET	REV. SIZE
1-0102-ADTL-A005	001	00 A1