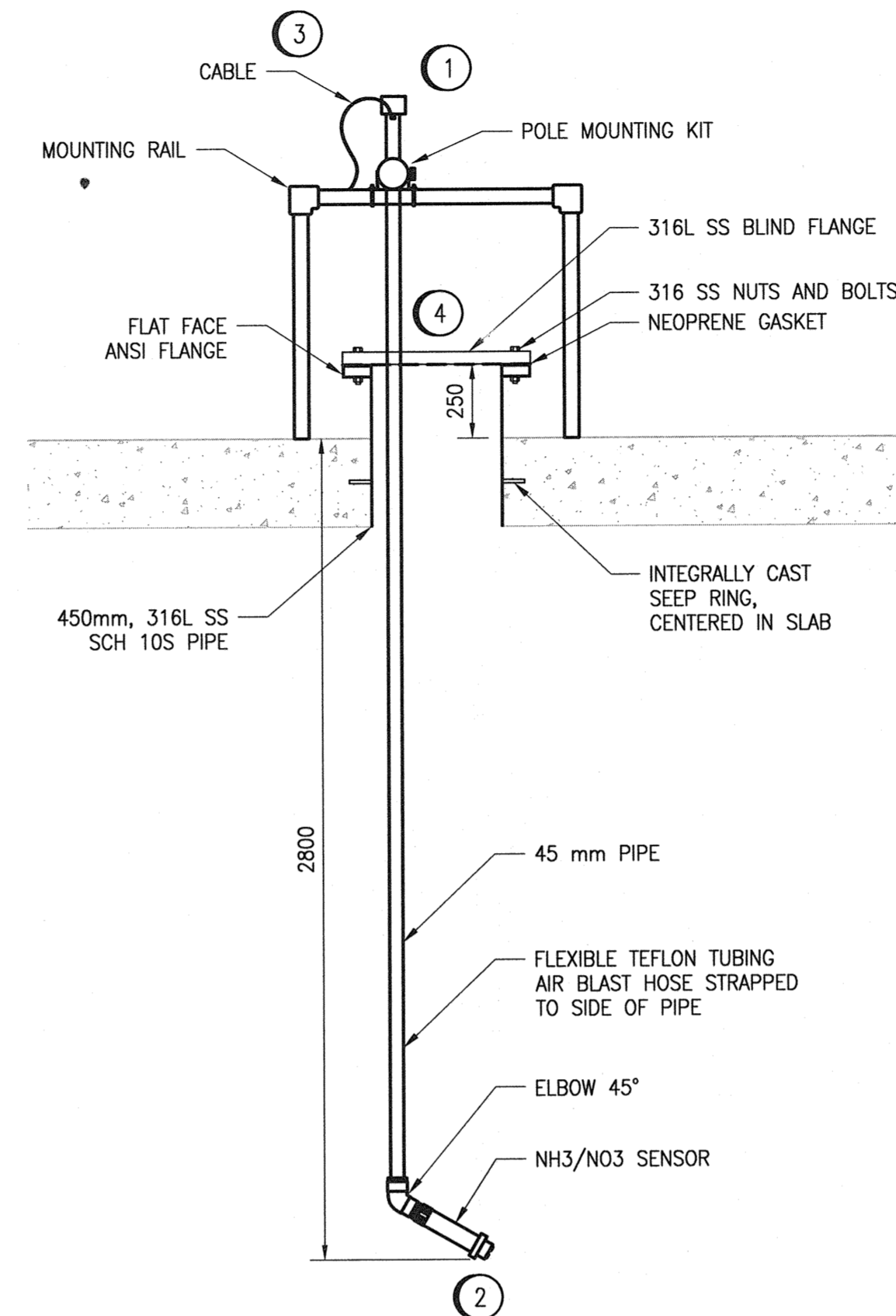


**A** COVERED TANK ORP SENSOR INSTALLATION  
NTS



**B** COVERED TANK NH3/NO3 SENSOR INSTALLATION  
NTS

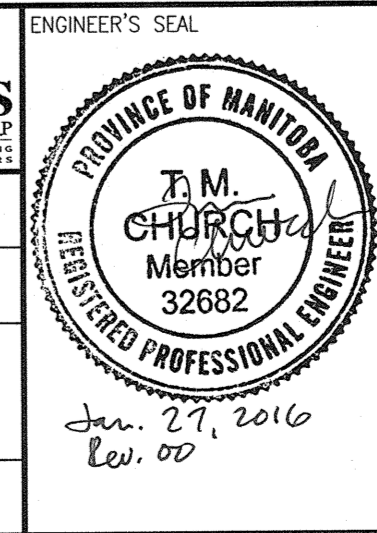
**SPECIFIC NOTES:**

- ① PROVIDE MOUNTING RAIL AS SHOWN TO MOUNT AND ADJUST SENSOR LOCATION.
- ② COORDINATE OPTIMAL SENSORS LOCATION WITH SENSORS VENDOR.
- ③ SENSOR CABLE TO BE SUPPORTED AND LONG ENOUGH TO PULL SENSOR MOUNTING PIPE OUT OF TANK. ALLOW FOR DISCONNECTING OF AIR BLAST HOSE NEAR POLE MOUNT TO ALLOW FOR THE REMOVAL OF SENSOR.
- ④ PROVIDE BLIND FLANGE COVER TO ALLOW FOR EASY INSTALLATION AND REMOVAL OF SENSOR. PROVIDE WEATHERPROOF SEAL FOR ENTRY POINT OF MOUNTING POLE AND AIR BLAST TUBING.



NO.	REVISIONS	DATE	DESIGN	CHECK
00	ISSUED FOR TENDER - B.O. 899-2015	01/2016	SSB	TMC

<b>CH2MHILL</b>	
DESIGNED BY: S. BOGHOSIAN	CHECKED BY: T. CHURCH
DRAWN BY: S. BOGHOSIAN	APPROVED BY: T. CHURCH
SCALE: NTS	ISSUED FOR CONSTRUCTION BY: T. TURZAK
DATE: 2015/12/14	DATE: 2016/01/29
CONSULTANT NO.: 474248	



**THE CITY OF WINNIPEG**  
WATER AND WASTE DEPARTMENT

SOUTH END WATER POLLUTION CONTROL CENTRE  
SEWPCC UPGRADING/EXPANSION PROJECT  
AUTOMATION - INSTALLATION DETAILS  
BIOREACTOR/BLOWER BUILDING  
ANALYSIS INSTRUMENTS

CITY DRAWING NUMBER: 1-0102-ADTL-R001  
SHEET: 002  
REV: 00  
SIZE: A1