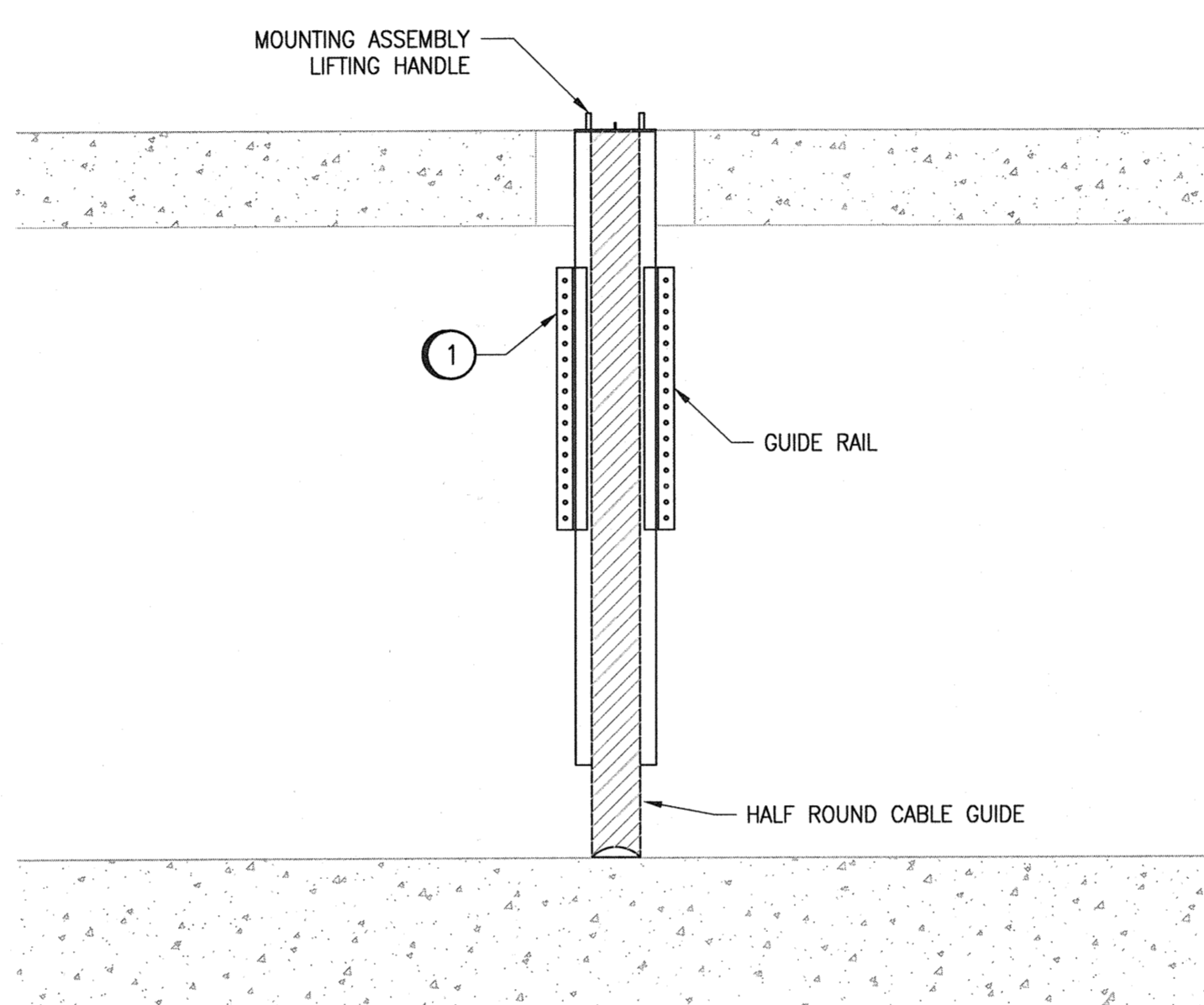
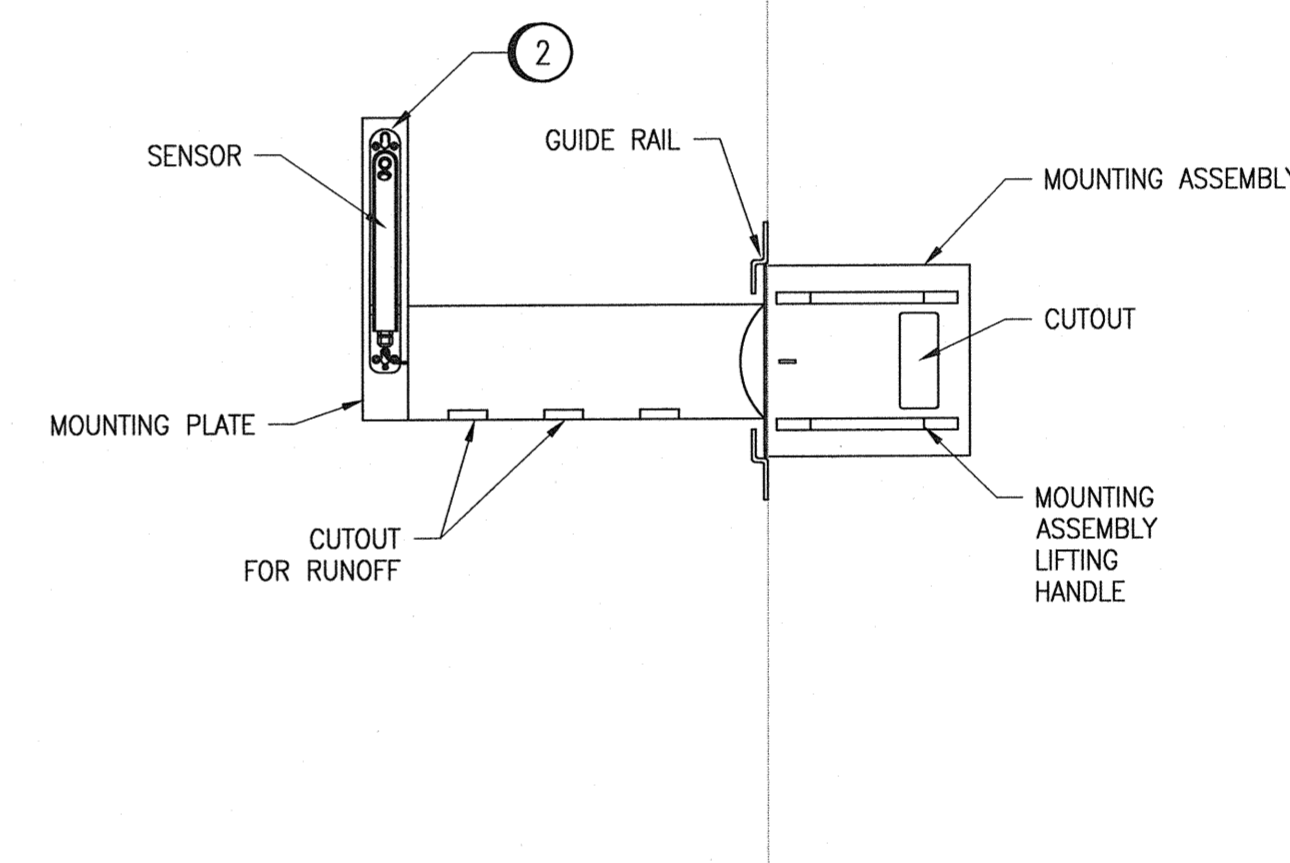


A FLOW SENSOR INSTALLATION (FRONT VIEW)
NTS



B FLOW SENSOR INSTALLATION (SIDE VIEW)
NTS



C FLOW SENSOR INSTALLATION (TOP VIEW)
NTS

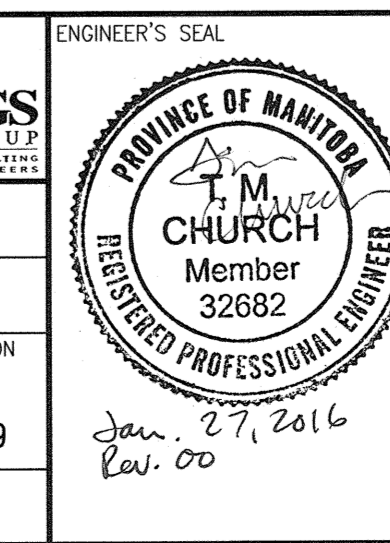
SPECIFIC NOTES:

- 1 PROVIDE 304 STAINLESS STEEL GUIDE RAILS AND MOUNTING ASSEMBLY AS REQUIRED TO ALLOW SENSOR REMOVAL FROM TOP OF CHANNEL.
- 2 COORDINATE OPTIMAL SENSOR LOCATION WITH FLOW METER VENDOR.
- 3 PROVIDE OPENING IN CHECKERPLATE FOR THE CABLE ENTRY.



NO.	REVISIONS	DATE	DESIGN	CHECK
00	ISSUED FOR TENDER - B.O. 899-2015	01/2016	SSB	TMC

CH2MHILL	
DESIGNED BY: S. BOGHOSIAN	CHECKED BY: T. CHURCH
DRAWN BY: S. BOGHOSIAN	APPROVED BY: T. CHURCH
SCALE: NTS	ISSUED FOR CONSTRUCTION BY: T. TURZAK
DATE: 2015/11/16	DATE: 2016/01/29
CONSULTANT NO.: 474248	



THE CITY OF WINNIPEG WATER AND WASTE DEPARTMENT	
SOUTH END WATER POLLUTION CONTROL CENTRE SEWPC UPGRADING/EXPANSION PROJECT AUTOMATION - INSTALLATION DETAILS BIOREACTOR/BLOWER BUILDING FLOW INSTRUMENTS	
CITY DRAWING NUMBER 1-0102-ADTL-R002	SHEET REV. SIZE 001 00 A1