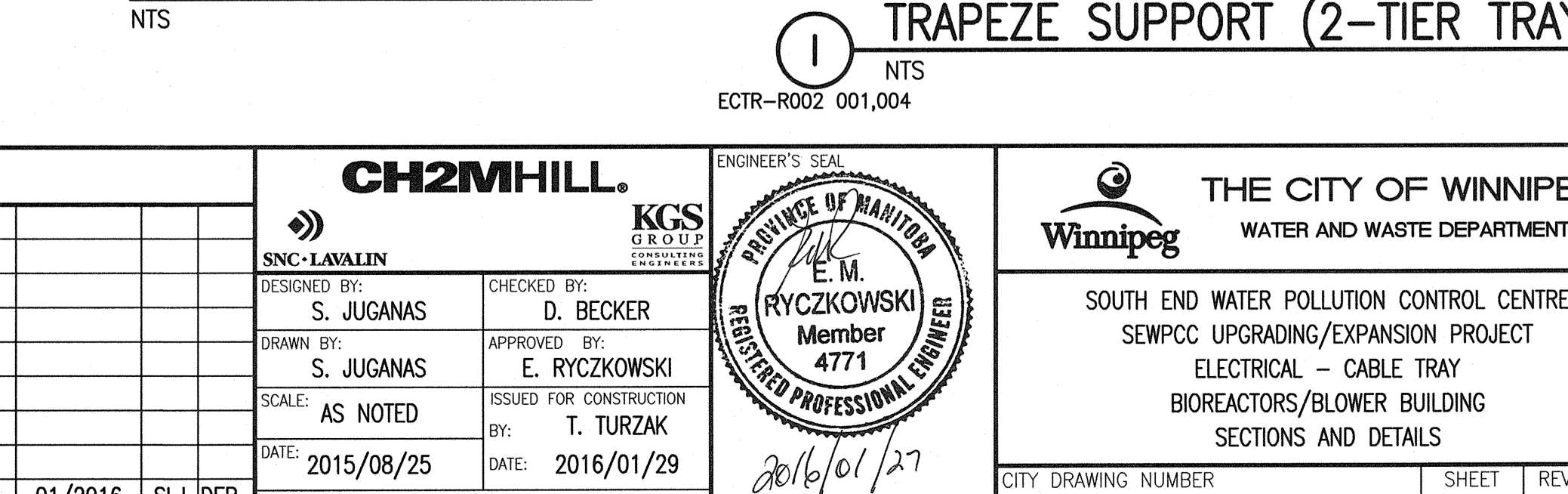
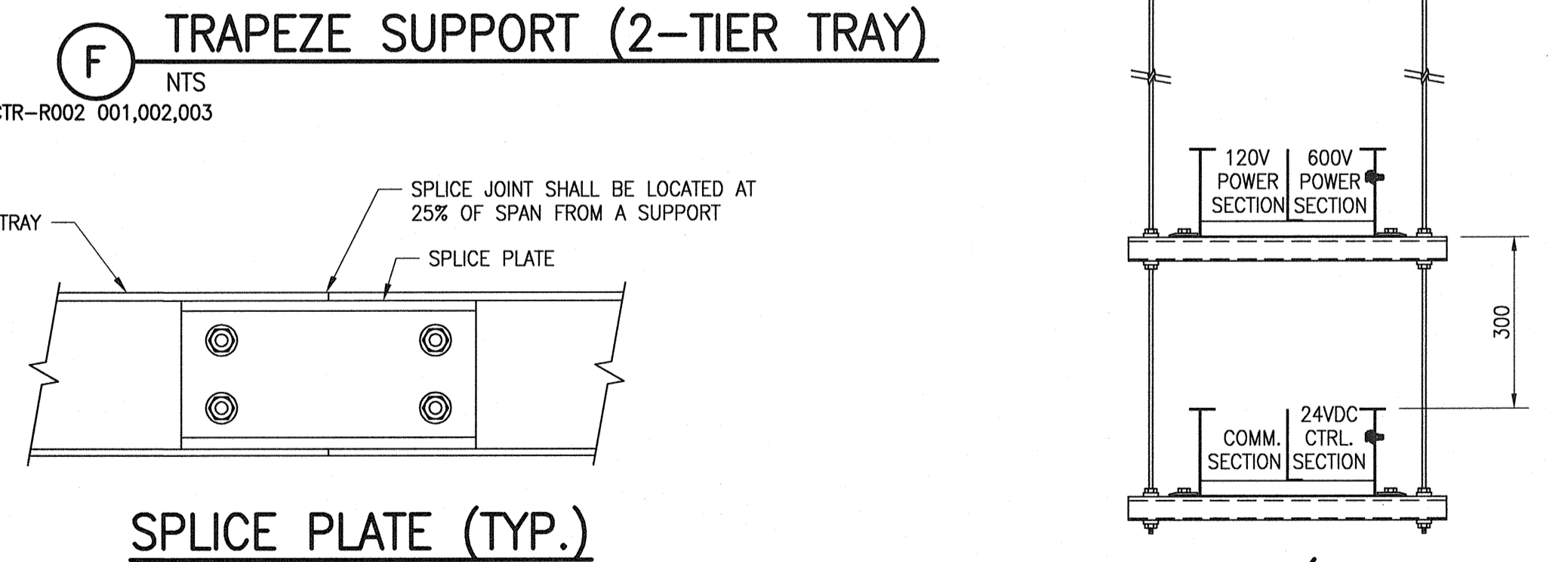
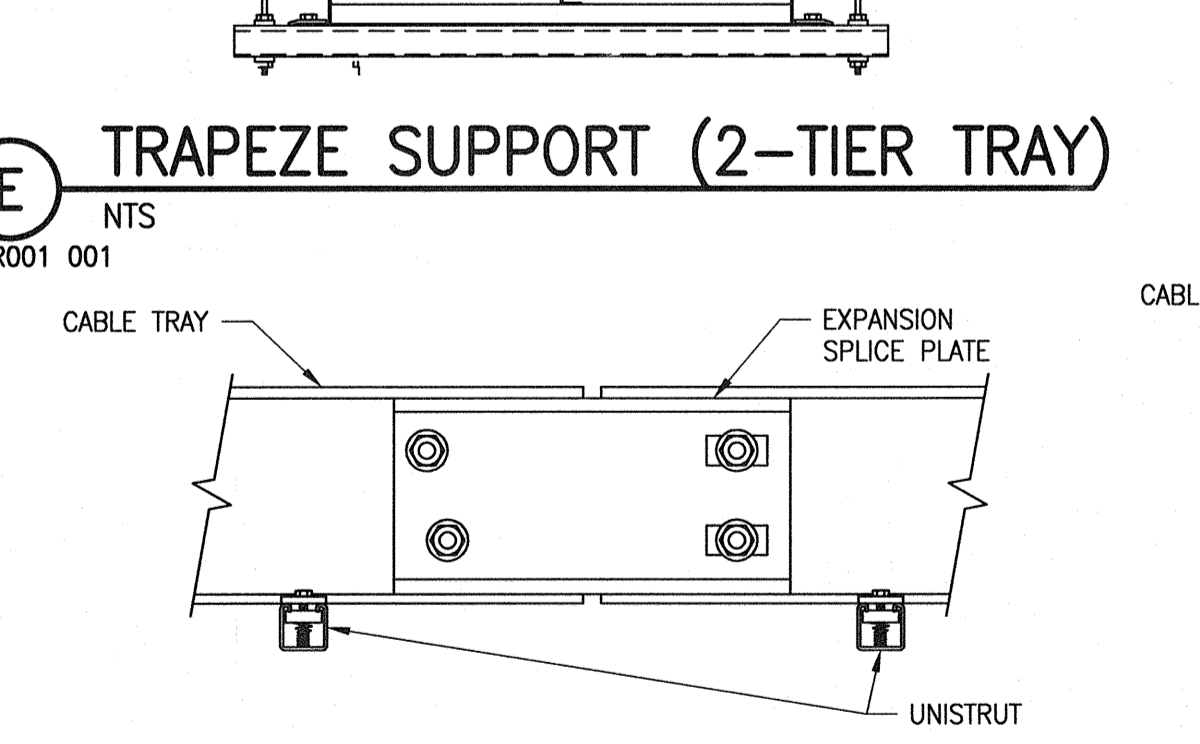
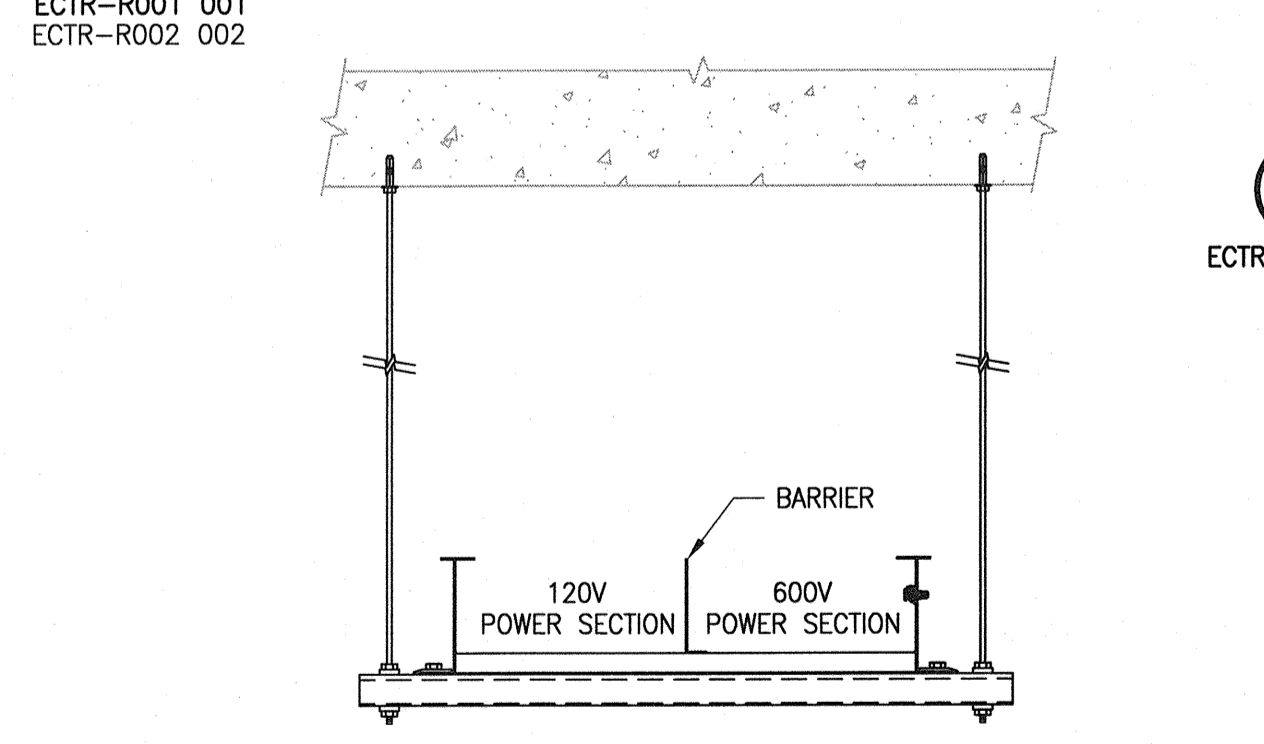
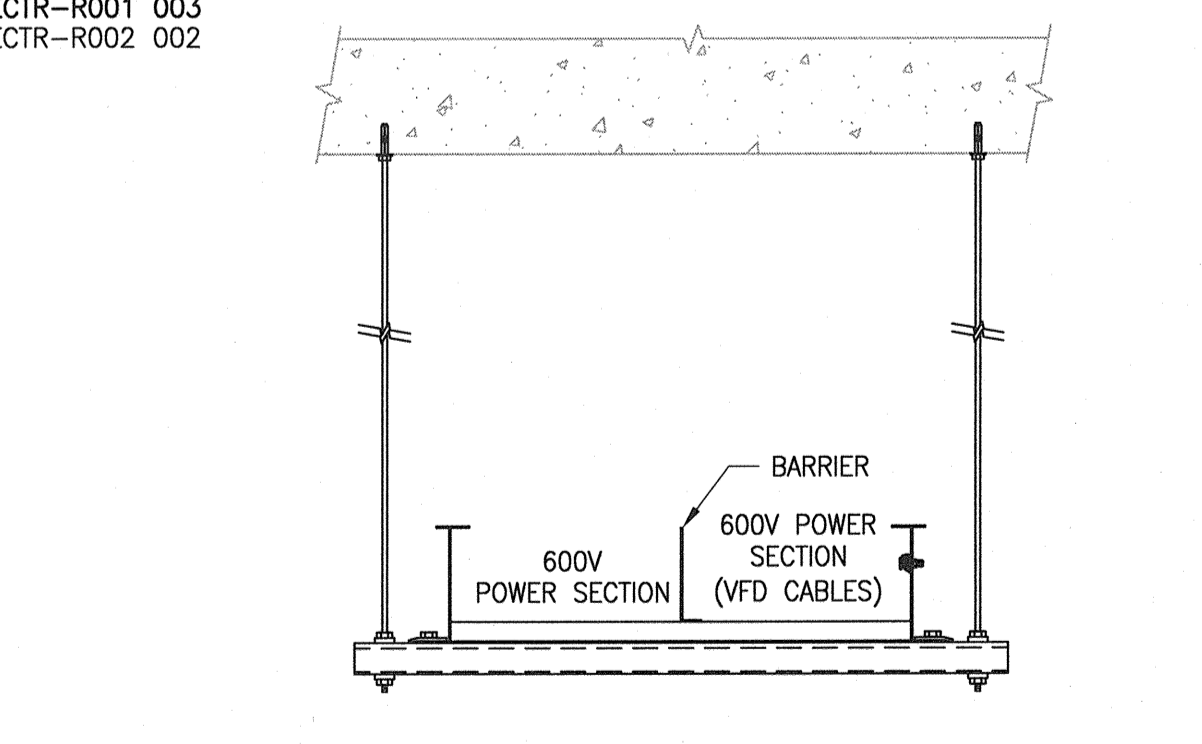
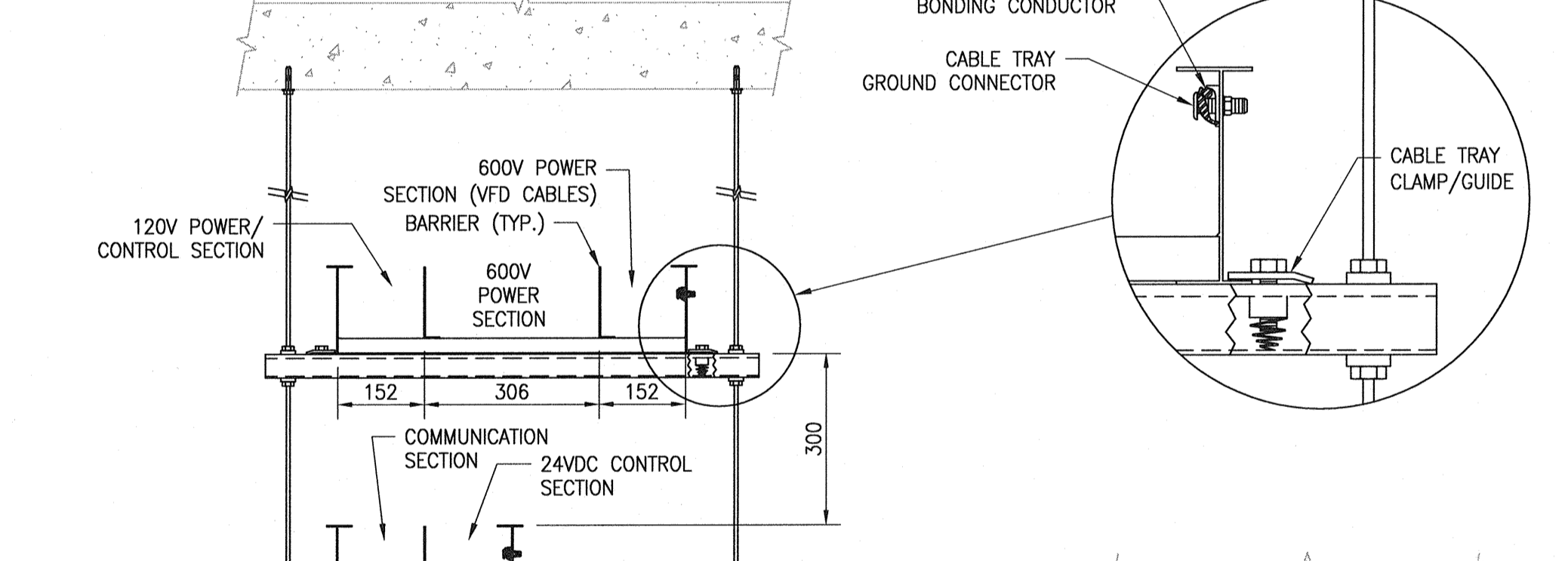
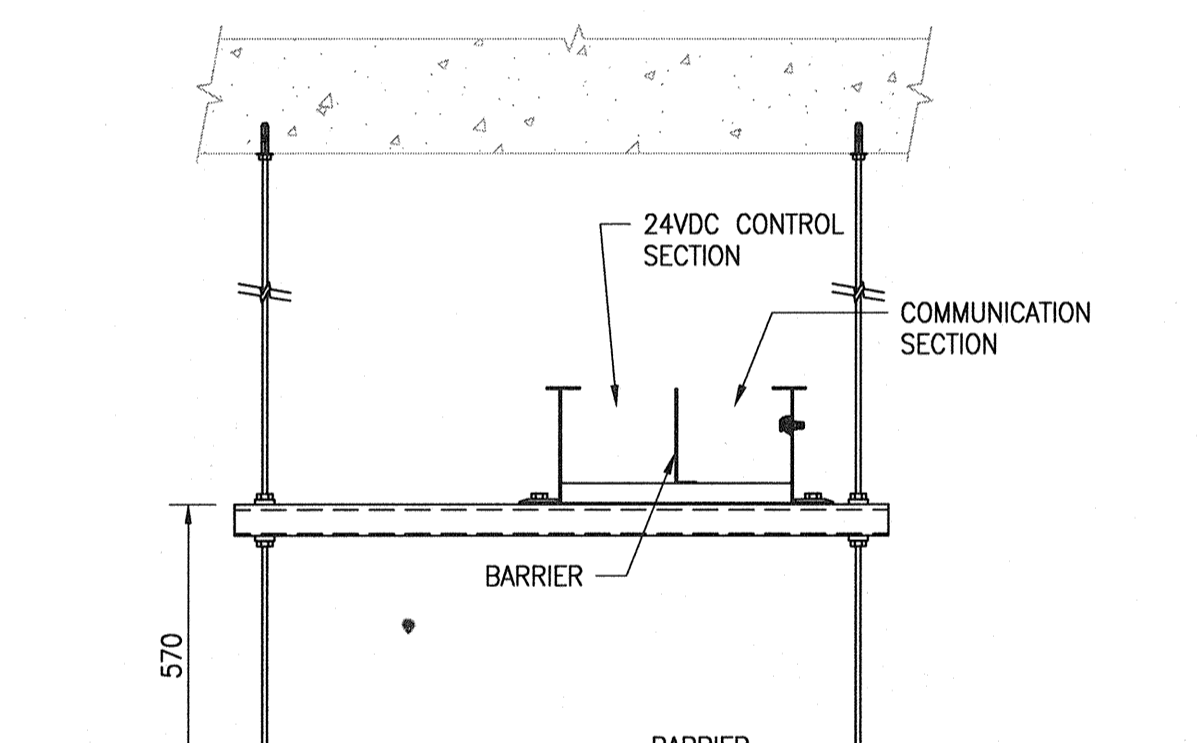
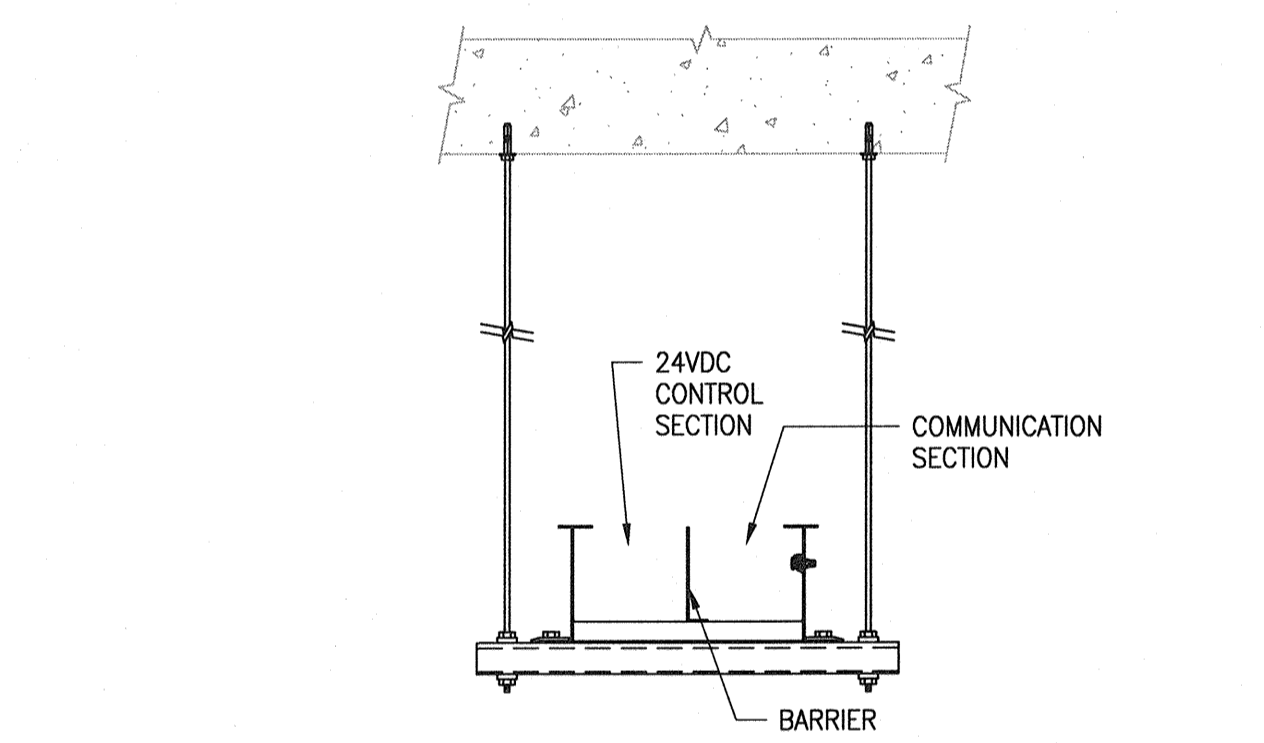
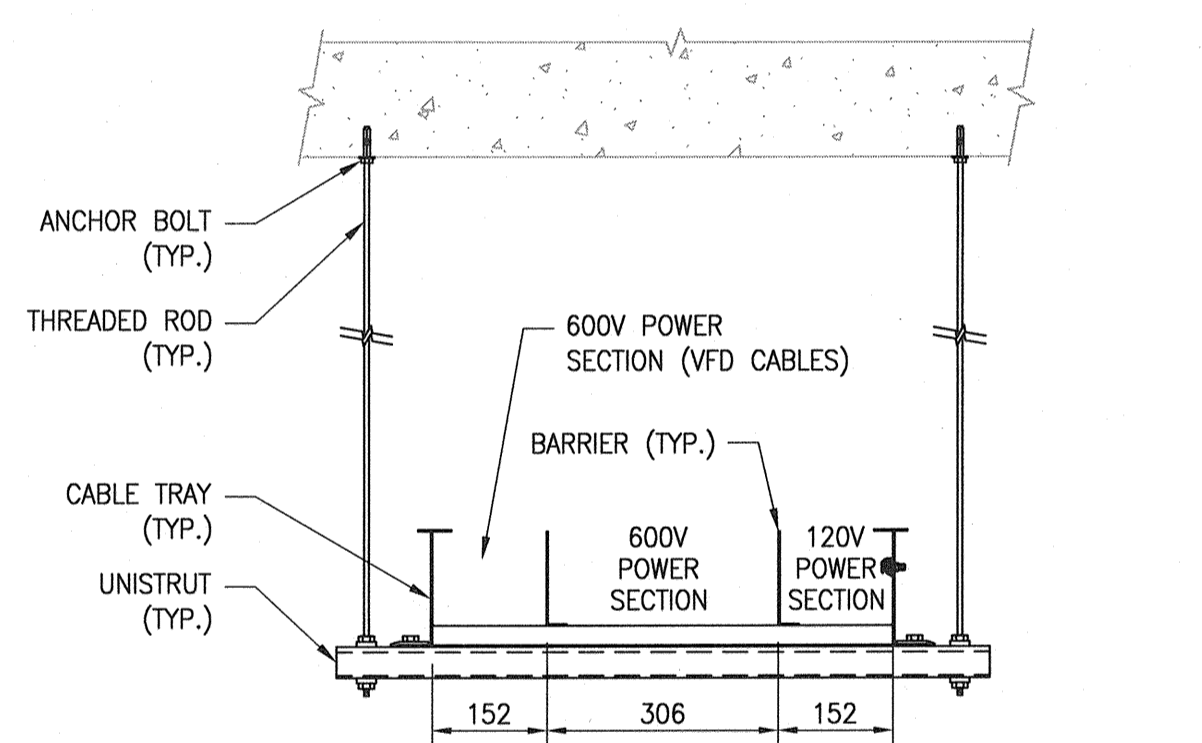
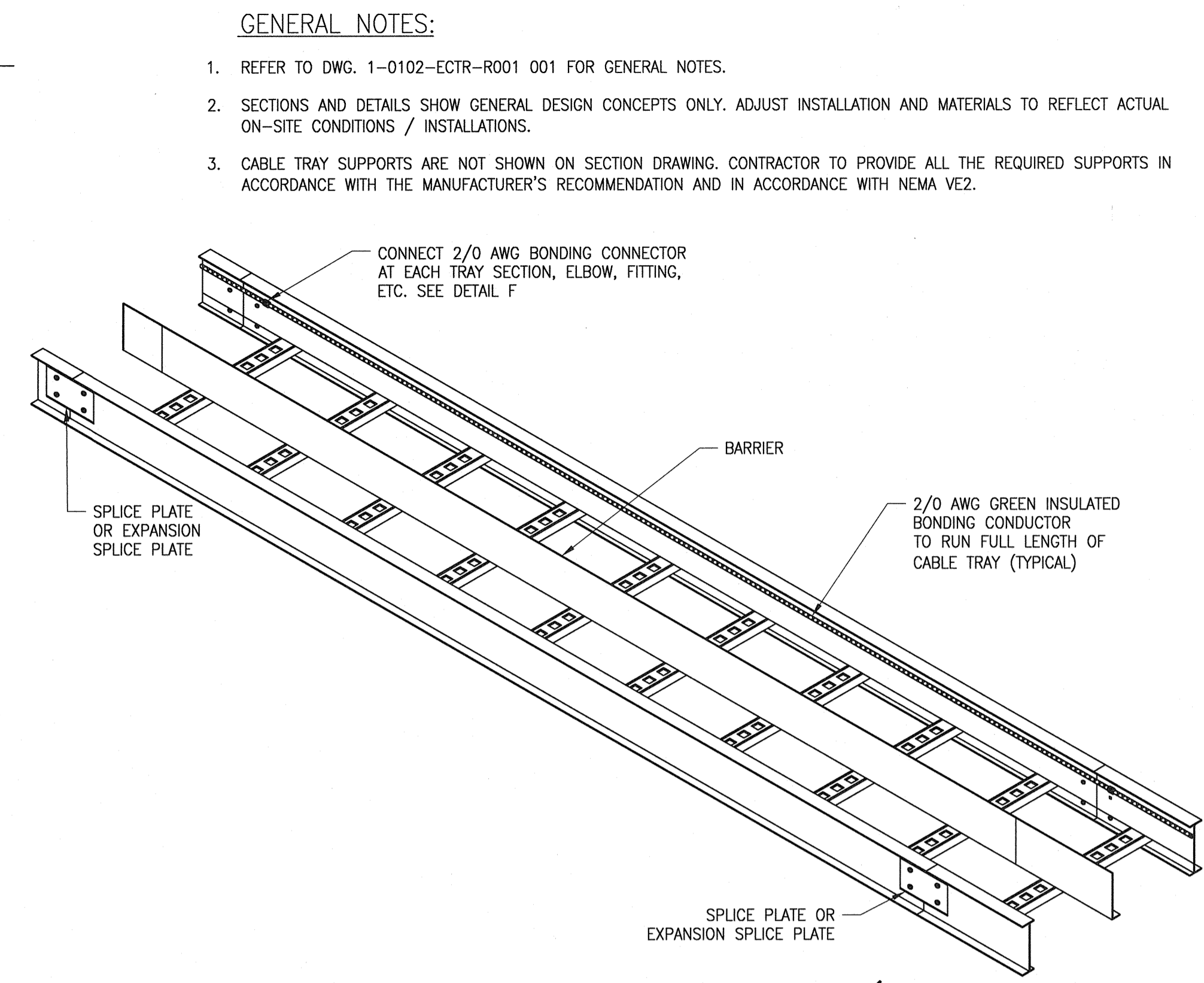
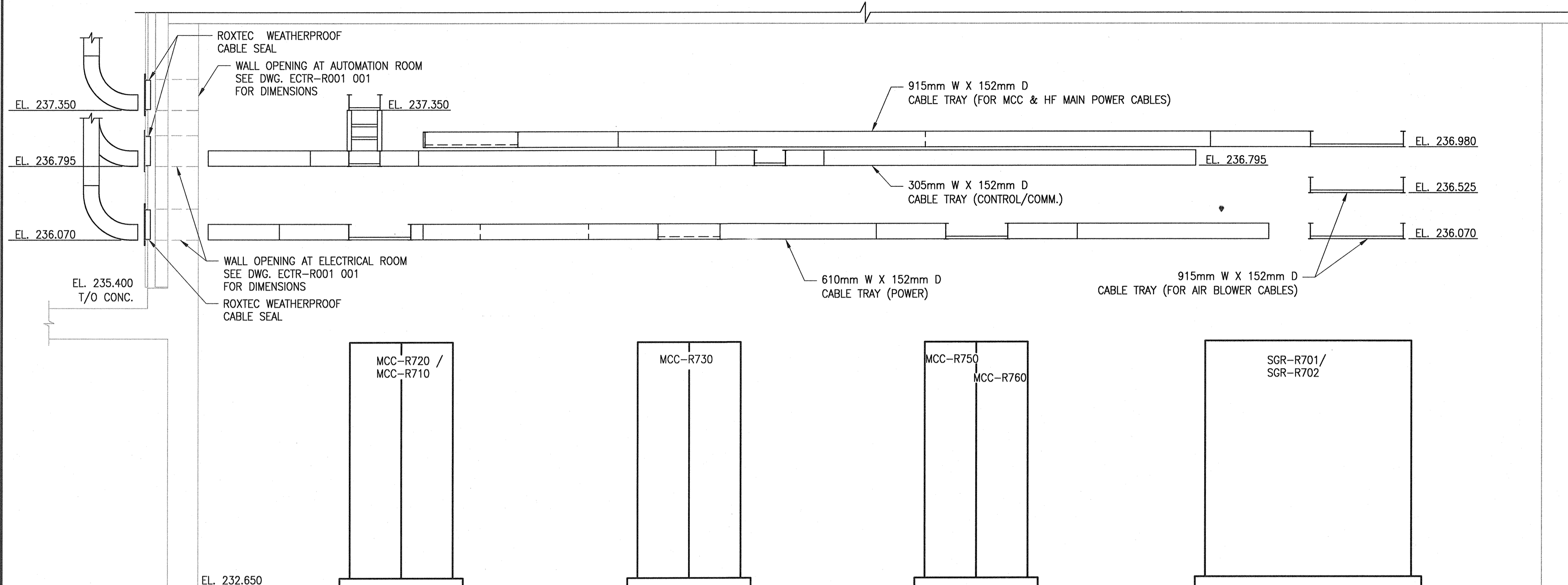
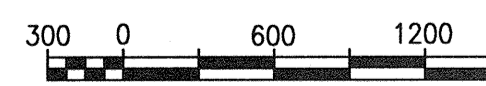


A1 SIZE - 594mm x 841mm



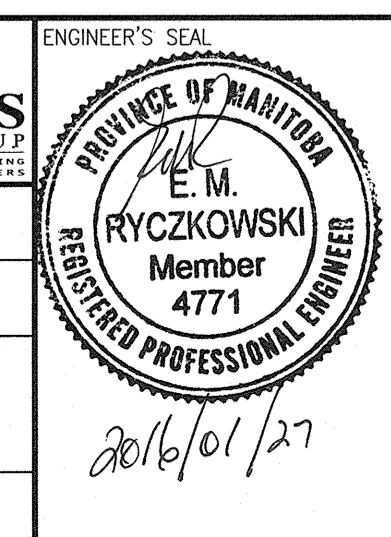
LAST SAVE: 2016/01/27 - 1:02pm  
PATH: C:\p\_w\work\ch2m\ch2m\1-0102-ECTR-R004-001.dwg

1:30



|     |                                   |         |        |       |
|-----|-----------------------------------|---------|--------|-------|
| 00  | ISSUED FOR TENDER - B.O. 899-2015 | 01/2016 | SLJ    | DEB   |
| NO. | REVISIONS                         | DATE    | DESIGN | CHECK |

|                            |  |
|----------------------------|--|
| <b>CH2MHILL</b>            |  |
| DESIGNED BY:<br>S. JUGANAS | CHECKED BY:<br>D. BECKER                 |
| DRAWN BY:<br>S. JUGANAS    | APPROVED BY:<br>E. RYCZKOWSKI            |
| SCALE:<br>AS NOTED         | ISSUED FOR CONSTRUCTION BY:<br>T. TURZAK |
| DATE:<br>2015/08/25        | DATE:<br>2016/01/29                      |
| CONSULTANT NO.: 474248     |  |



**THE CITY OF WINNIPEG**  
WATER AND WASTE DEPARTMENT

SOUTH END WATER POLLUTION CONTROL CENTRE  
SEWPCC UPGRADING/EXPANSION PROJECT  
ELECTRICAL - CABLE TRAY  
BIOREACTORS/BLOWER BUILDING  
SECTIONS AND DETAILS

CITY DRAWING NUMBER: 1-0102-ECTR-R004  
SHEET: 001  
REV: 00  
SIZE: A1