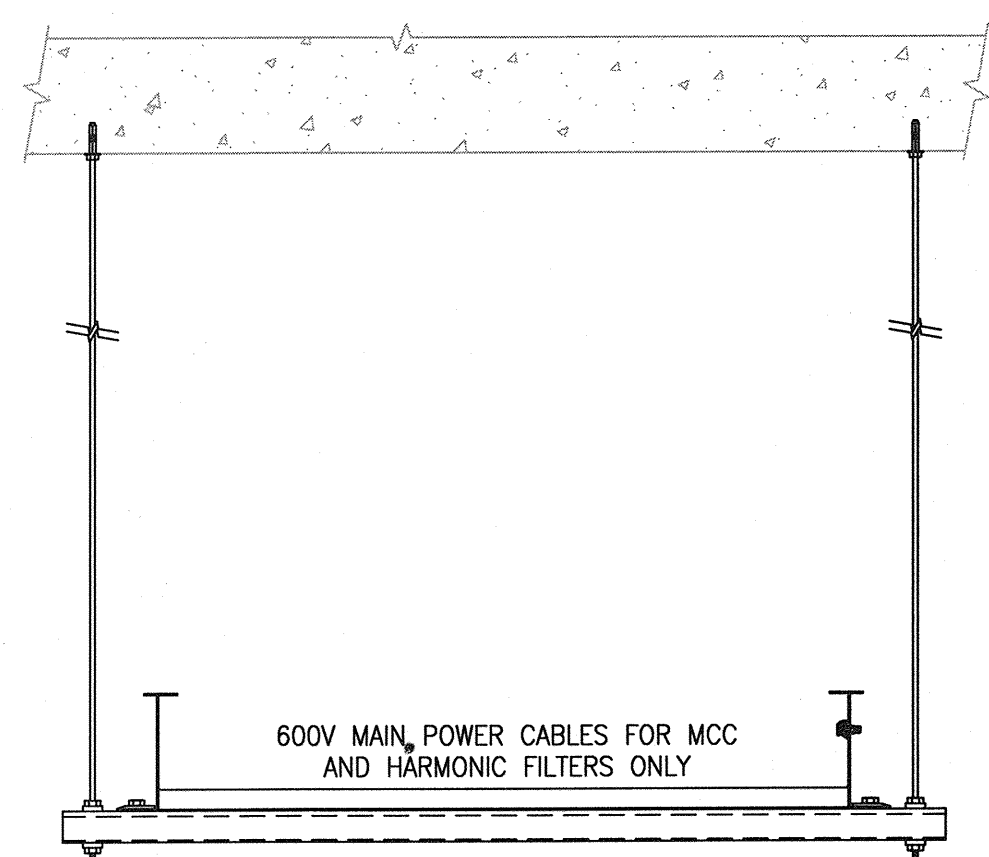
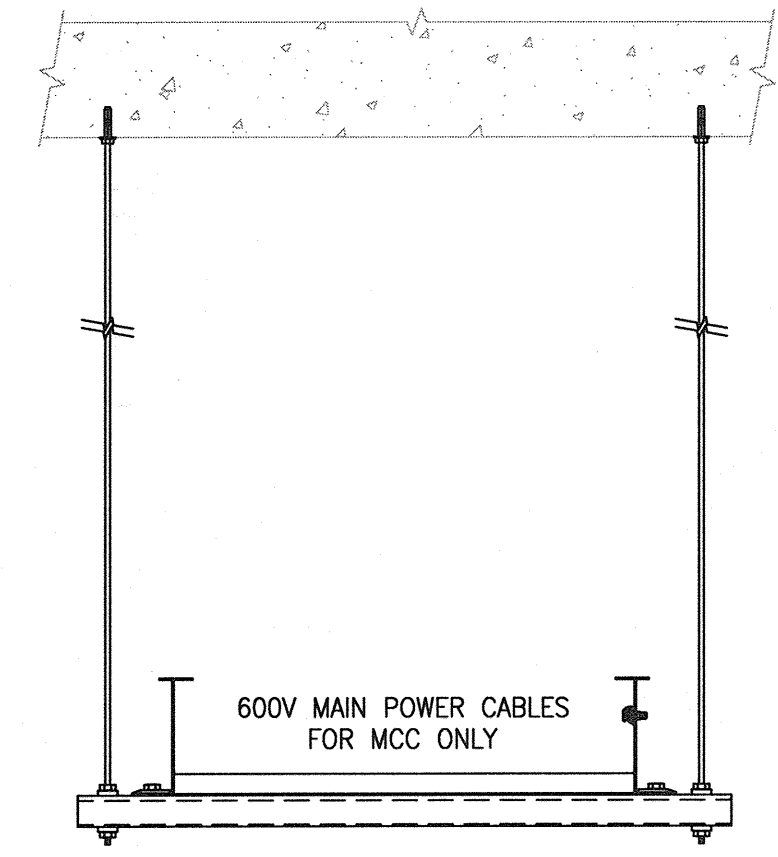


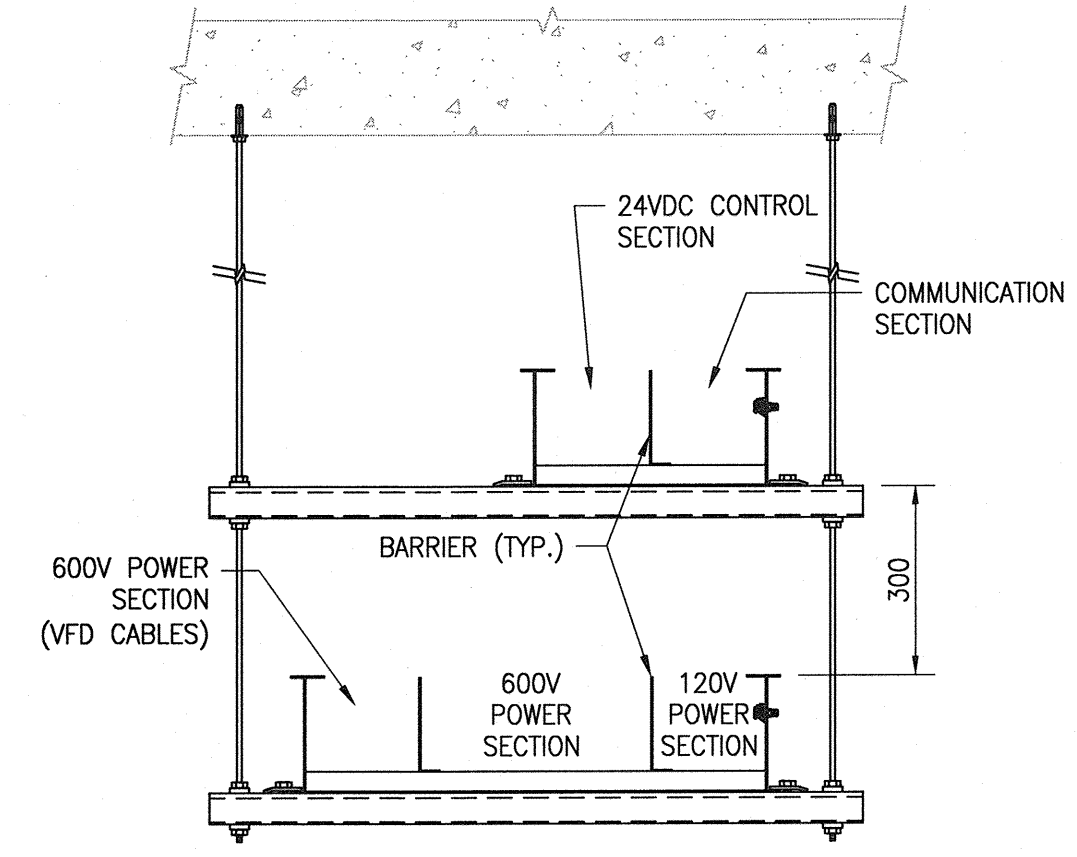
J TRAY RISER/DROP TRAPEZE SUPPORT
NTS
ECTR-R001 001
ECTR-R002 002



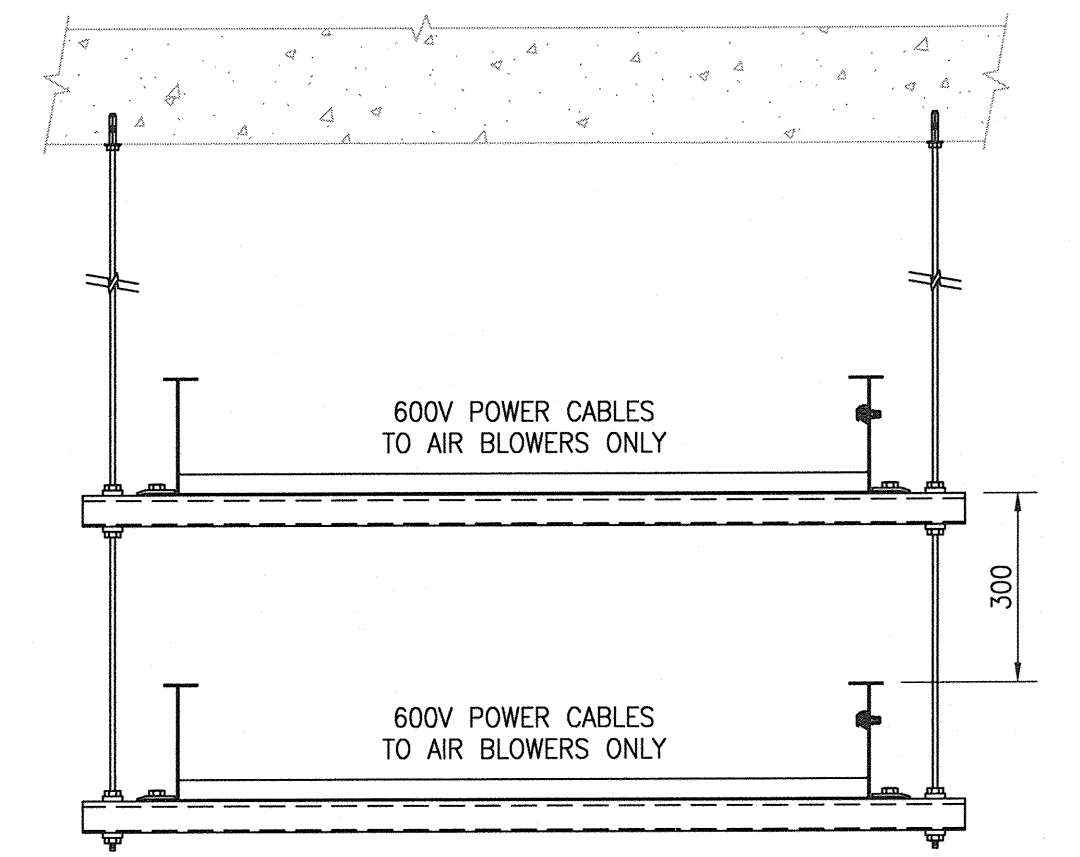
K TRAPEZE SUPPORT
NTS
ECTR-R001 003



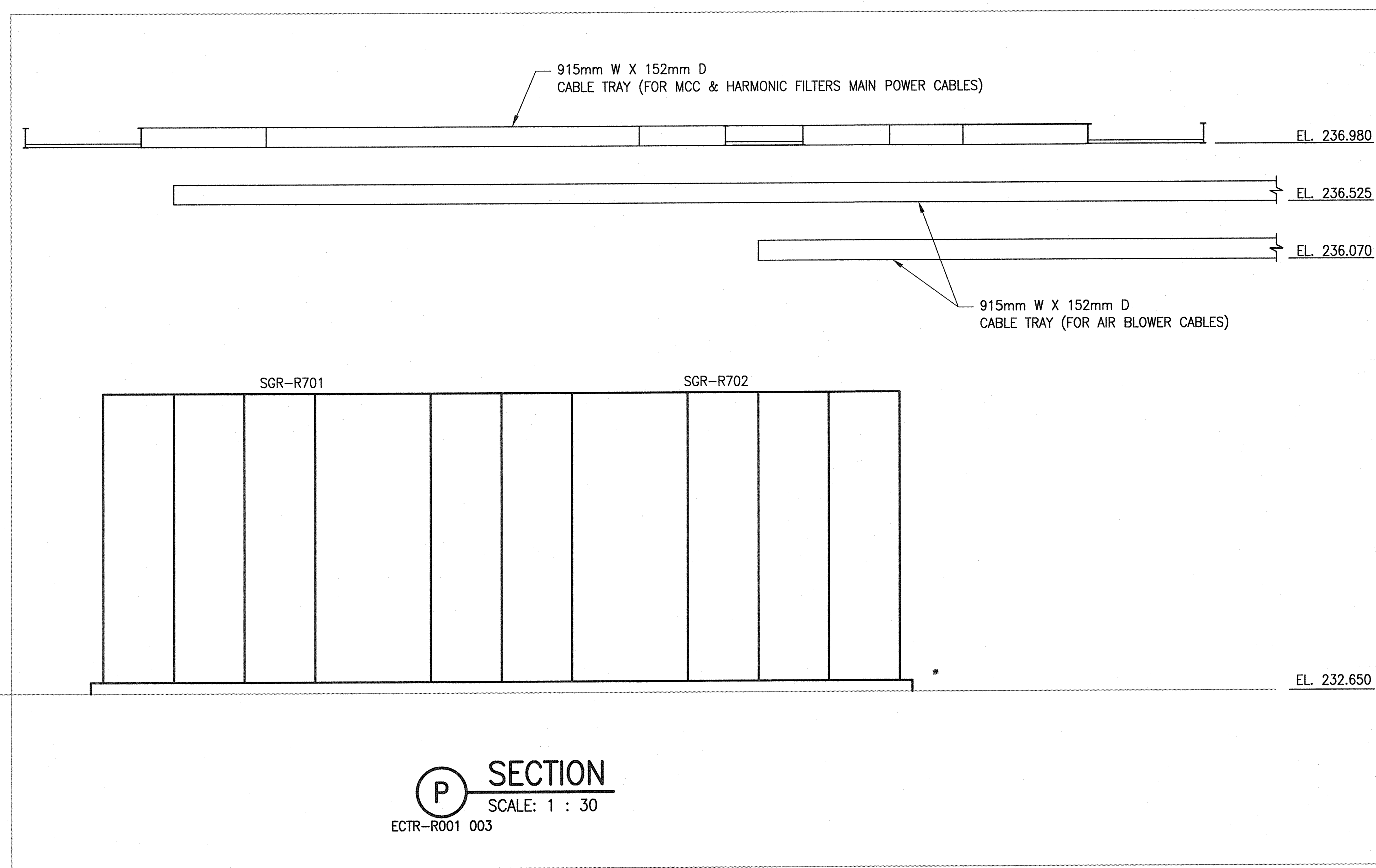
L TRAPEZE SUPPORT
NTS
ECTR-R001 003



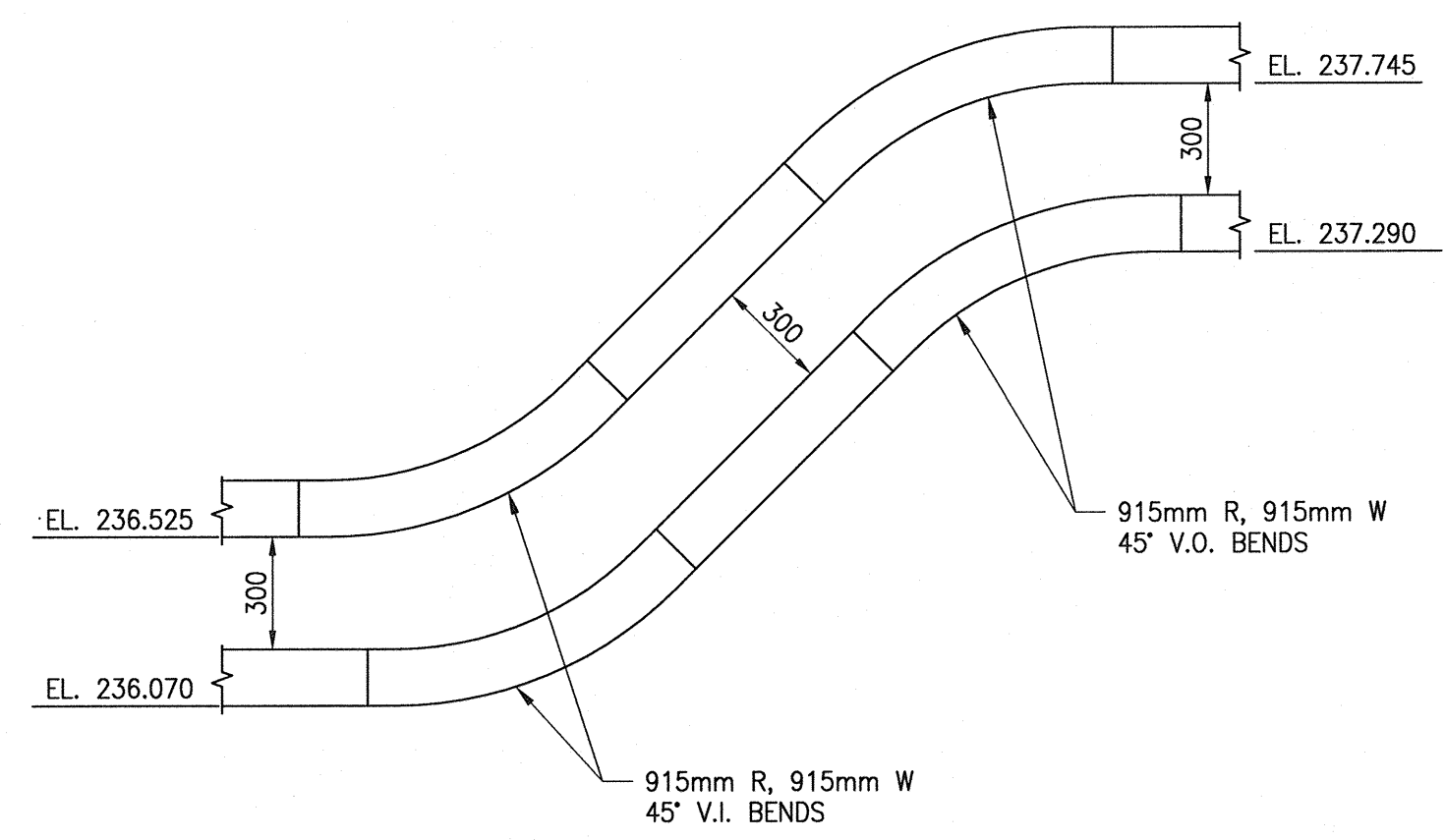
M TRAPEZE SUPPORT (2-TIER TRAY)
NTS
ECTR-R001 001,002



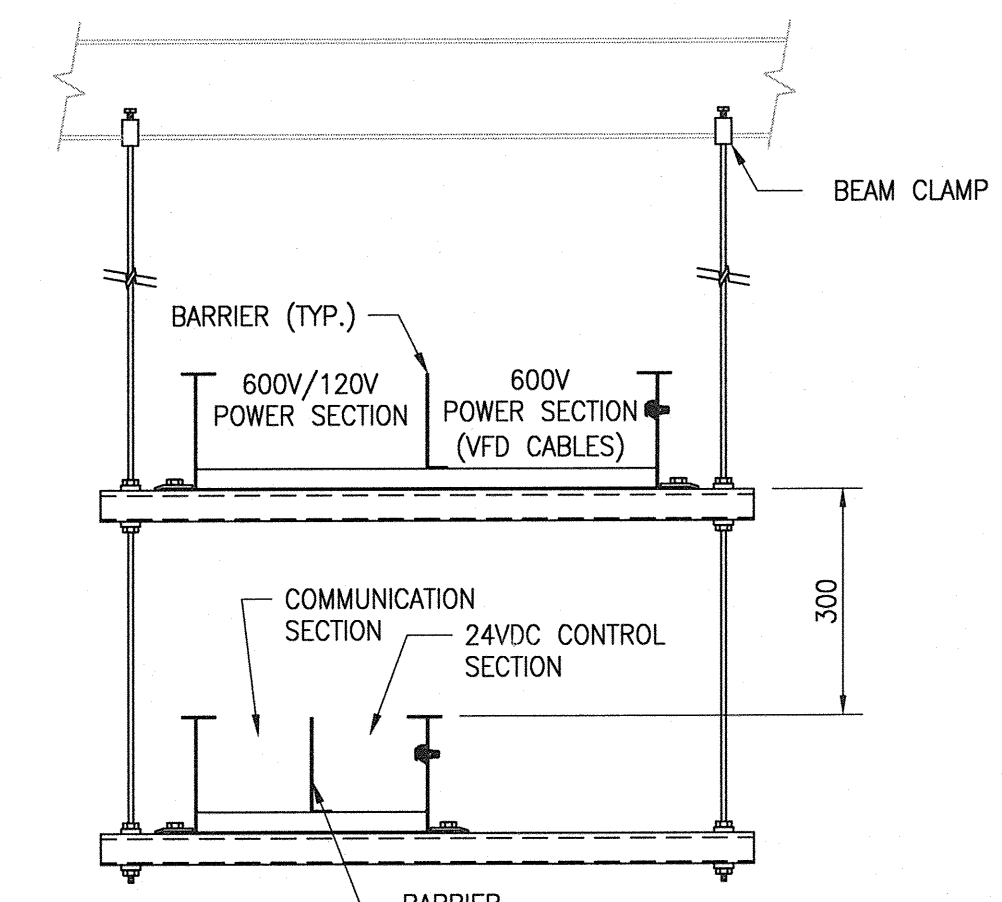
N TRAPEZE SUPPORT (2-TIER TRAY)
NTS
ECTR-R001 003,004



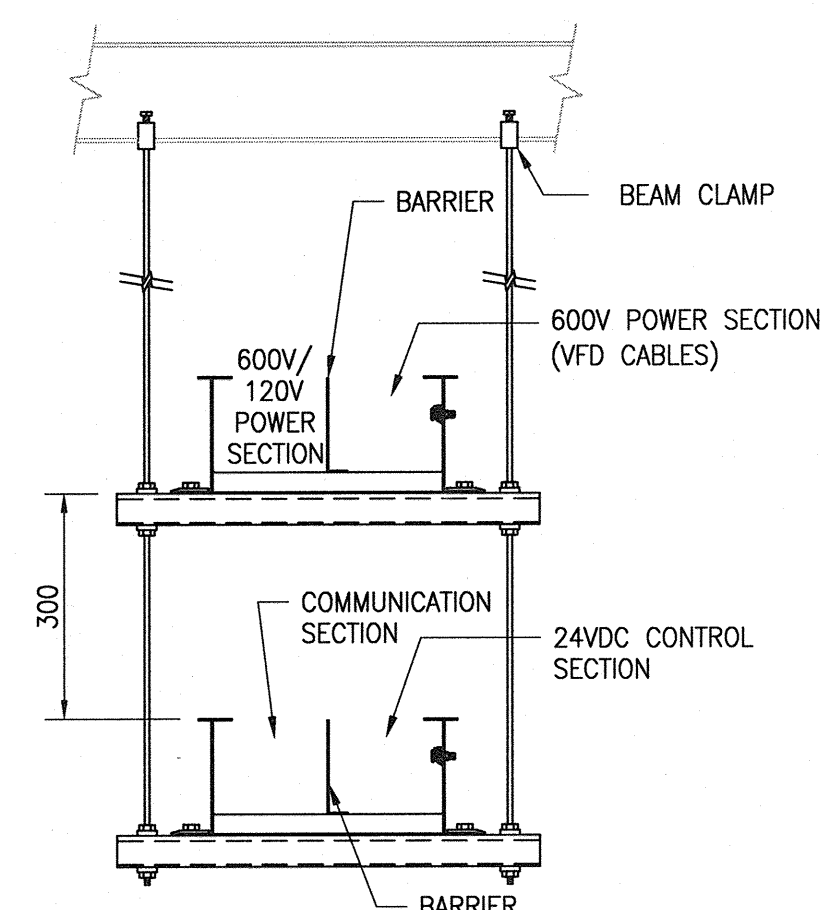
P SECTION
SCALE: 1 : 30
ECTR-R001 003



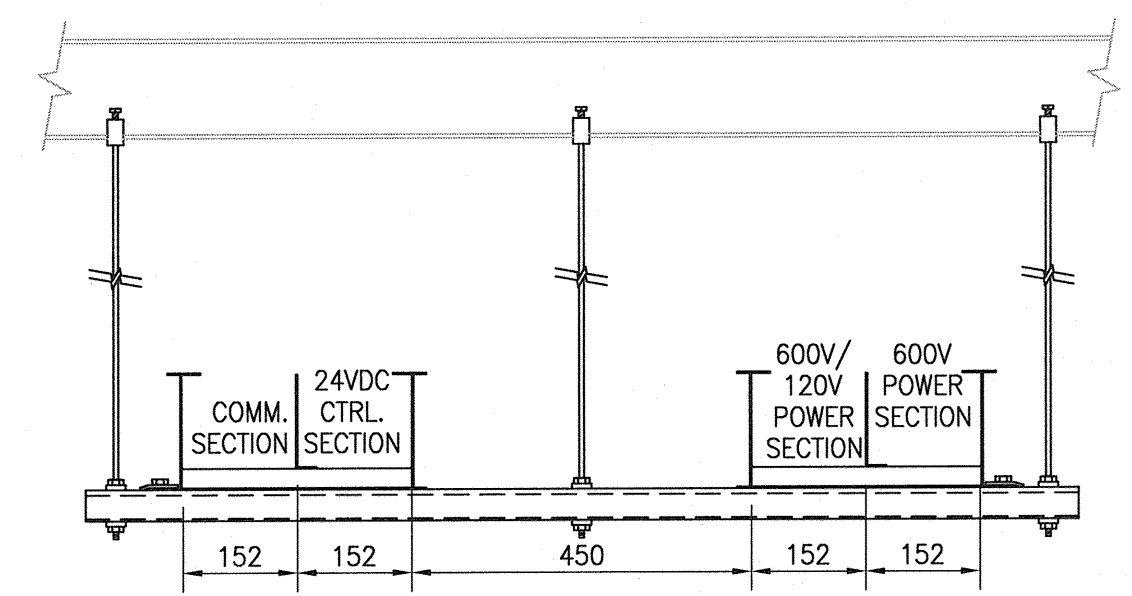
Q SECTION
NTS
ECTR-R001 003



R TRAPEZE SUPPORT (2-TIER TRAY)
NTS
ECTR-R003 002



S TRAPEZE SUPPORT (2-TIER TRAY)
NTS
ECTR-R003 001,002,003



T TRAPEZE SUPPORT (ADJACENT TRAYS)
NTS
ECTR-R003 001,002,003

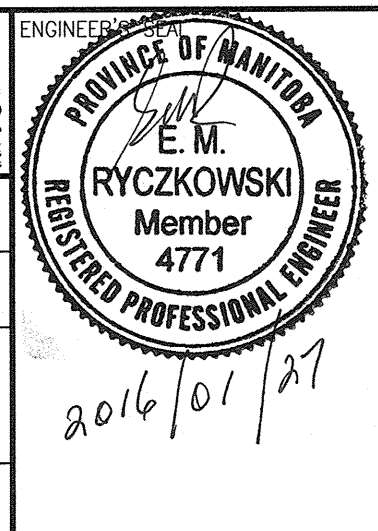
GENERAL NOTES:

- REFER TO DWG. 1-0102-ECTR-R001 001 FOR GENERAL NOTES.
- SECTIONS AND DETAILS SHOW GENERAL DESIGN CONCEPTS ONLY. ADJUST INSTALLATION AND MATERIALS TO REFLECT ACTUAL ON-SITE CONDITIONS / INSTALLATIONS.
- CABLE TRAY SUPPORTS ARE NOT SHOWN ON SECTION DRAWING. CONTRACTOR TO PROVIDE ALL THE REQUIRED SUPPORTS IN ACCORDANCE WITH THE MANUFACTURER'S RECOMMENDATION AND IN ACCORDANCE WITH NEMA VE2.



| NO. | REVISIONS | DATE | DESIGN | CHECK |
|-----|-----------------------------------|---------|--------|-------|
| 00 | ISSUED FOR TENDER - B.O. 899-2015 | 01/2016 | SLJ | DEB |

CH2MHILL.
SNC-Lavalin
DESIGNED BY: S. JUGANAS
CHECKED BY: D. BECKER
DRAWN BY: S. JUGANAS
APPROVED BY: E. RYCZKOWSKI
SCALE: AS NOTED
ISSUED FOR CONSTRUCTION BY: T. TURZAK
DATE: 2015/10/02
DATE: 2016/01/29
CONSULTANT NO.: 474248



THE CITY OF WINNIPEG
WATER AND WASTE DEPARTMENT
SOUTH END WATER POLLUTION CONTROL CENTRE
SEWPPCC UPGRADING/EXPANSION PROJECT
ELECTRICAL - CABLE TRAY
BIOREACTORS/BLOWER BUILDING
SECTIONS AND DETAILS
CITY DRAWING NUMBER: 1-0102-ECTR-R004
SHEET: 002
REV: 00
SIZE: A1