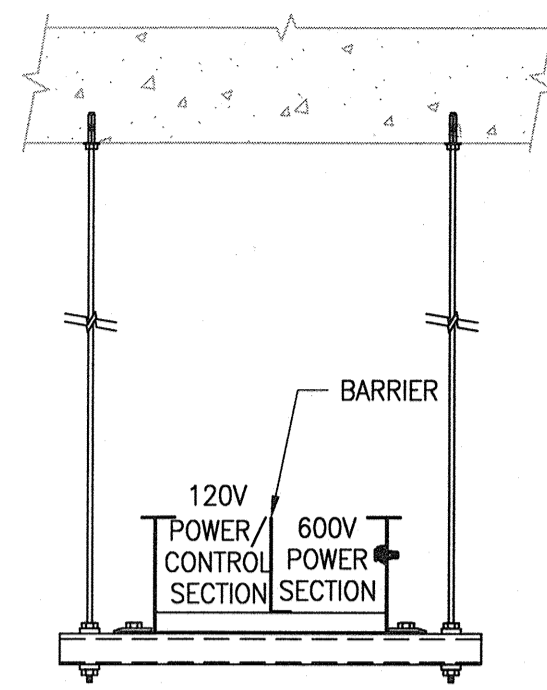
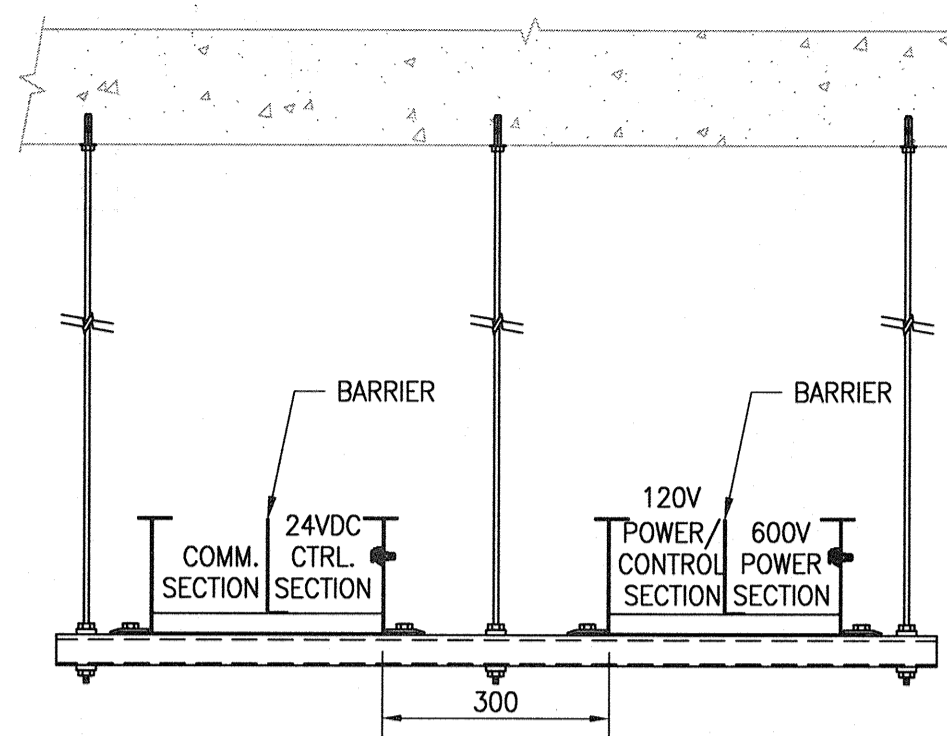


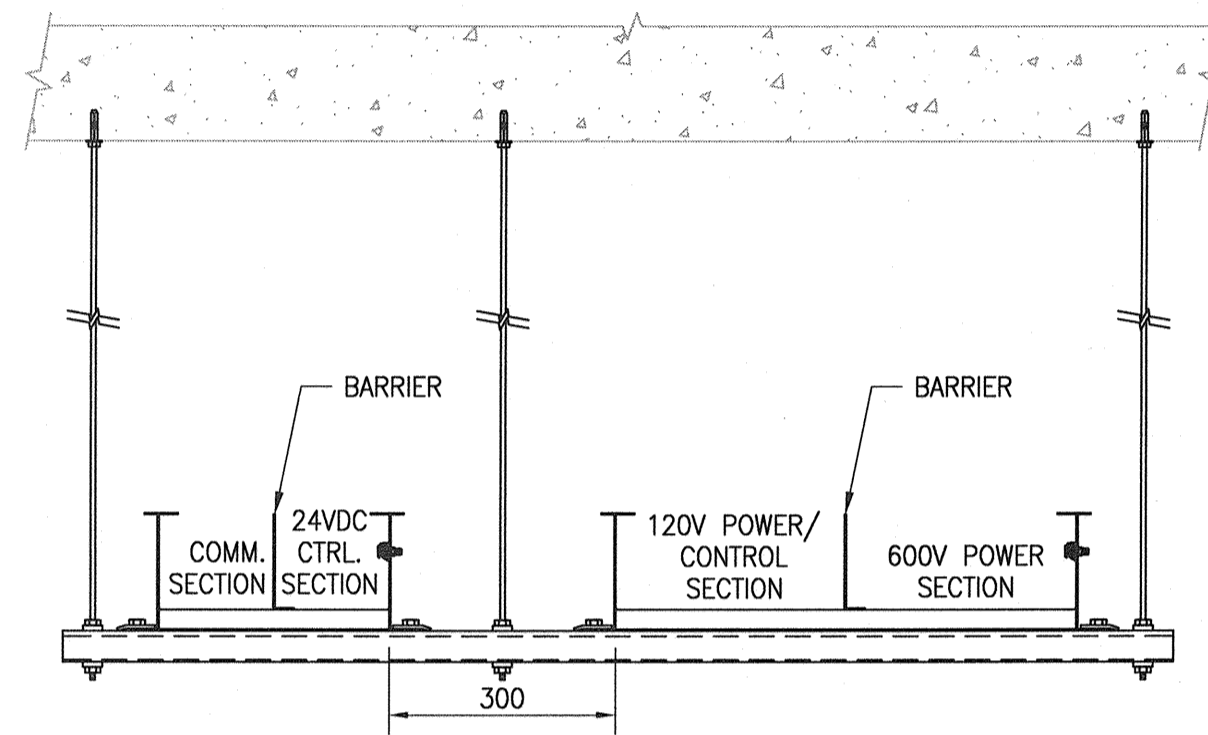
A TRAPEZE SUPPORT
SCALE: NTS
ECTR-S002, S003



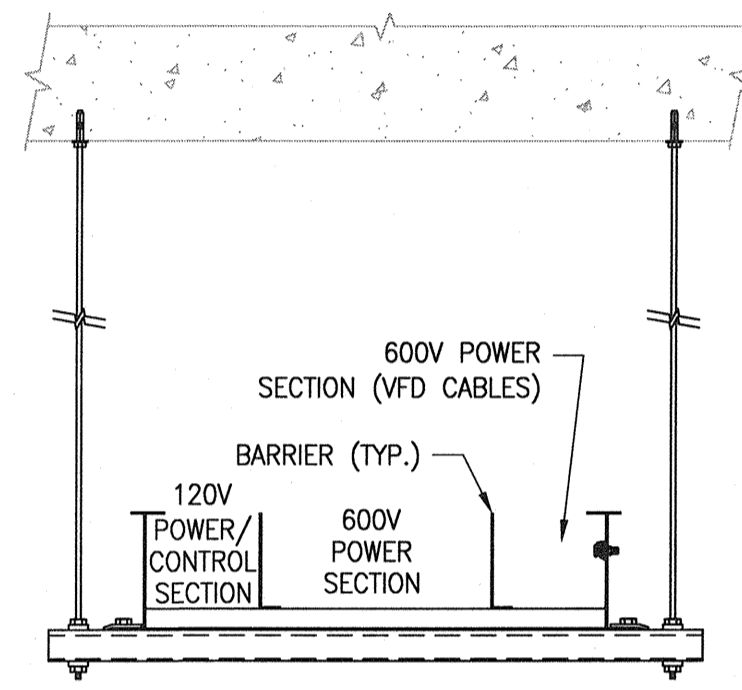
B TRAPEZE SUPPORT
SCALE: NTS
ECTR-S002



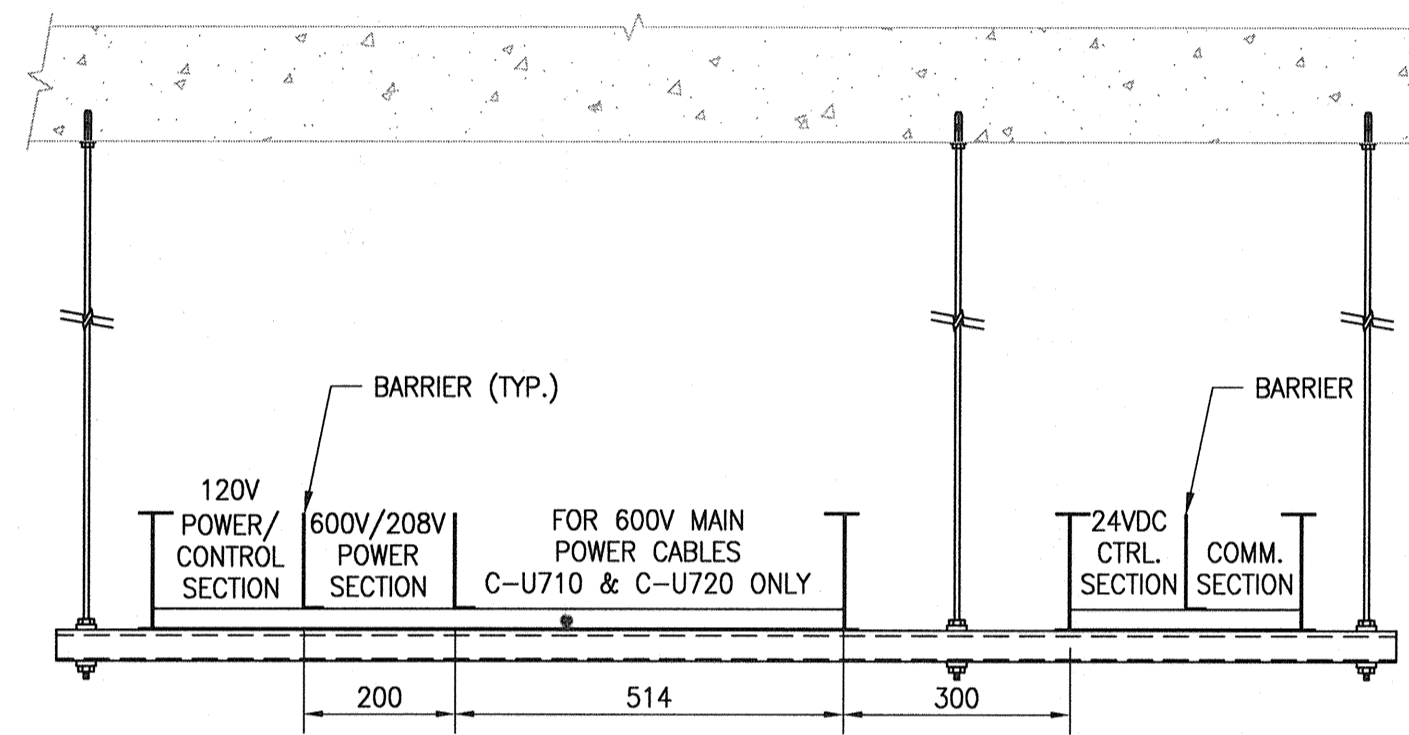
C TRAPEZE SUPPORT (ADJACENT TRAYS)
SCALE: NTS
ECTR-S002



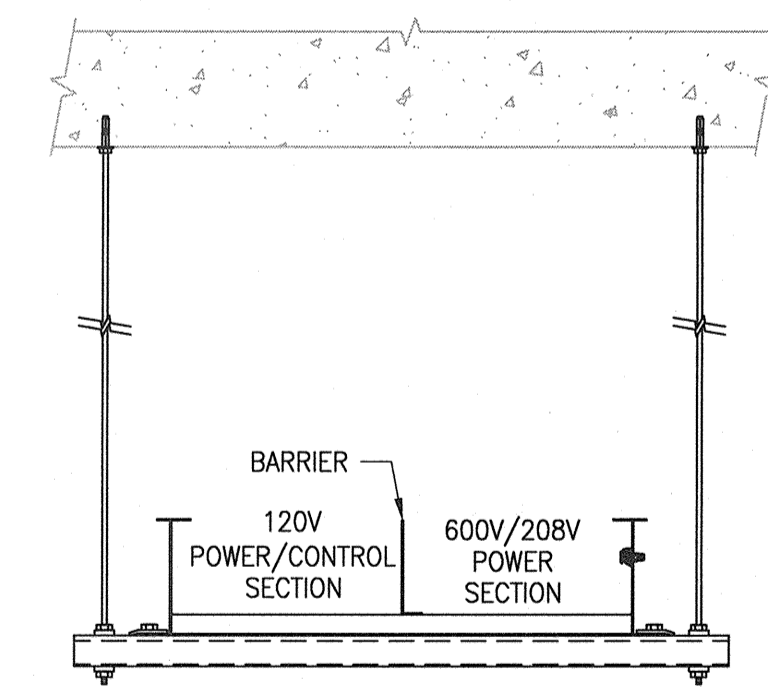
D TRAPEZE SUPPORT (ADJACENT TRAYS)
SCALE: NTS
ECTR-S002



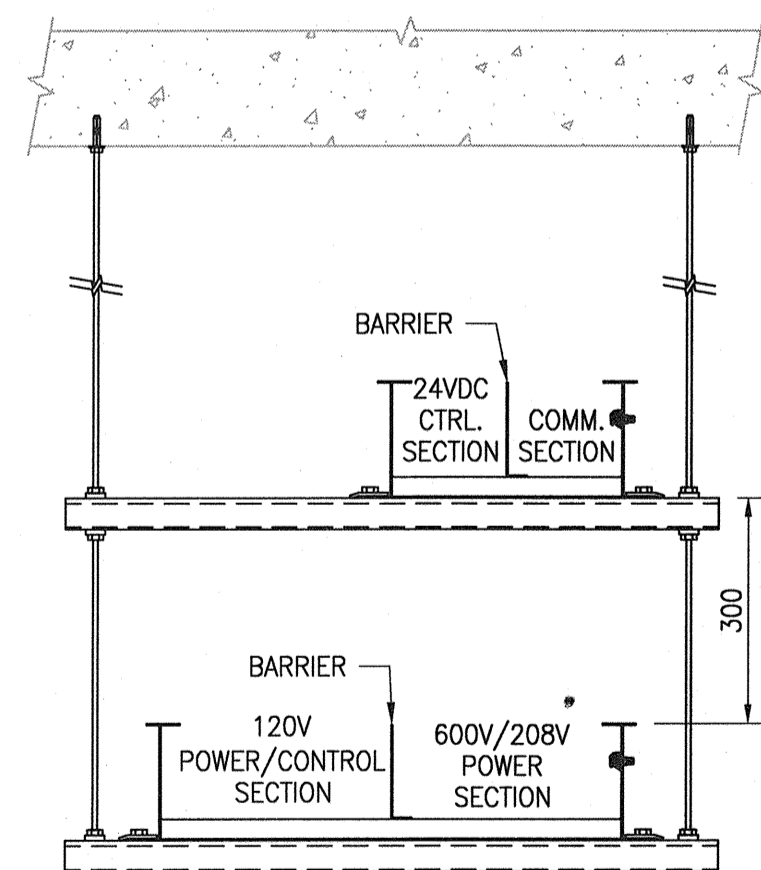
E TRAPEZE SUPPORT
SCALE: NTS
ECTR-S002



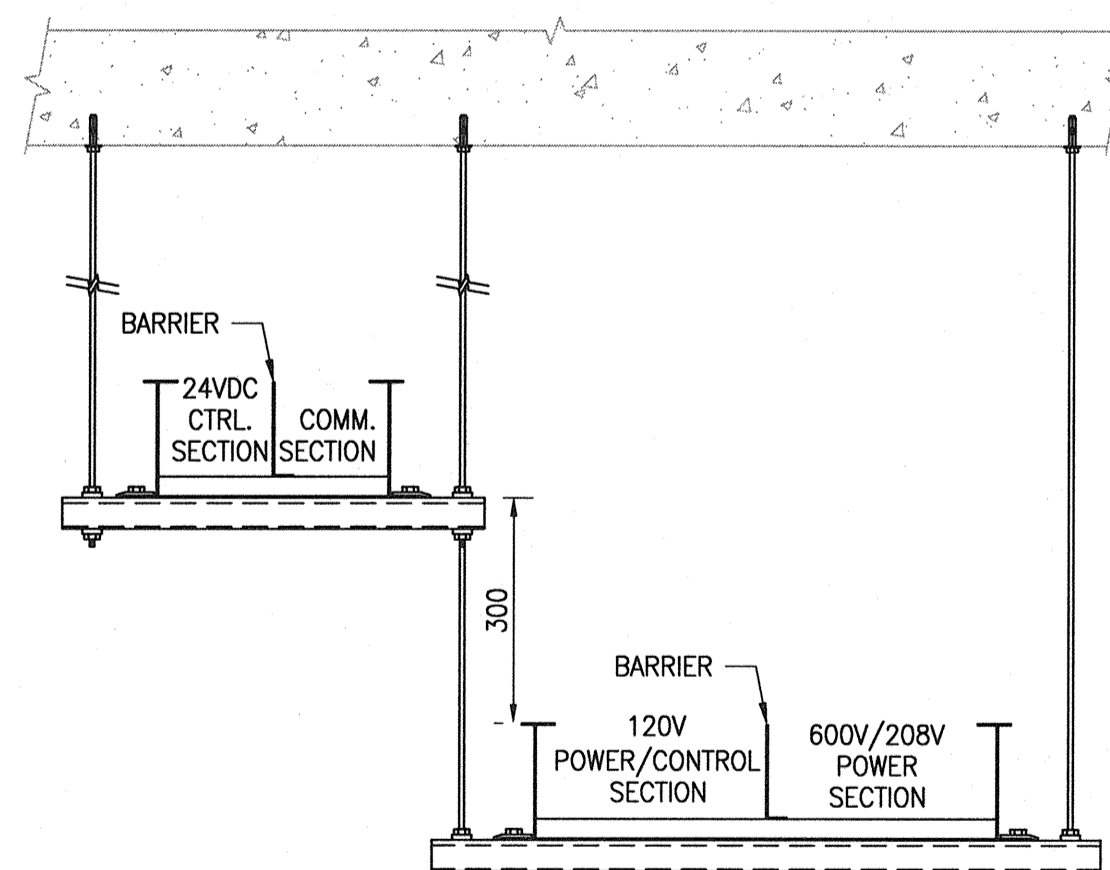
F TRAPEZE SUPPORT (ADJACENT TRAYS)
SCALE: NTS
ECTR-S003



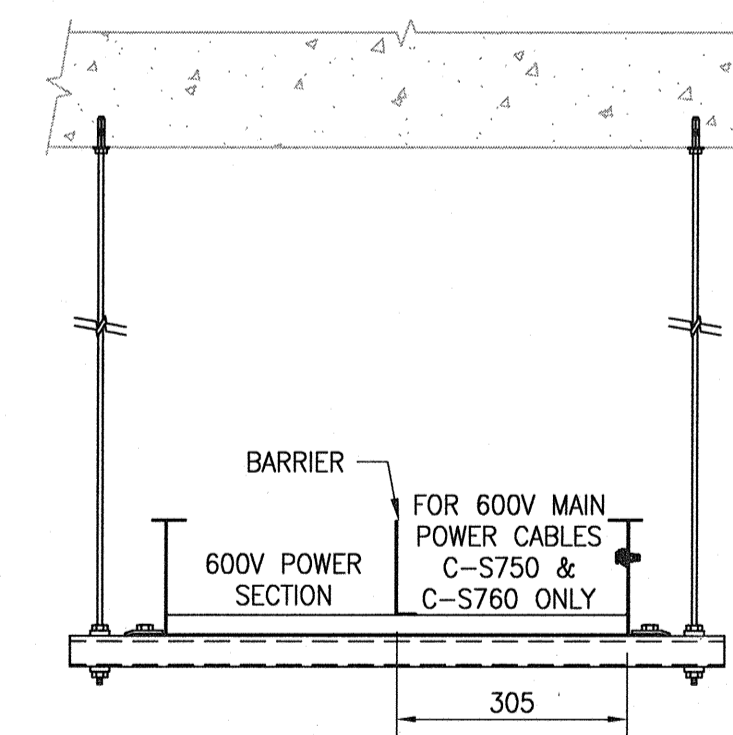
G TRAPEZE SUPPORT
SCALE: NTS
ECTR-S003



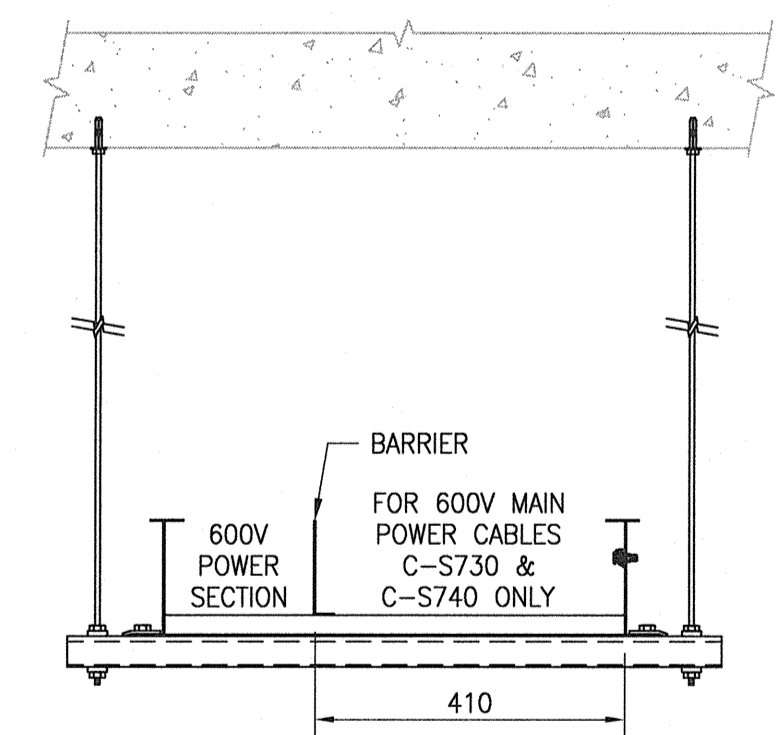
H TRAPEZE SUPPORT (2-TIER TRAY)
SCALE: NTS
ECTR-S003



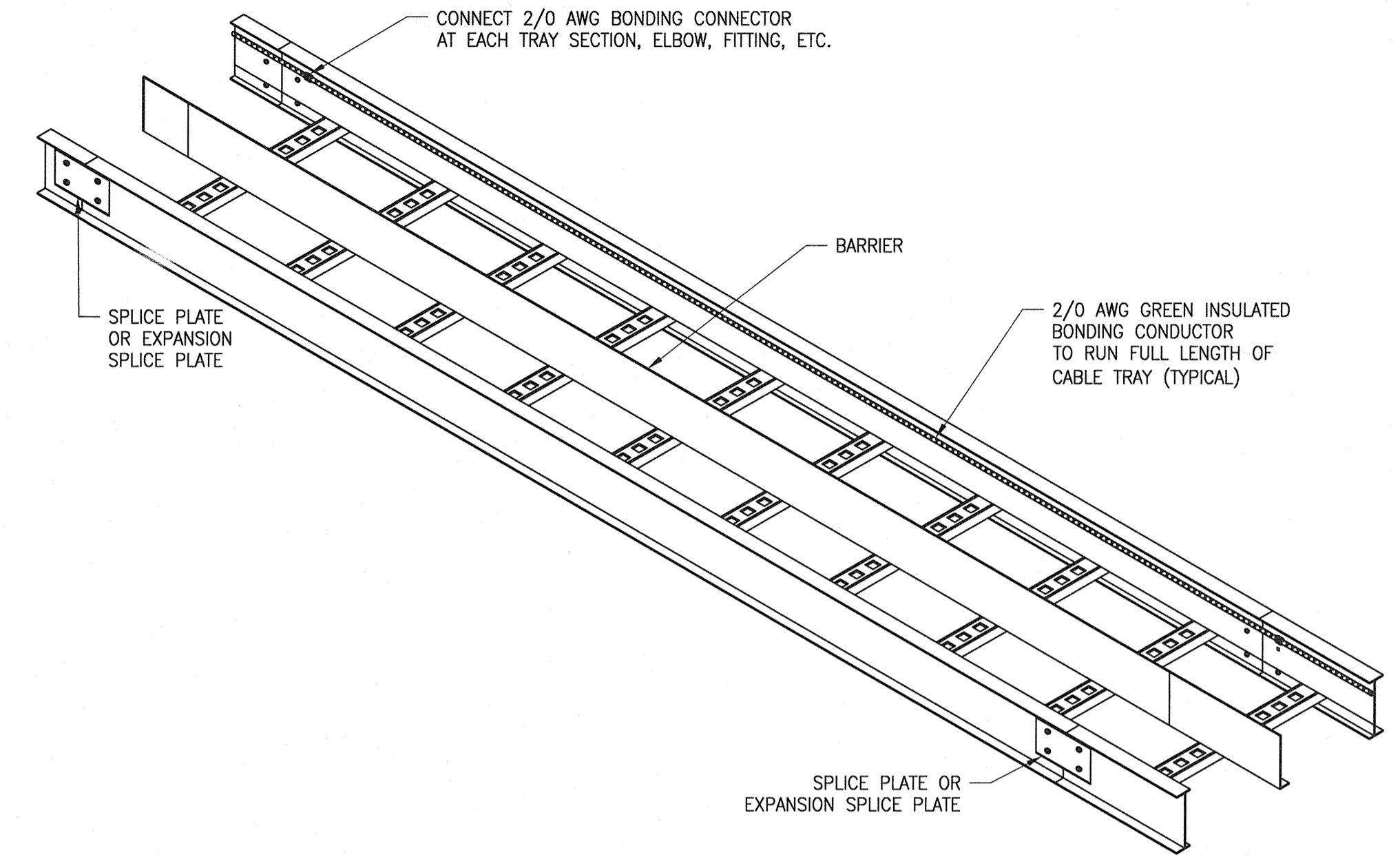
I TRAPEZE SUPPORT (ADJACENT TRAYS)
SCALE: NTS
ECTR-S003



J TRAPEZE SUPPORT
SCALE: NTS
ECTR-S003



K TRAPEZE SUPPORT
SCALE: NTS
ECTR-S003



TYPICAL HORIZONTAL CABLE TRAY RUN (1 BARRIER SHOWN)
SCALE: NTS

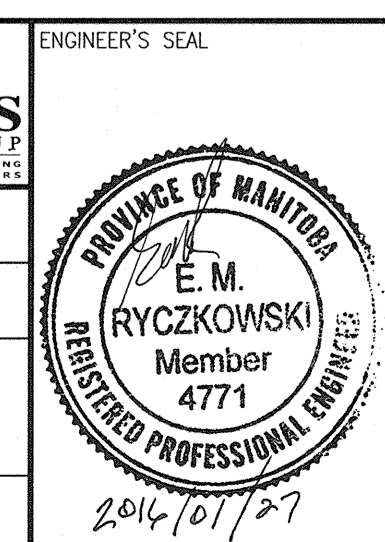
GENERAL NOTES:

- REFER TO DWG. 1-0102-ECTR-S002 001 FOR GENERAL NOTES.
- SECTIONS AND DETAILS SHOW GENERAL DESIGN CONCEPTS ONLY. ADJUST INSTALLATION AND MATERIALS TO REFLECT ACTUAL ON-SITE CONDITIONS / INSTALLATIONS.
- CABLE TRAY SUPPORTS ARE NOT SHOWN ON SECTION DRAWING. CONTRACTOR TO PROVIDE ALL THE REQUIRED SUPPORTS IN ACCORDANCE WITH THE MANUFACTURER'S RECOMMENDATION AND IN ACCORDANCE WITH NEMA VE2.



NO.	REVISIONS	DATE	DESIGN	CHECK
00	ISSUED FOR TENDER - B.O. 899-2015	01/2016	SLJ	DEB

CH2MHILL.		ENGINEER'S SEAL	
DESIGNED BY: S. JUGANAS	CHECKED BY: D. BECKER		THE CITY OF WINNIPEG WATER AND WASTE DEPARTMENT SOUTH END WATER POLLUTION CONTROL CENTRE SEWPCC UPGRADING/EXPANSION PROJECT ELECTRICAL - CABLE TRAY SECONDARY CLARIFIER 4 AND 5 SECTIONS AND DETAILS
DRAWN BY: S. JUGANAS	APPROVED BY: E. RYCKOWSKI		
SCALE: NTS	ISSUED FOR CONSTRUCTION BY: T. TURZAK		
DATE: 2015/12/11	DATE: 2016/01/29		
CONSULTANT NO.: 474248		CITY DRAWING NUMBER: 1-0102-ECTR-S004	



CITY DRAWING NUMBER	SHEET	REV.	SIZE
1-0102-ECTR-S004	001	00	A1