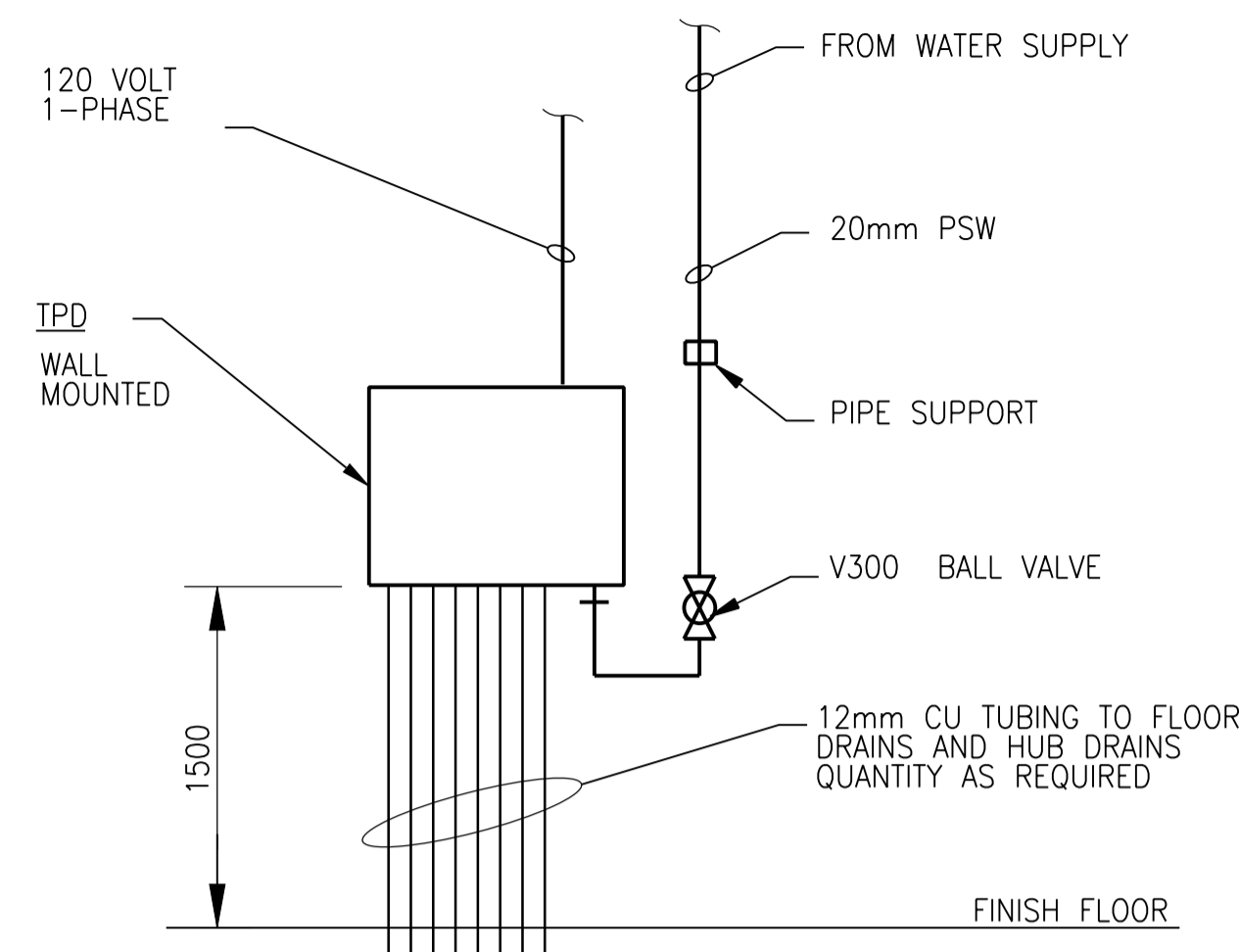


- NOTES:
1 DO NOT CONNECT PRESSURE GAUGE LINES TO SEAL FLUSH LINES.
2 PRESSURE GAUGE LINES TO BE SCHED 40 BLACK STEEL.

TYPICAL VERTICAL IN-LINE PUMP DETAIL
NTS

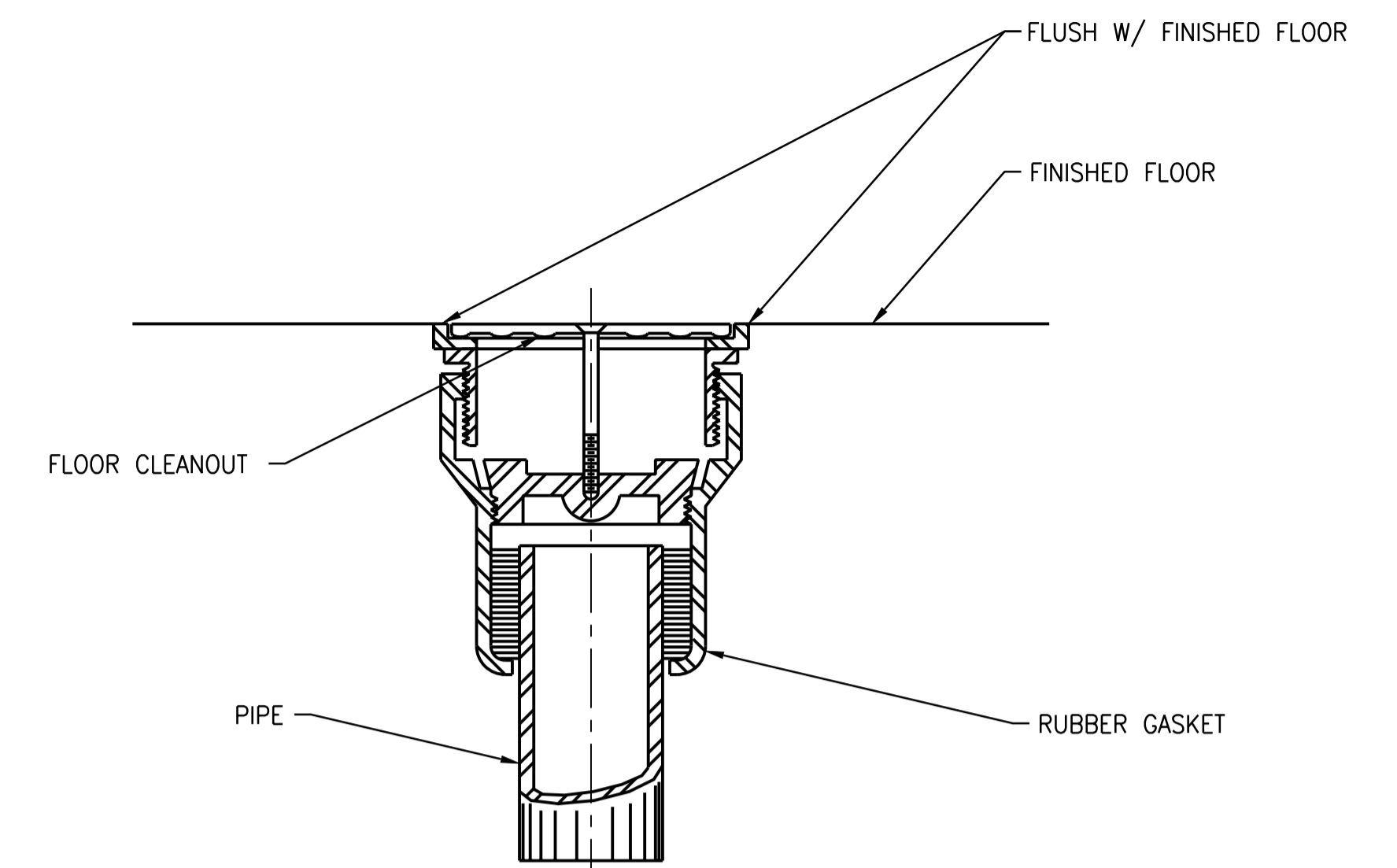
2210-901



ELEVATION

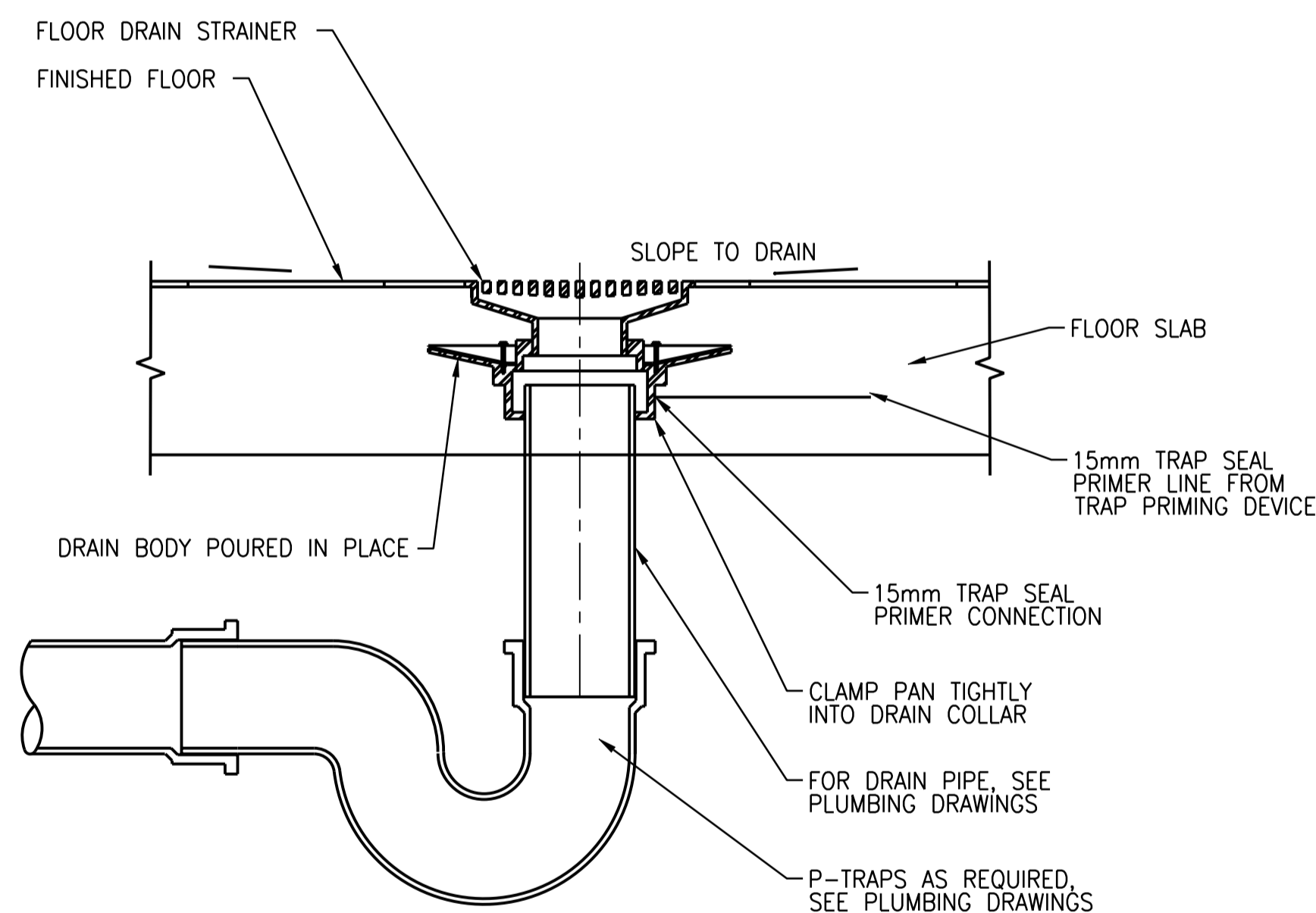
ELECTRONIC TRAP PRIMER
NTS

2213-411



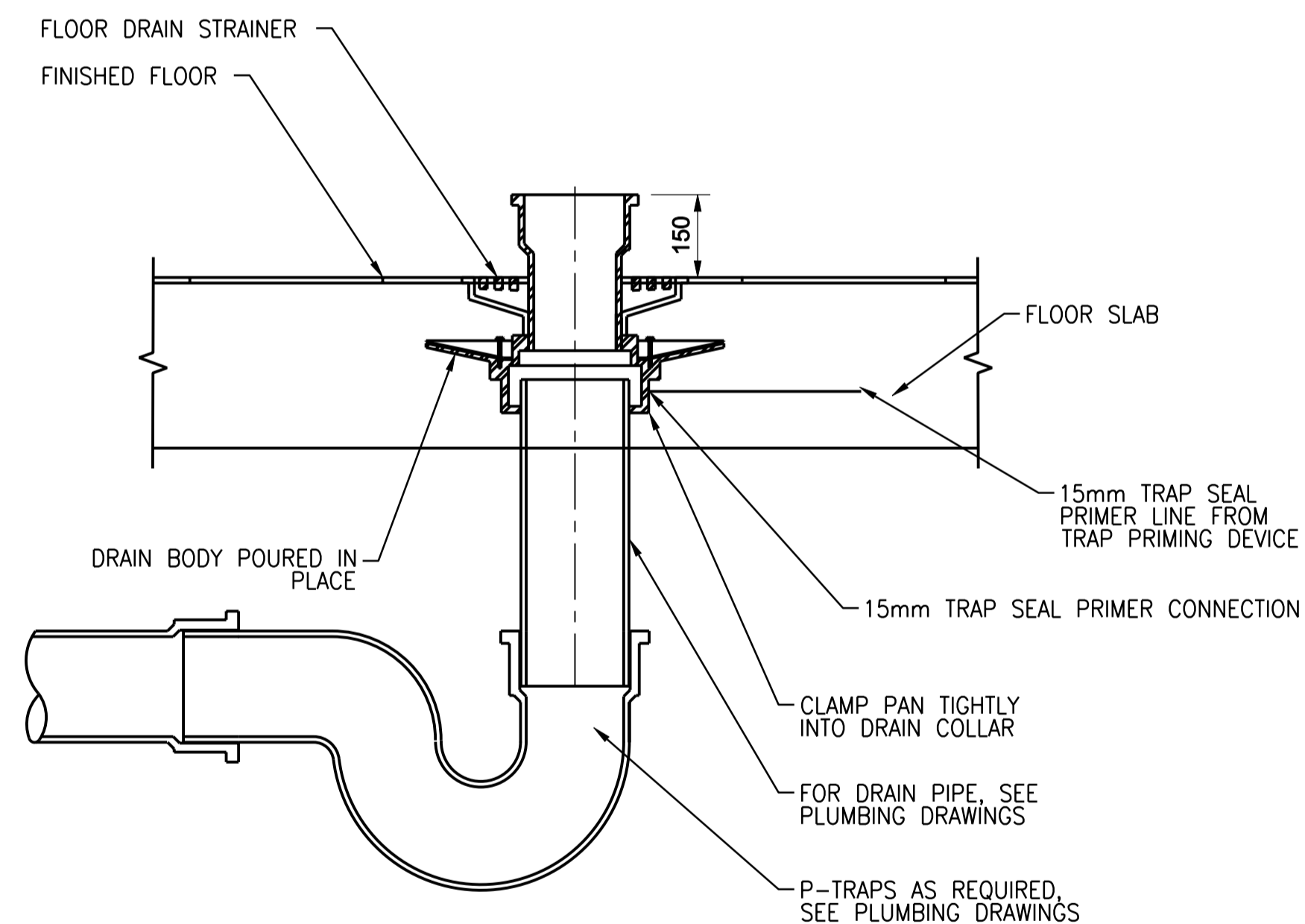
FLOOR CLEANOUT

2213-501



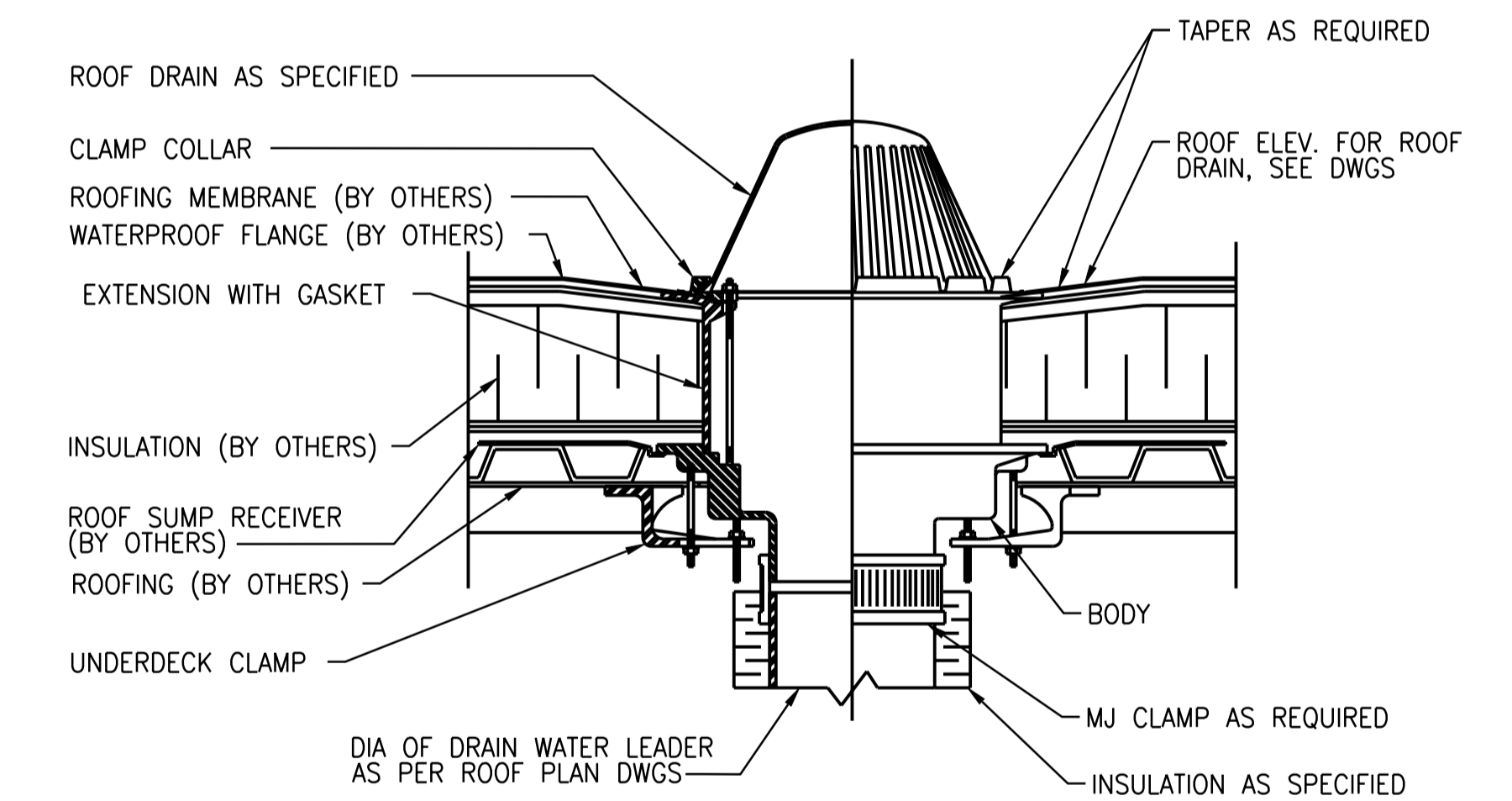
FLOOR DRAIN
NTS

2213-502



FUNNEL FLOOR DRAIN
NTS

2213-503



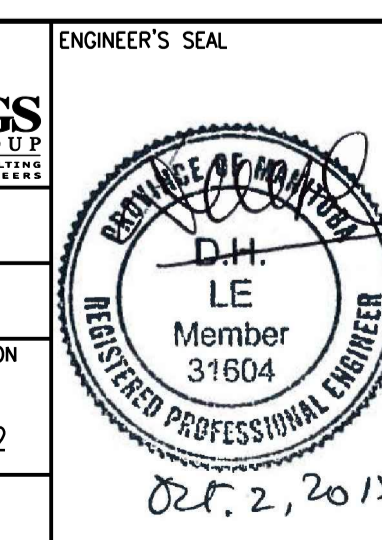
- NOTE:
1. LOCATION AND SIZE OF ROOF DRAIN, SEE ROOFING PLAN DWGS.

ROOF DRAIN (RD-1)
NTS

2213-504



CH2MHILL.			
SNC-LAVALIN		KCS GROUP CONSULTING ENGINEERS	
DESIGNED BY:	T. TRAN	CHECKED BY:	D. LE
DRAWN BY:	K. FONG	APPROVED BY:	T. TRAN
SCALE:	NTS	ISSUED FOR CONSTRUCTION BY:	T. TURZAK
		DATE:	2015/08/13
		DATE:	2015/10/02
		CONSULTANT NO.:	474248
01	ISSUED FOR CONSTRUCTION	10/2015	K.F. J.C.
00	ISSUED FOR TENDER	08/2015	K.F. J.C.
NO.	REVISIONS	DATE	DESIGN CHECK



THE CITY OF WINNIPEG
Winnipeg WATER AND WASTE DEPARTMENT

SOUTH END WATER POLLUTION CONTROL CENTRE
SEWPPC UPGRADING/EXPANSION PROJECT
MECHANICAL
PLUMBING
STANDARD DETAILS (2)

CITY DRAWING NUMBER: 1-0102-MDTL-A003

ENGINEER'S SEAL: D.H. LE, Member 31604, Registered Professional Engineer, Date: Oct. 2, 2015

SHEET	REV.	SIZE
01	01	A1