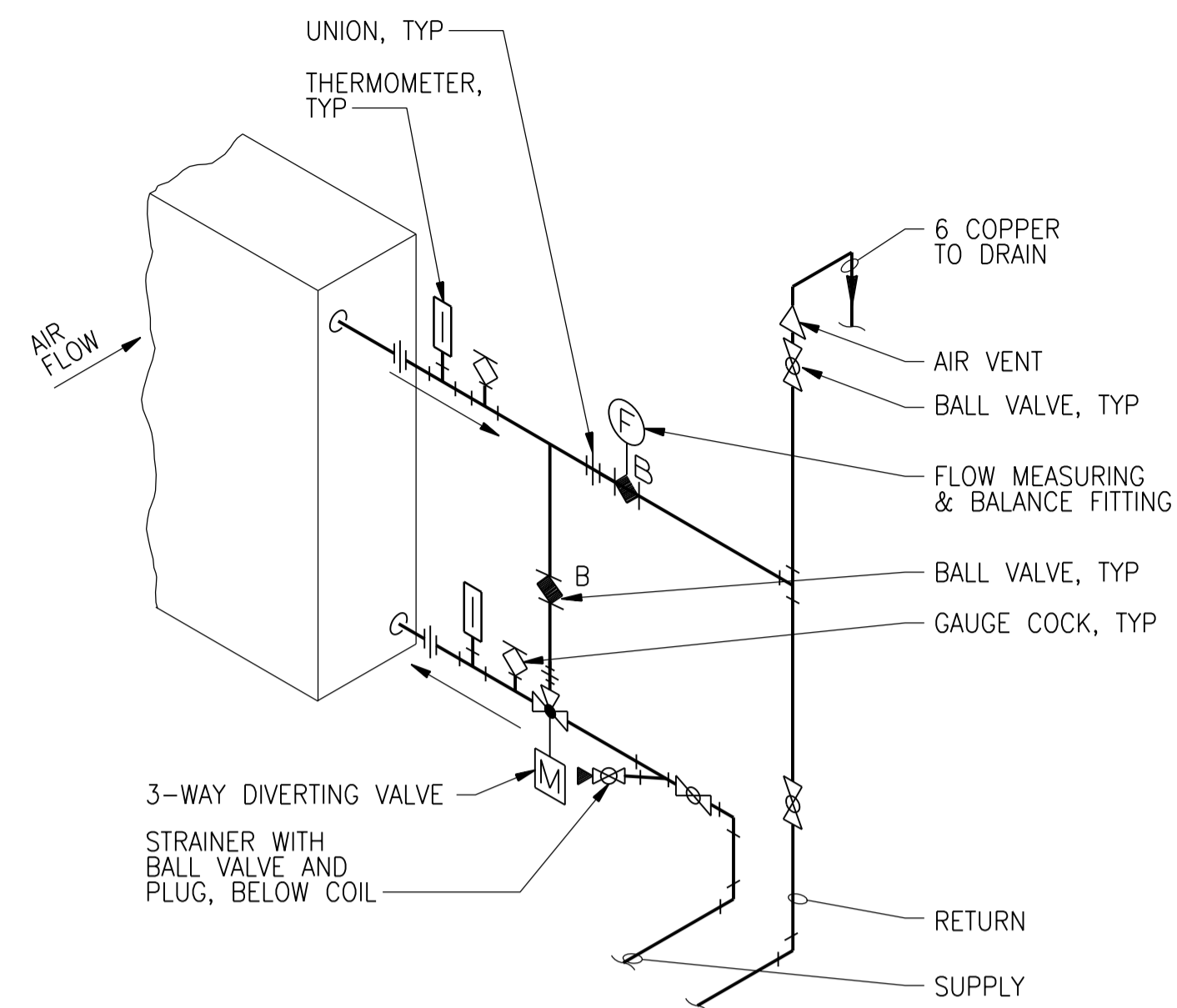


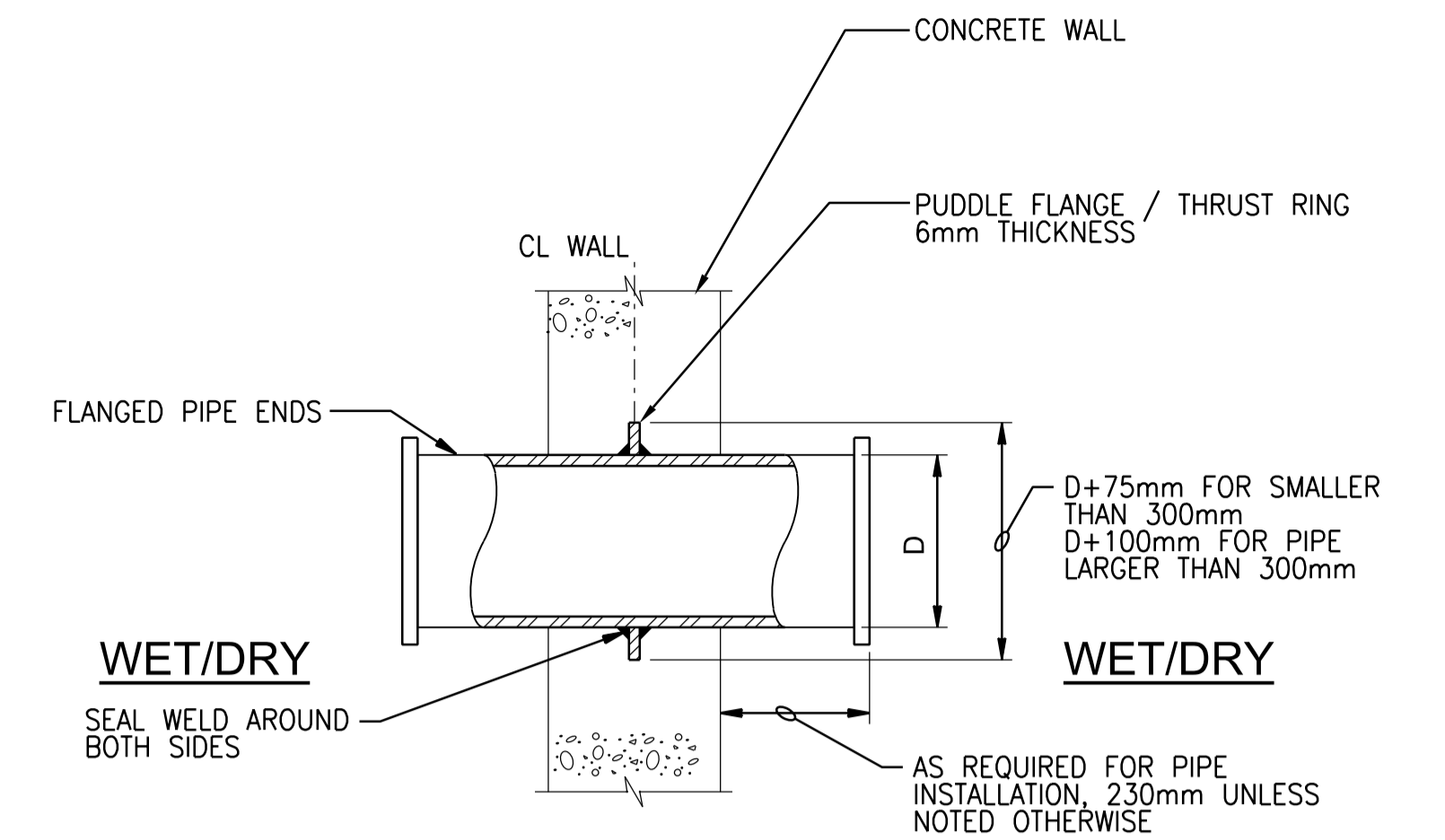
VERTICAL VENT TERMINAL/COMBUSTION AIR INLET
NTS

2355-425



PREHEAT COIL CONNECTION
NTS

2380-433



WALL OR SLAB PIPE PENETRATION
NTS

4027-605



00	ISSUED FOR TENDER - B.O. 899-2015	01/2016	K.F.	J.C.
NO.	REVISIONS	DATE	DESIGN	CHECK

CH2MHILL		KCS GROUP	
DESIGNED BY:	D. LE	CHECKED BY:	T. TRAN
DRAWN BY:	K. FONG	APPROVED BY:	H.T. FREIHAMMER
SCALE:	NTS	ISSUED FOR CONSTRUCTION BY:	T. TURZAK
DATE:	2016/01/29	DATE:	2016/01/29
CONSULTANT NO.:		474248	



THE CITY OF WINNIPEG WATER AND WASTE DEPARTMENT		
SOUTH END WATER POLLUTION CONTROL CENTRE SEWPCC UPGRADING/EXPANSION PROJECT MECHANICAL HVAC STANDARD DETAILS (5)		
CITY DRAWING NUMBER	SHEET	REV. SIZE
1-0102-MDTL-A009	00	A1