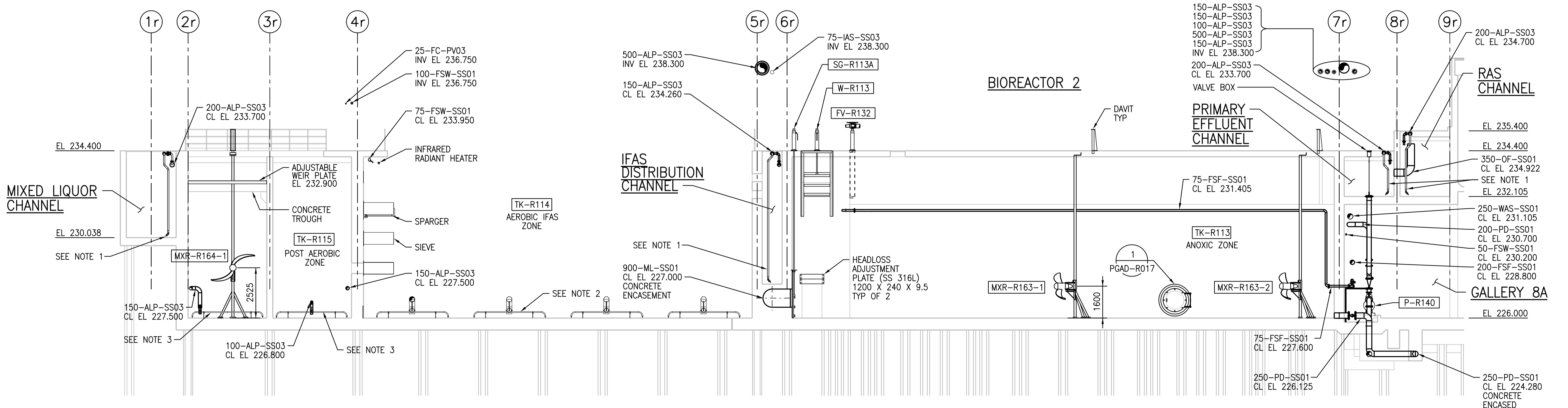


C SECTION
1:100
PGAD-R001
PGAD-R005
PGAD-R009



D SECTION
1:100
PGAD-R001
PGAD-R005
PGAD-R009

- NOTES:**
1. COARSE BUBBLE AERATION REMOVABLE MANIFOLD ASSEMBLIES TYPICAL (REFER TO VENDOR DRAWINGS FOR PLACEMENT LOCATION AND DETAILS).
 2. AEROBIC IFAS ZONE AERATION SYSTEM(REFER TO VENDOR DRAWINGS FOR PLACEMENT LOCATION AND DETAILS).
 3. POST AEROBIC ZONE AERATION ASSEMBLIES SYSTEM(REFER TO VENDOR DRAWINGS FOR PLACEMENT LOCATION AND DETAILS).



SNC-LAVALIN DESIGNED BY: F. ABSI DRAWN BY: B. COOPER SCALE: 1:100 DATE: 2016/01/29		CHECKED BY: B. EDGAR APPROVED BY: H.T. FREIHAMMER ISSUED FOR CONSTRUCTION BY: T. TURZAK DATE: 2016/01/29		THE CITY OF WINNIPEG WATER AND WASTE DEPARTMENT SOUTH END WATER POLLUTION CONTROL CENTRE SEWPCC UPGRADING/EXPANSION PROJECT PROCESS BIOREACTORS/BLOWER BUILDING SECTIONS C AND D	
00 ISSUED FOR TENDER - B.O. 899-2015 NO. REVISIONS		01/2016 DATE		B.C. J.C. DESIGN CHECK	
CONSULTANT NO.: 474248		CITY DRAWING NUMBER: 1-0102-PGAD-R015		SHEET REV. SIZE: 001 00 A1	