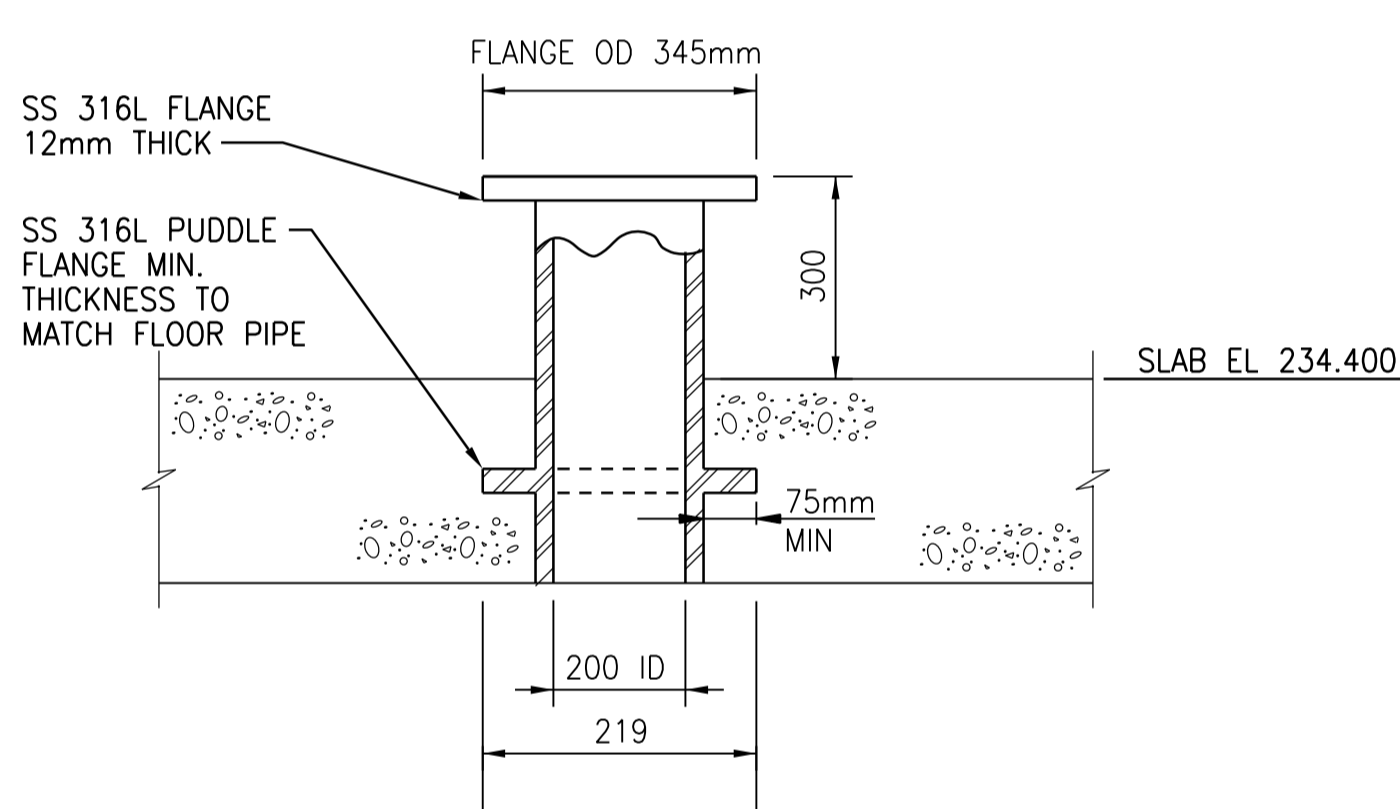
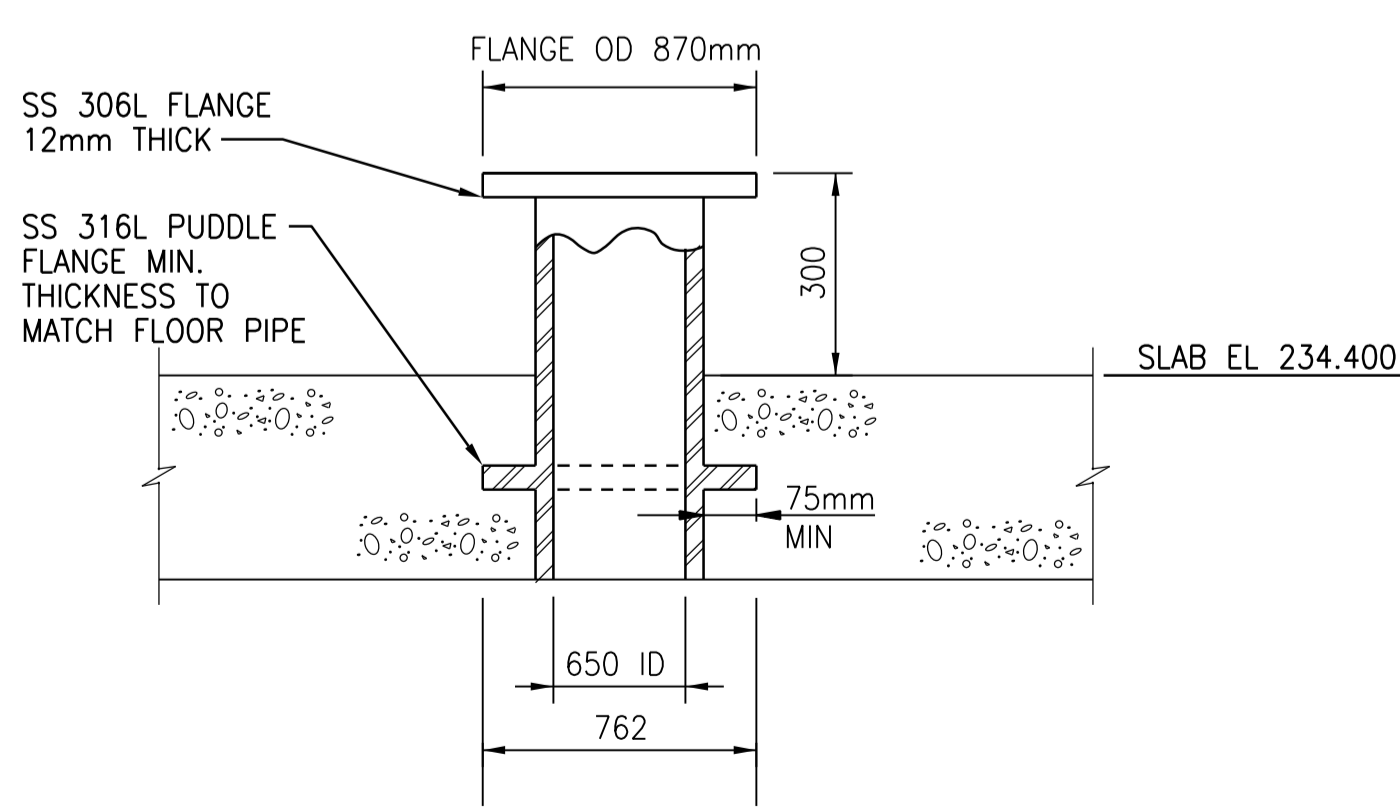


J SECTION - PART A
1:100
PGAD-R001
PGAD-R005
PGAD-R009



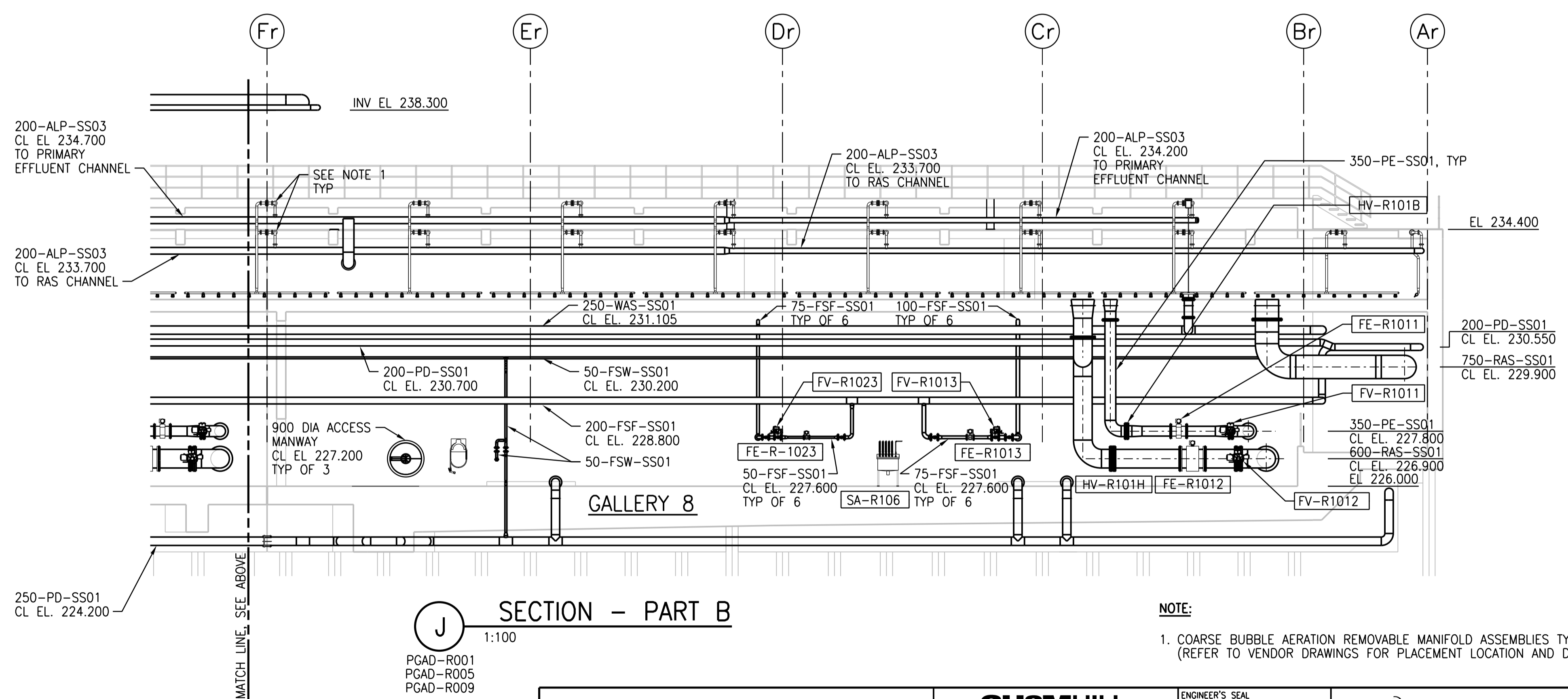
200 ID FLOOR PIPE FOR INSTRUMENT INSTALLATION (TYP OF 6)

1 NTS
PGAD-R010
PGAD-R011
PGAD-R012



650 ID FLOOR PIPE FOR INSTRUMENT INSTALLATION (TYP OF 6)

2 NTS
PGAD-R010
PGAD-R011
PGAD-R012



J SECTION - PART B
1:100
PGAD-R001
PGAD-R005
PGAD-R009

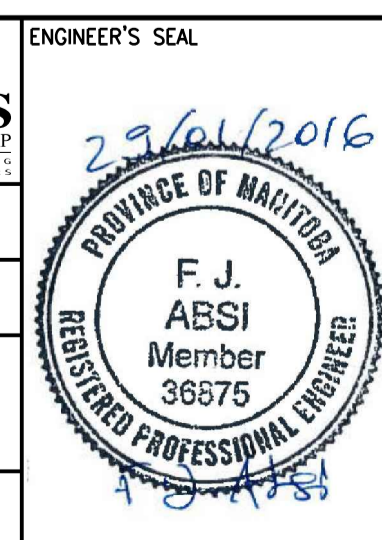
NOTE:
1. COARSE BUBBLE AERATION REMOVABLE MANIFOLD ASSEMBLIES TYPICAL (REFER TO VENDOR DRAWINGS FOR PLACEMENT LOCATION AND DETAILS).



00	ISSUED FOR TENDER - B.O. 899-2015	01/2016	B.C.	J.C.
NO.	REVISIONS	DATE	DESIGN	CHECK

CH2MHILL
SNC-LAVALIN
DESIGNED BY: F. ABSI
DRAWN BY: B. COOPER
SCALE: 1:100
DATE: 2016/01/29
CONSULTANT NO.: 474248

CHECKED BY: B. EDGAR
APPROVED BY: H.T. FREIHAMMER
ISSUED FOR CONSTRUCTION BY: T. TURZAK
DATE: 2016/01/29



THE CITY OF WINNIPEG
Winnipeg WATER AND WASTE DEPARTMENT
SOUTH END WATER POLLUTION CONTROL CENTRE
SEWPPC UPGRADING/EXPANSION PROJECT
PROCESS
BIOREACTORS/BLOWER BUILDING
SECTION J - PART A AND B

CITY DRAWING NUMBER: 1-0102-PGAD-R018
SHEET: 001
REV: 00
SIZE: A1