

SIZE	"A"	"B"	"C"	"D"	"E"	"F"
150mmx10mm	150mm	10mm	10mm	22mm	6mm	6
225mmx10mm	225mm	10mm	10mm	25mm	6mm	8

NOTES:

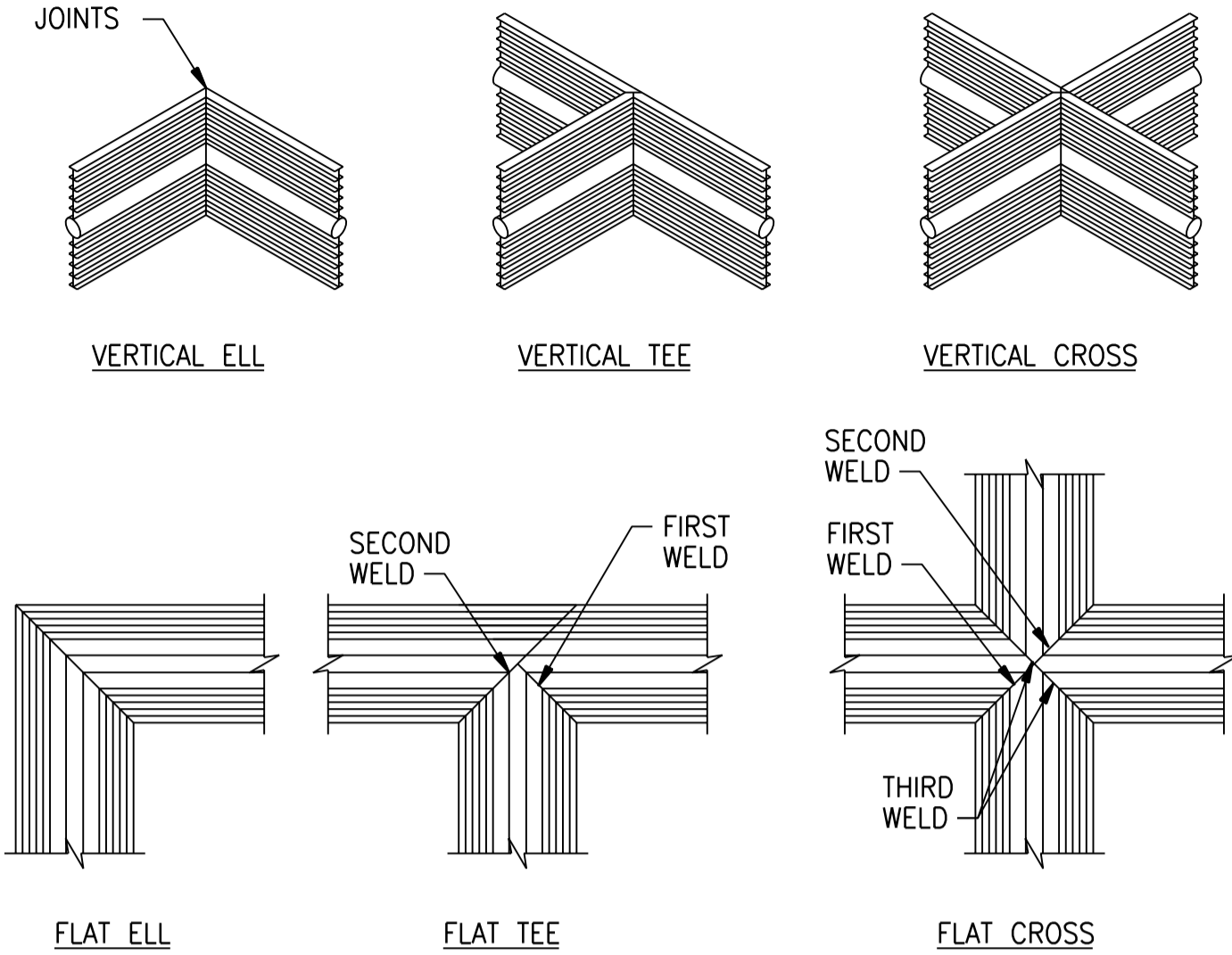
- NON-ROUND CENTER BULBS SHALL HAVE A MINIMUM OUTSIDE DIMENSION OF 'D'.
- SEE SPLICE DETAIL (0315-011)
- BULB TYPE WATERSTOP SHOWN IS REQUIRED FOR EXPANSION AND CONTROL JOINTS. SIMILAR WATERSTOPS WITHOUT CENTER BULB MAY BE SUBSTITUTED AT CONSTRUCTION JOINTS.
- USE 150mm WATERSTOPS IN ALL CONSTRUCTION JOINTS UNLESS SPECIFICALLY SHOWN OTHERWISE.

**PLASTIC WATERSTOP**

NTS

(0315-001)

MITER CORNERS OF VERTICAL JOINTS & WELD SIMILAR AS SHOWN BELOW FOR IN-PLANE JOINTS



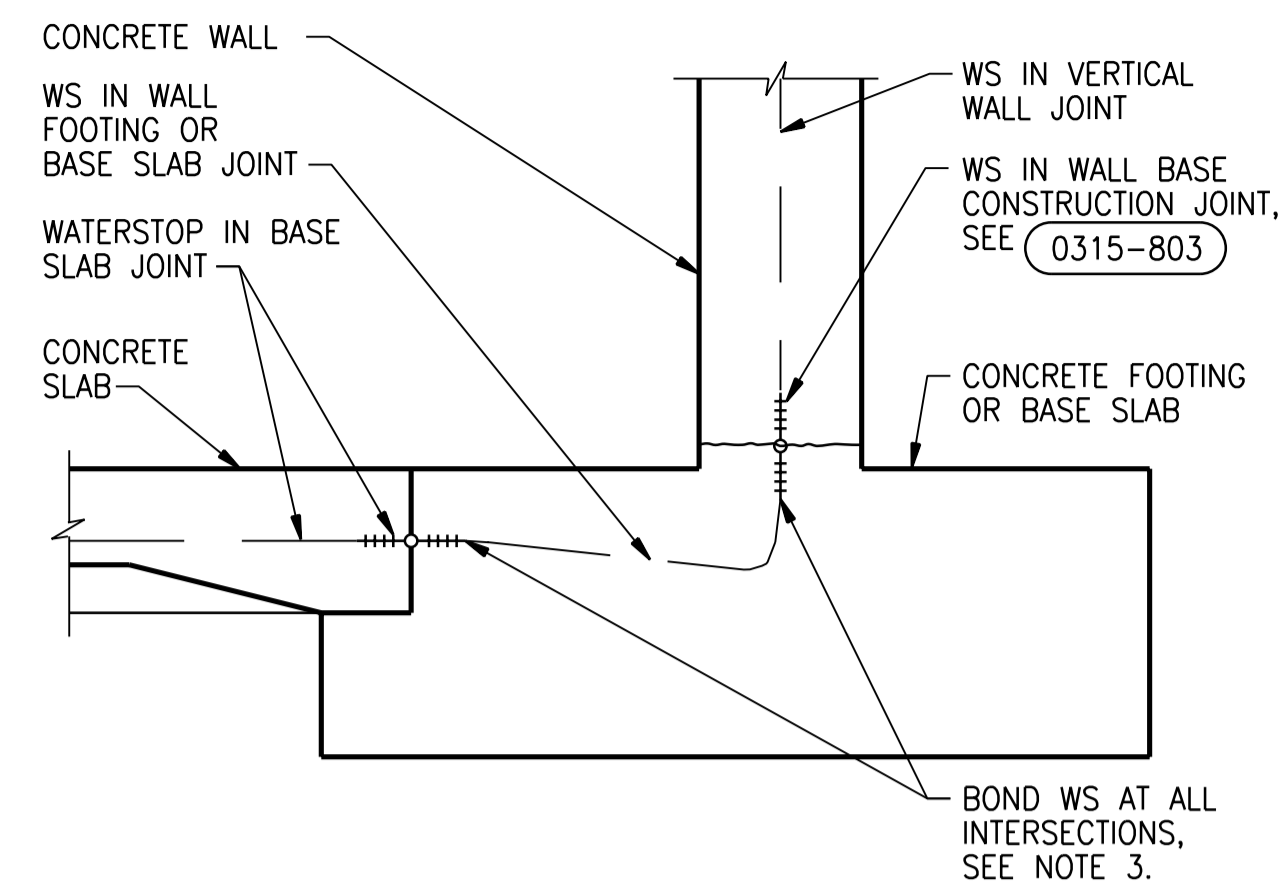
NOTE:

ALL WELDS SHALL BE PER WATERSTOP MANUFACTURER'S RECOMMENDATIONS.

**WATERSTOP JOINTS**

NTS

(0315-011)



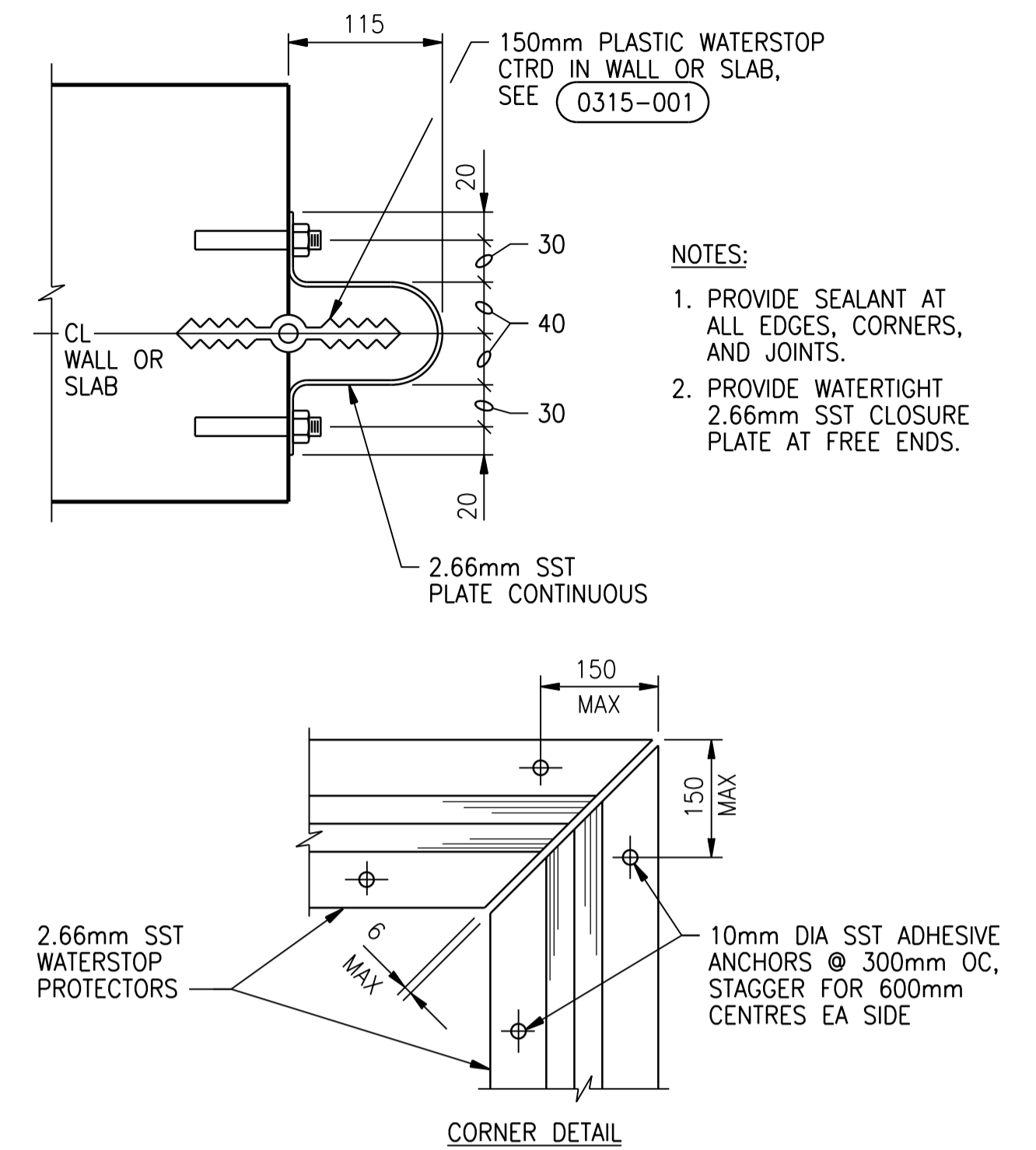
NOTES:

- SUBMIT DETAILS OF SPLICING AND LOCATION.
- BOND OR SPLICE ALL HORIZONTAL TRANSVERSE WATERSTOPS IN BASE SLAB JOINTS TO CONTINUOUS LONGITUDINAL WATERSTOP IN WALL BASE FOR COMPLETE SEAL.
- BOND OR SPLICE ALL VERTICAL WATERSTOPS IN WALL JOINTS TO LONGITUDINAL WATERSTOP IN WALL BASE FOR COMPLETE SEAL. (0315-011) FLAT CROSS JOINT.
- FOR PLASTIC WATERSTOP DETAILS, SEE (0315-001)

**WATERSTOP CONNECTION**

NTS

(0315-012)



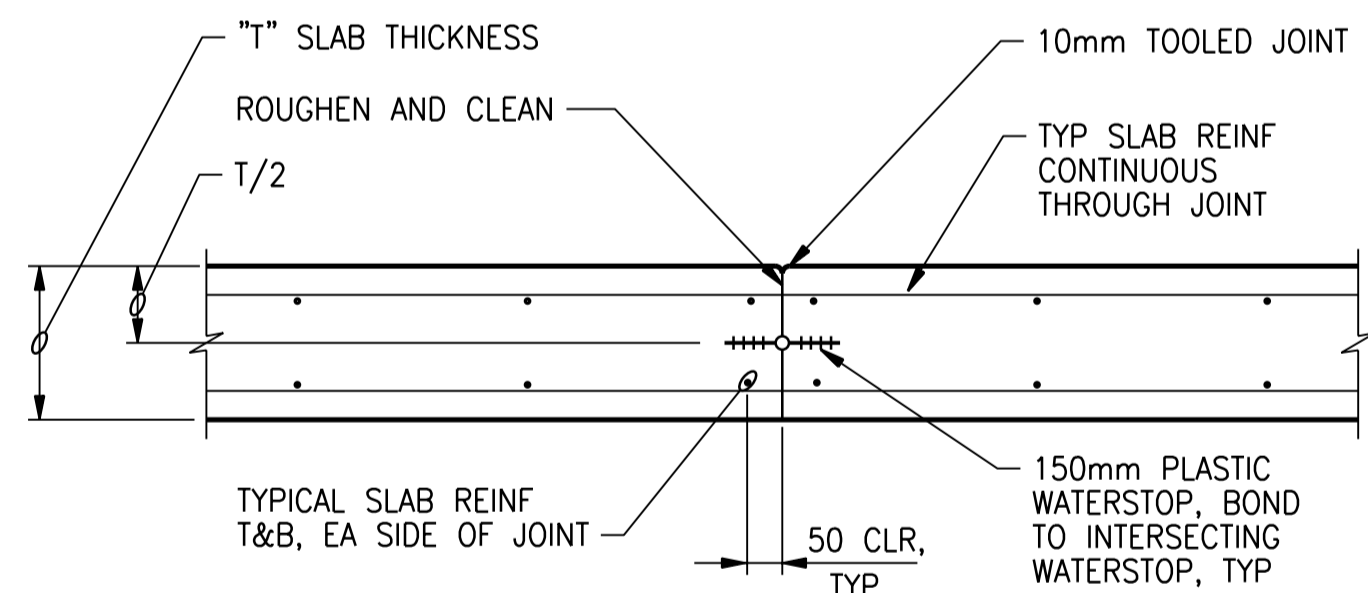
NOTES:

- PROVIDE SEALANT AT ALL EDGES, CORNERS, AND JOINTS.
- PROVIDE WATERTIGHT 2.66mm SST CLOSURE PLATE AT FREE ENDS.

**WATERSTOP PROTECTOR**

NTS

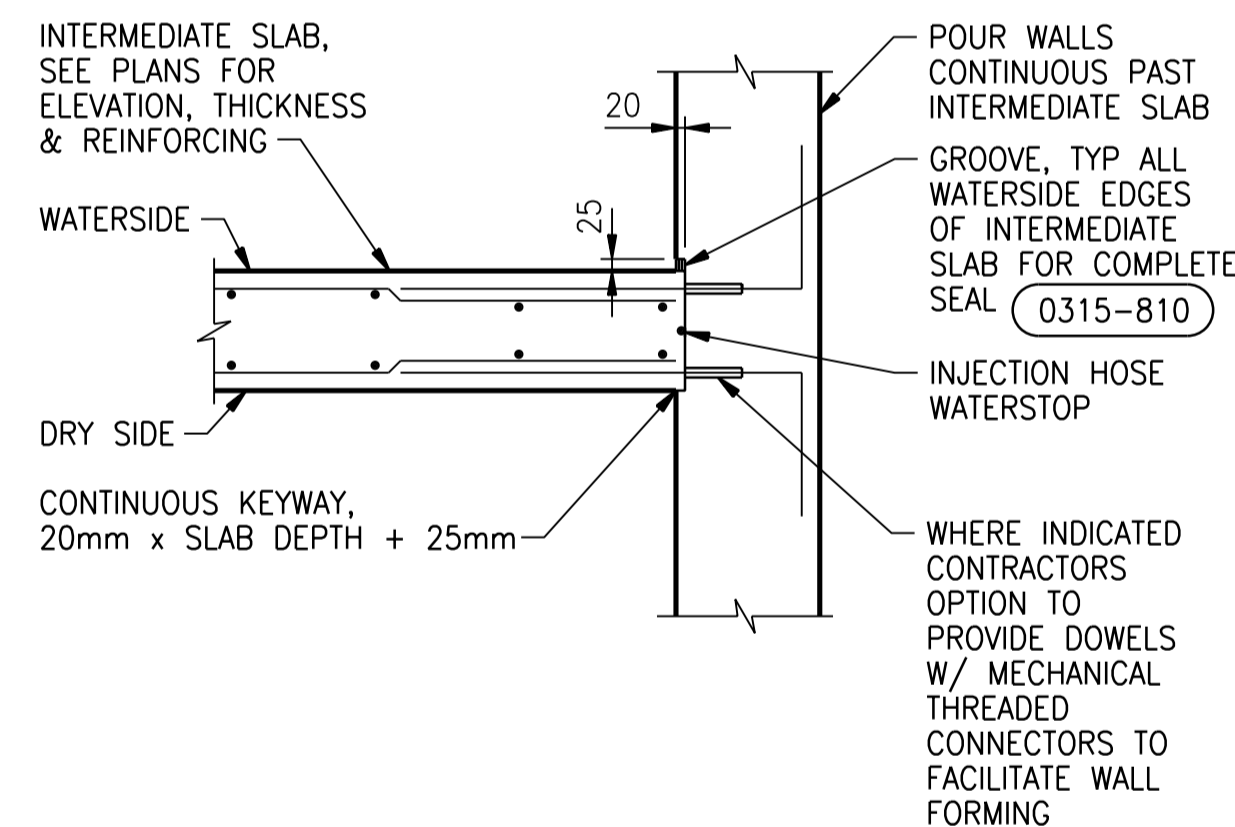
(0315-021)



**SLAB CONSTRUCTION JOINT**

NTS

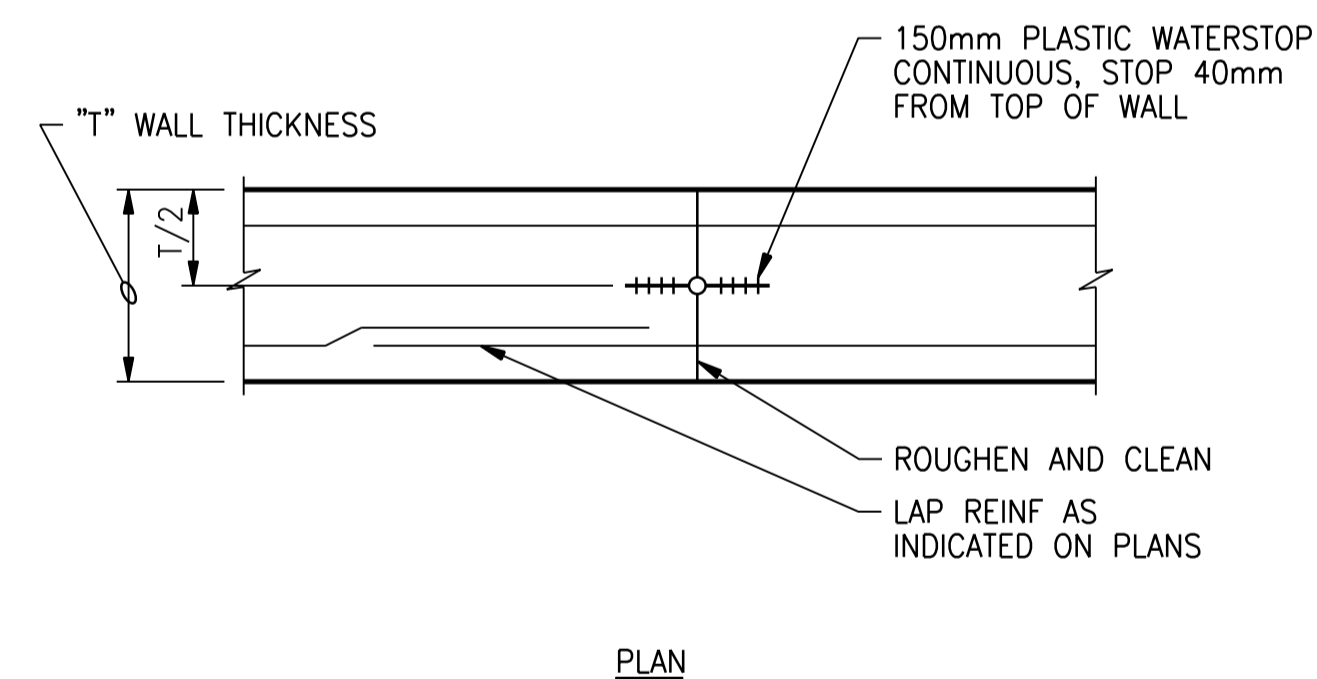
(0315-142)



**SLAB CONSTRUCTION JOINT AT WALL**

NTS

(0315-143)



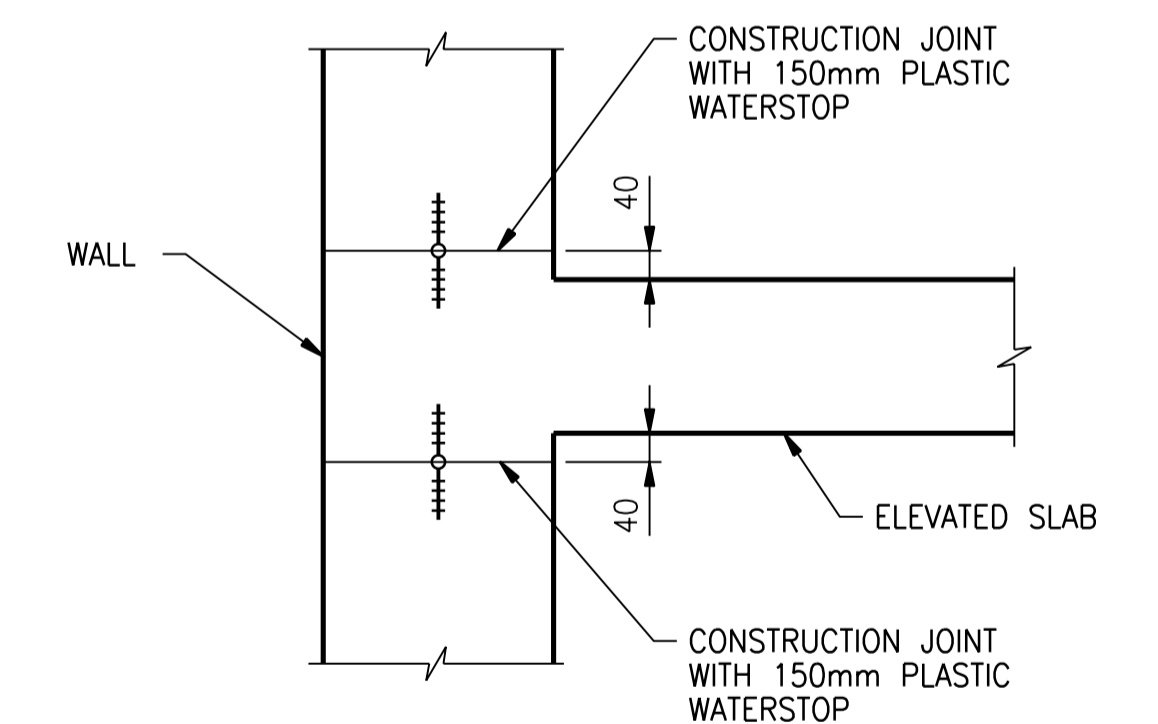
NOTES:

- ALL REINFORCING CONTINUOUS ACROSS JOINT.
- FOR LOCATIONS, SEE (0315-807)

**WALL VERTICAL CONSTRUCTION JOINT**

NTS

(0315-151)



**WALL CONSTRUCTION JOINT AT ELEVATED SLAB**

NTS

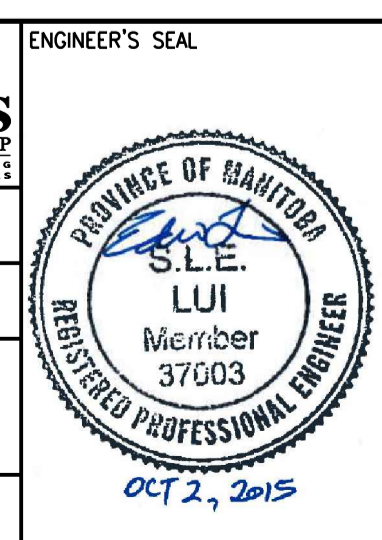
(0315-152)



NO.	REVISIONS	DATE	DESIGN	CHECK
01	ISSUED FOR CONSTRUCTION	10/2015	G.O. J.C.	
00	ISSUED FOR TENDER	08/2015	G.O. J.C.	

**CH2MHILL.**  
SNC-LAVALIN  
DESIGNED BY: E. LUI  
DRAWN BY: G. OMORI  
SCALE: NTS  
DATE: 2015/08/13  
CONSULTANT NO.: 474248

CHECKED BY: R. PARIKH  
APPROVED BY: E. LUI  
ISSUED FOR CONSTRUCTION BY: T. TURZAK  
DATE: 2015/10/02



THE CITY OF WINNIPEG  
WATER AND WASTE DEPARTMENT

SOUTH END WATER POLLUTION CONTROL CENTRE  
SEWPCU UPGRADING/EXPANSION PROJECT  
STRUCTURAL  
STANDARD DETAILS (1)

CITY DRAWING NUMBER: 1-0102-SDTL-A002  
SHEET: 01  
REV: 01  
SIZE: A1