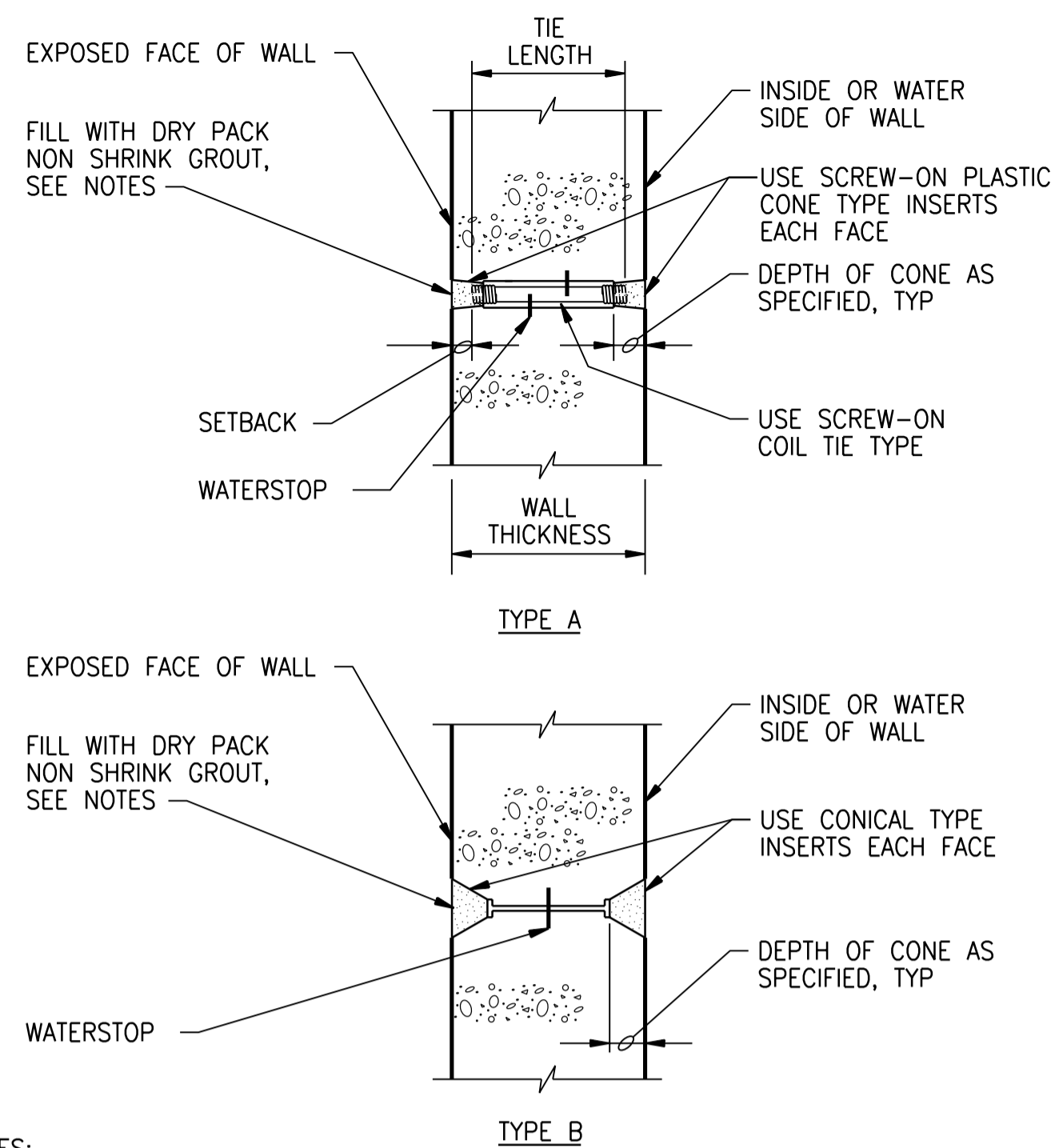


- NOTES:
1. DETAILS SHOWN ARE APPLICABLE FOR FUTURE EXPANSION AT A CONSTRUCTION JOINT.
 2. PROVIDE PROTECTIVE INSERTS FOR THREADED CONNECTORS.

WALL OR SLAB FUTURE CONSTRUCTION

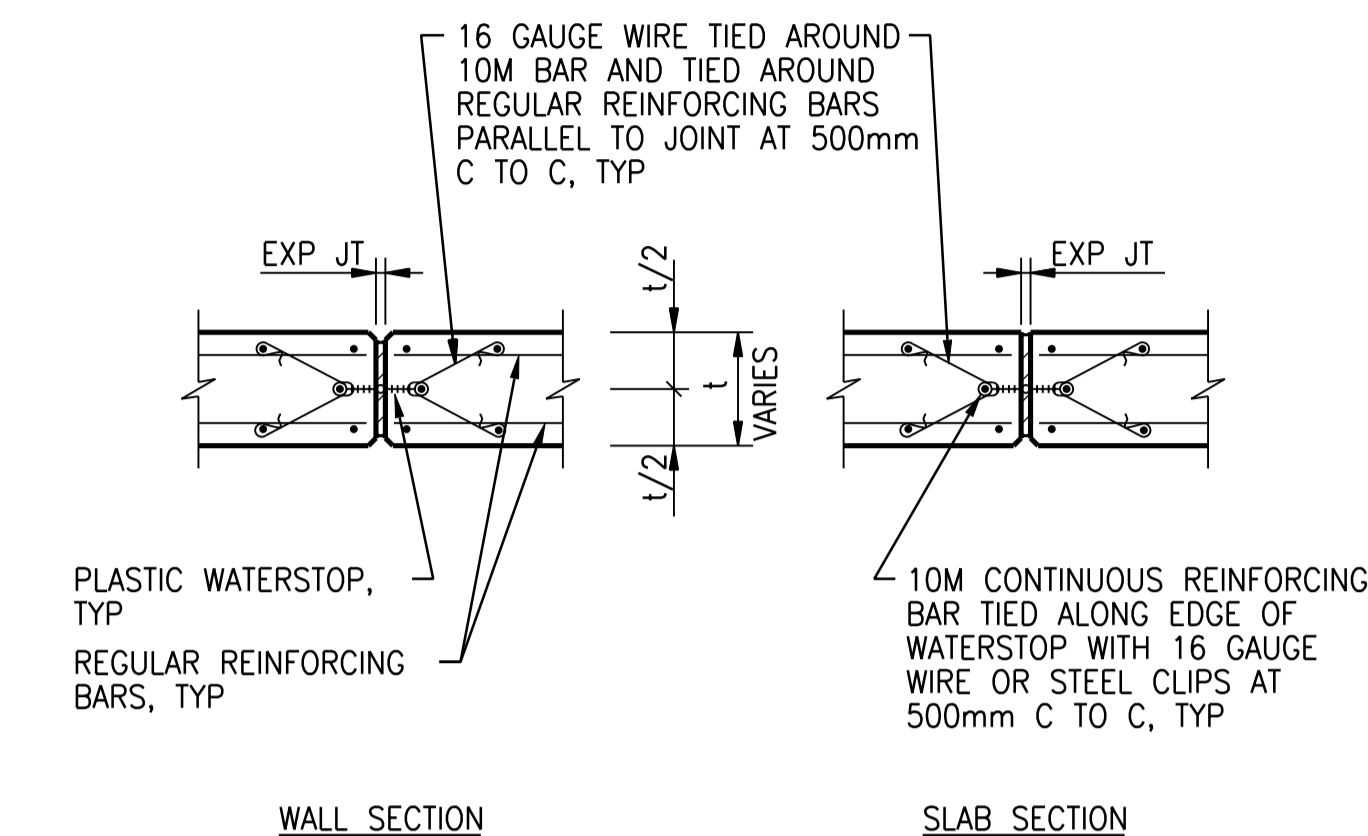
NTS 0315-253



- NOTES:
1. THE SPACING OF FORM TIES ON EXPOSED PORTIONS OF WALLS SHALL BE APPROXIMATELY EQUAL HORIZONTALLY AND VERTICALLY AND SHALL BE UNIFORM IN EACH DIRECTION.
 2. DRY PACK METHOD SHALL BE AS SPECIFIED USING STEEL TOOLS.

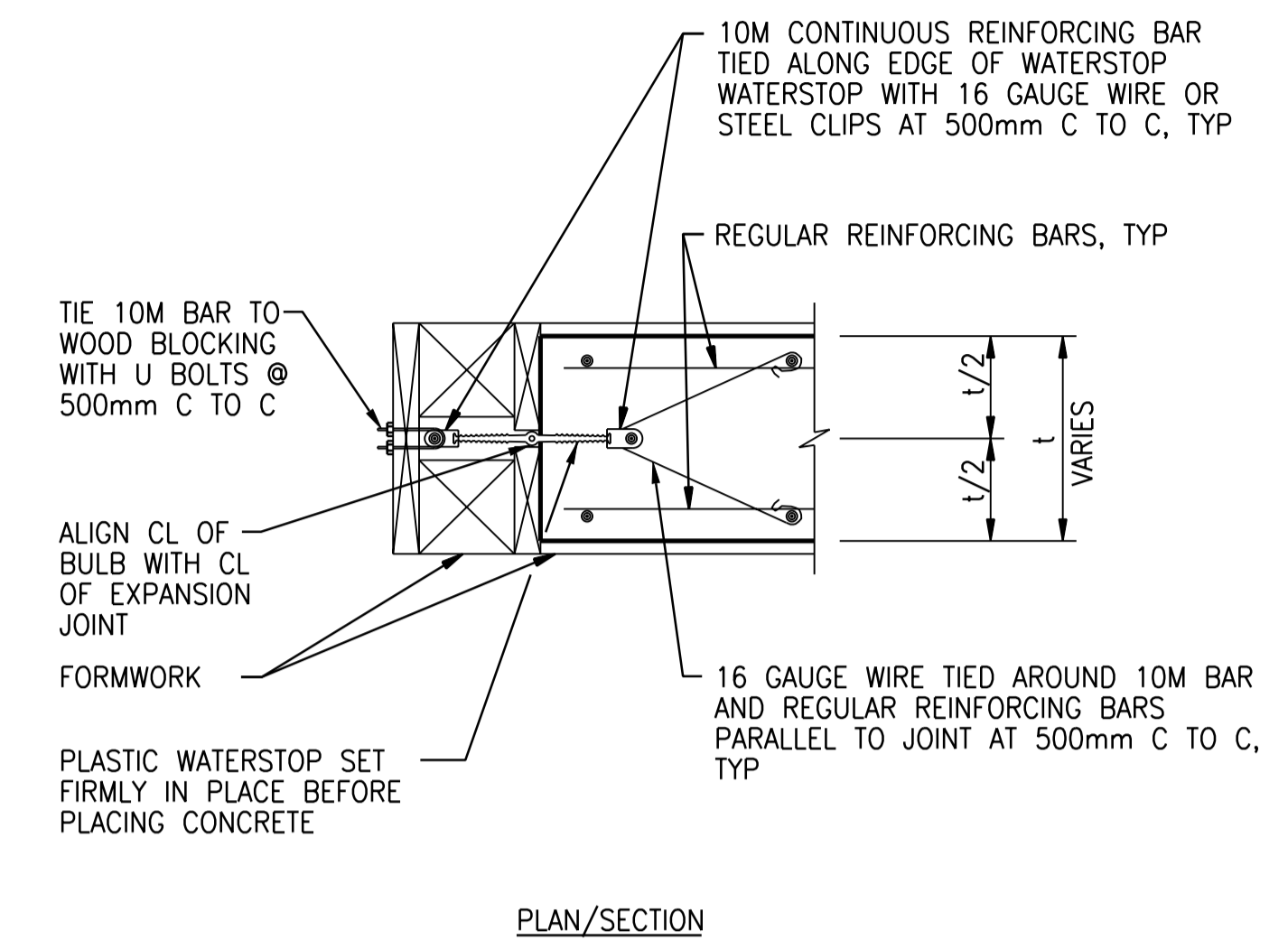
FORM TIE HOLE

NTS 0310-801



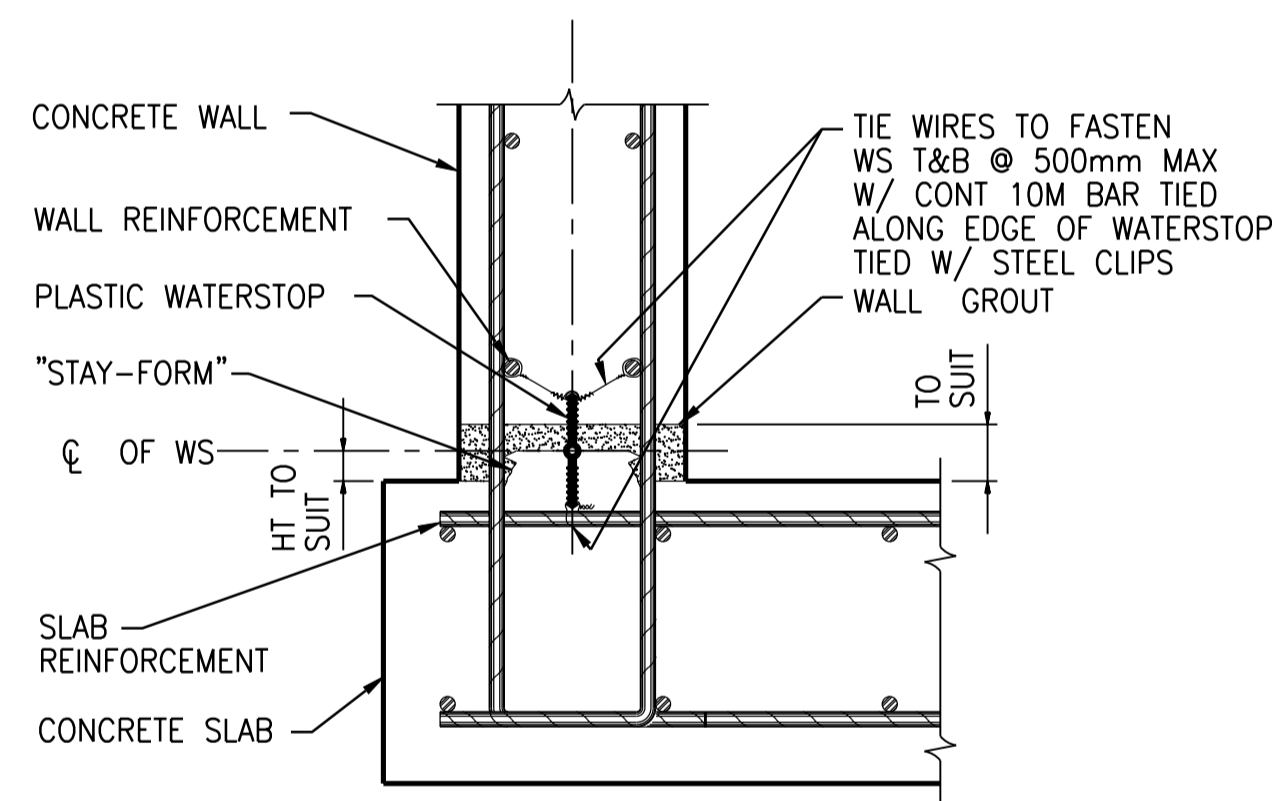
WATERSTOP ANCHORAGE

NTS 0315-801



WATERSTOP ANCHORAGE FOR FIRST PLACEMENT

NTS 0315-802



- NOTES:
1. STARTER WALL REQUIRED FOR ALL CONSTRUCTION JOINTS WITH WATERSTOPS, UNLESS SPECIFICALLY NOTED OTHERWISE.
 2. FOR WALLS WITH SINGLE MAT OF REINFORCING, LOCATE WATERSTOP ON LIQUID FACE, 25mm CLEAR OF REINFORCING.
 3. SECURE WATERSTOP IN-PLACE AS SPECIFIED.
 4. PROVIDE DEDICATED VIBRATOR TO CONSOLIDATE CONCRETE ON EITHER SIDE OF WATERSTOP.

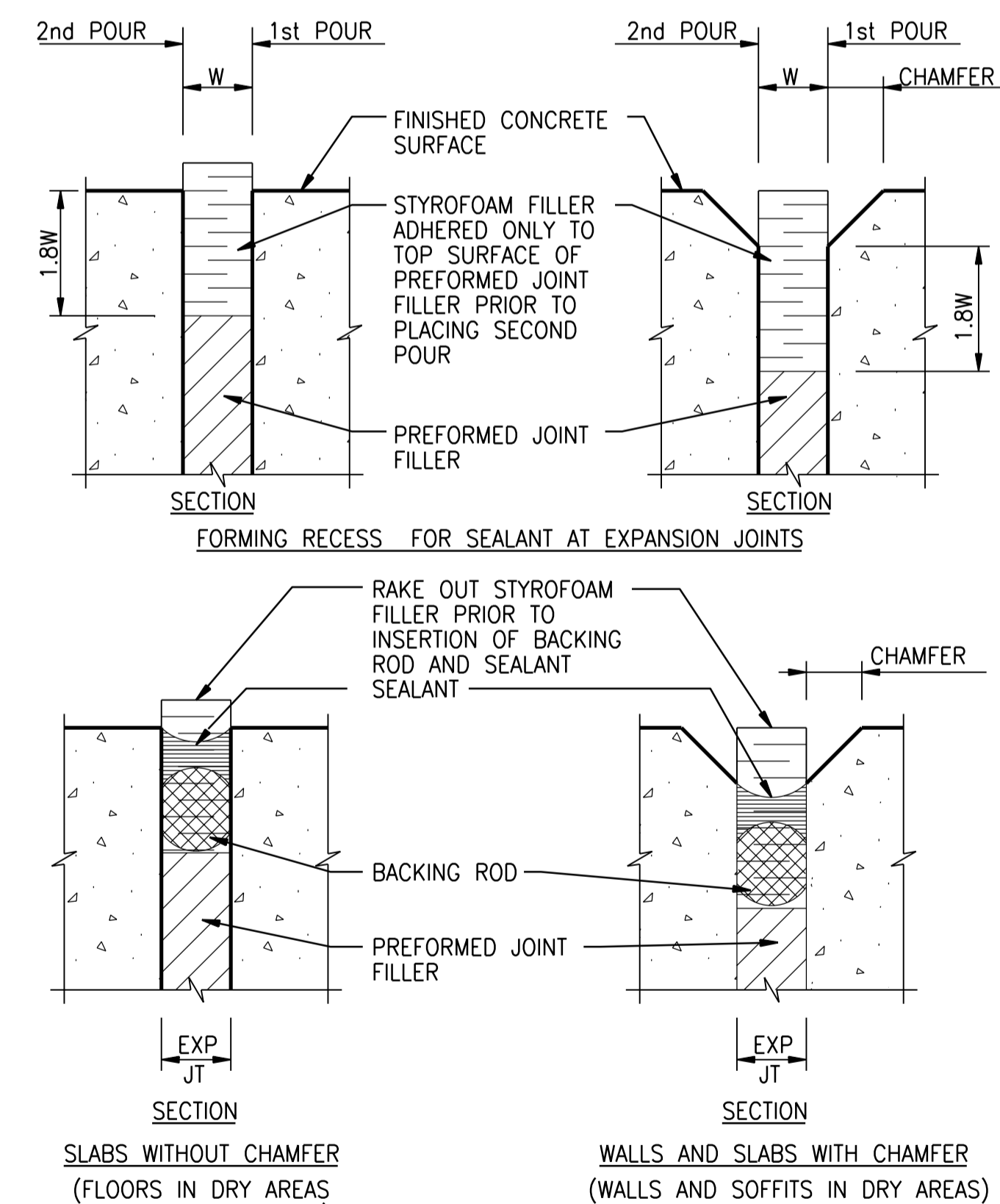
WALL BASE CONSTRUCTION JOINT

NTS 0315-803

- NOTES:
1. PROVIDE EXPANSION JOINTS WITH WATERSTOP FOR WALLS AND SLABS OF LIQUID RETAINING STRUCTURES, EXTERNAL WALLS AND SLABS IN CONTACT WITH SOIL.
 2. PREFORMED JOINT FILLER (EXCEPT WHERE OTHERWISE INDICATED) TO BE:
 - A) SELF EXPANDING CORK FOR EXPANSION JOINTS IN TANKS, CONDUITS, AND SUBSTRUCTURES.
 - B) FOAMED PVC JOINT FILLER PR GRADE FOR EXPANSION JOINTS WITHOUT WATERSTOP IN DRY AREAS.
 3. CLEAN OFF COATINGS AND DEBRIS FROM FACE OF CONCRETE AND ADHERE SELF-EXPANDING CORK TO FACE OF CONCRETE IMMEDIATELY PRIOR TO SUBSEQUENT CONCRETE PLACEMENT. KEEP CORK DRY BEFORE FINAL PLACEMENT.
 4. WATERSTOP TO BE 230mm WIDE UNLESS OTHERWISE INDICATED.
 5. FOR ANCHORAGE OF WATERSTOP SEE SEPARATE DETAILS.
 6. FOR SEALANT SEE 0315-806.

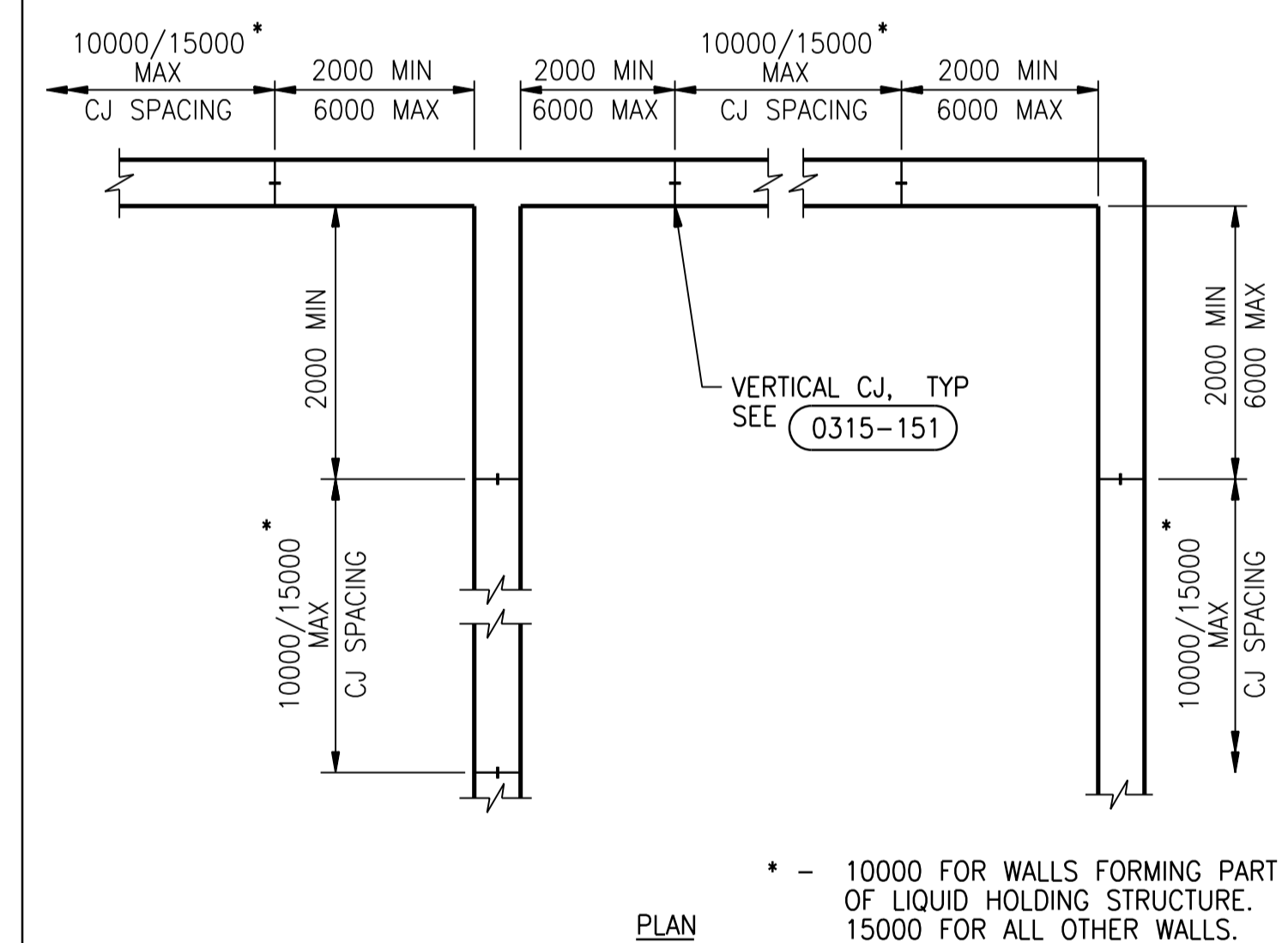
EXPANSION JOINT NOTES

NTS 0315-804



EXPANSION JOINT SEALANT

NTS 0315-806



- NOTES:
1. COORDINATE CONSTRUCTION JOINT LOCATIONS AND TIME BETWEEN CONCRETE POURS WITH SPECIFICATION.
 2. LOCATE WALL CONSTRUCTION JOINTS AS SHOWN, UNLESS INDICATED OTHERWISE.

WALL CONSTRUCTION JOINT SPACING

NTS 0315-807



DESIGNED BY:	E. LUI	CHECKED BY:	R. PARIKH
DRAWN BY:	G. OMORI	APPROVED BY:	E. LUI
SCALE:	NTS	ISSUED FOR CONSTRUCTION BY:	T. TURZAK
DATE:	2015/08/13	DATE:	2015/10/02
CONSULTANT NO.:	474248		
NO.	REVISIONS	DATE	DESIGN CHECK
01	ISSUED FOR CONSTRUCTION	10/2015	G.O. J.C.
00	ISSUED FOR TENDER	08/2015	G.O. J.C.

CH2MHILL.

SNC-LAVALIN

KCS GROUP CONSULTANTS

ENGINEER'S SEAL

PROVINCE OF MANITOBA S.L.E. Member 37003 REGISTERED PROFESSIONAL ENGINEER OCT 2, 2015

THE CITY OF WINNIPEG WATER AND WASTE DEPARTMENT

SOUTH END WATER POLLUTION CONTROL CENTRE SEWPCC UPGRADING/EXPANSION PROJECT STRUCTURAL STANDARD DETAILS (2)

CITY DRAWING NUMBER 1-0102-SDTL-A003 SHEET 01 REV. 01 SIZE A1