

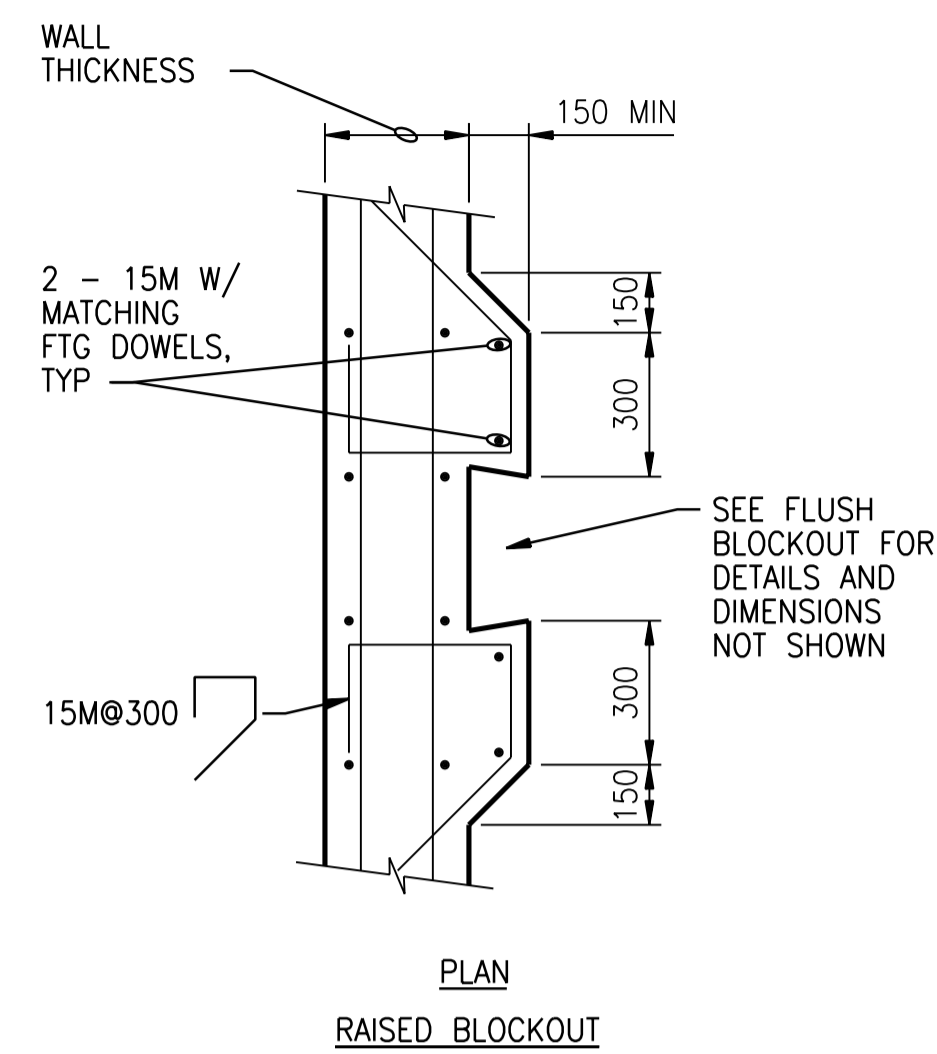
NOTES:

1. FLUSH BLOCKOUT TYPICAL UNLESS OTHERWISE NOTED OR SHOWN ON PLANS.
2. REINFORCEMENT DETAILS ARE FOR BLOCKOUT AT STRAIGHT RUN WALL. MODIFY TO FIT CONDITIONS OF WALL SHOWN ON PLANS.
3. WALL BLOCKOUT SHOWN. BLOCKOUT CONTINUES THROUGH CHANNEL BASE SLAB. REINFORCE BASE SLAB SIMILARLY.

BLOCKOUT FOR STOP LOG OR GATE GUIDE

NTS

0330-076A



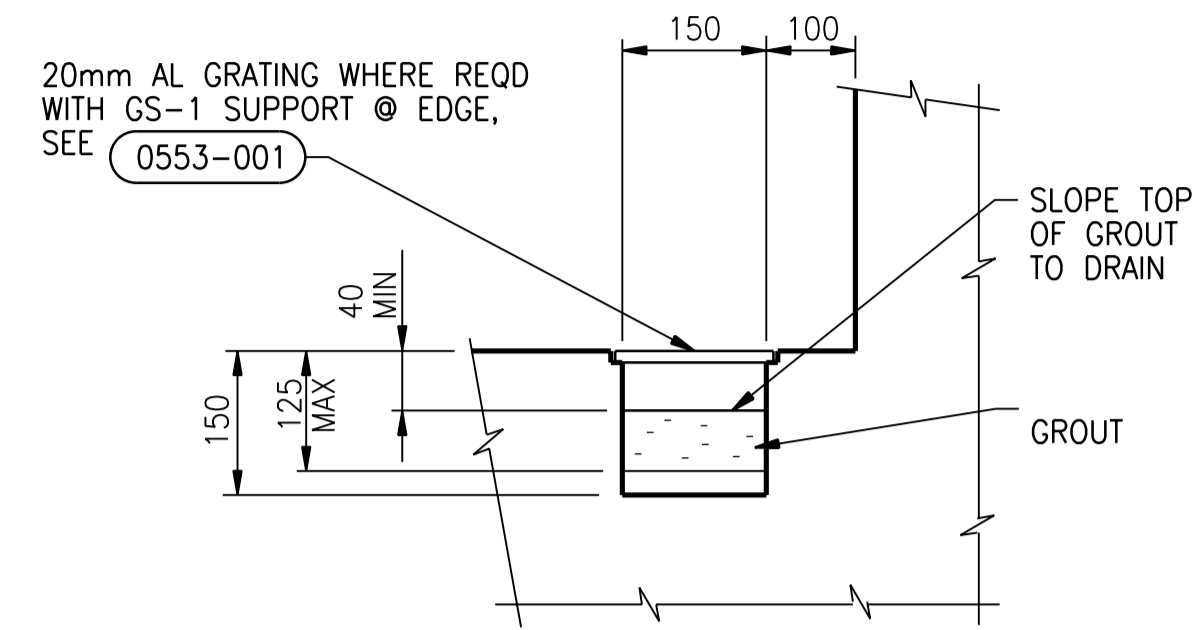
NOTE:

1. STOP PIERS AT UNDERSIDE OF GRATING

STOP LOG/GATE GUIDE

NTS

0330-076B



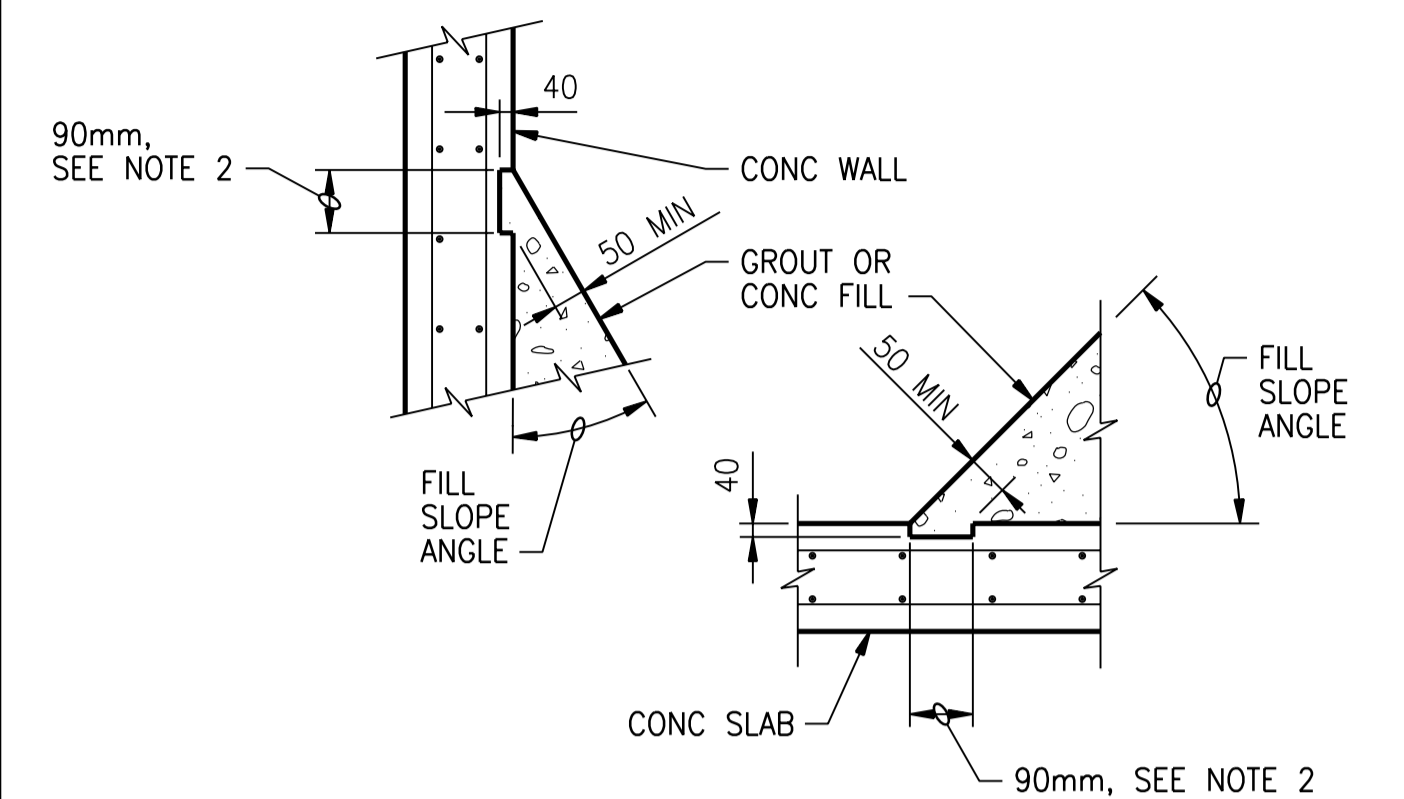
NOTES:

1. PROVIDE GRATING WHERE CUTTER CROSSES WALKWAY OR WORKING AREAS.
2. WHERE TRENCH IS ADJACENT TO WALL DO NOT PROVIDE GRATING UNLESS SPECIFICALLY SHOWN.

FORMED CONCRETE TRENCH

NTS

0330-077



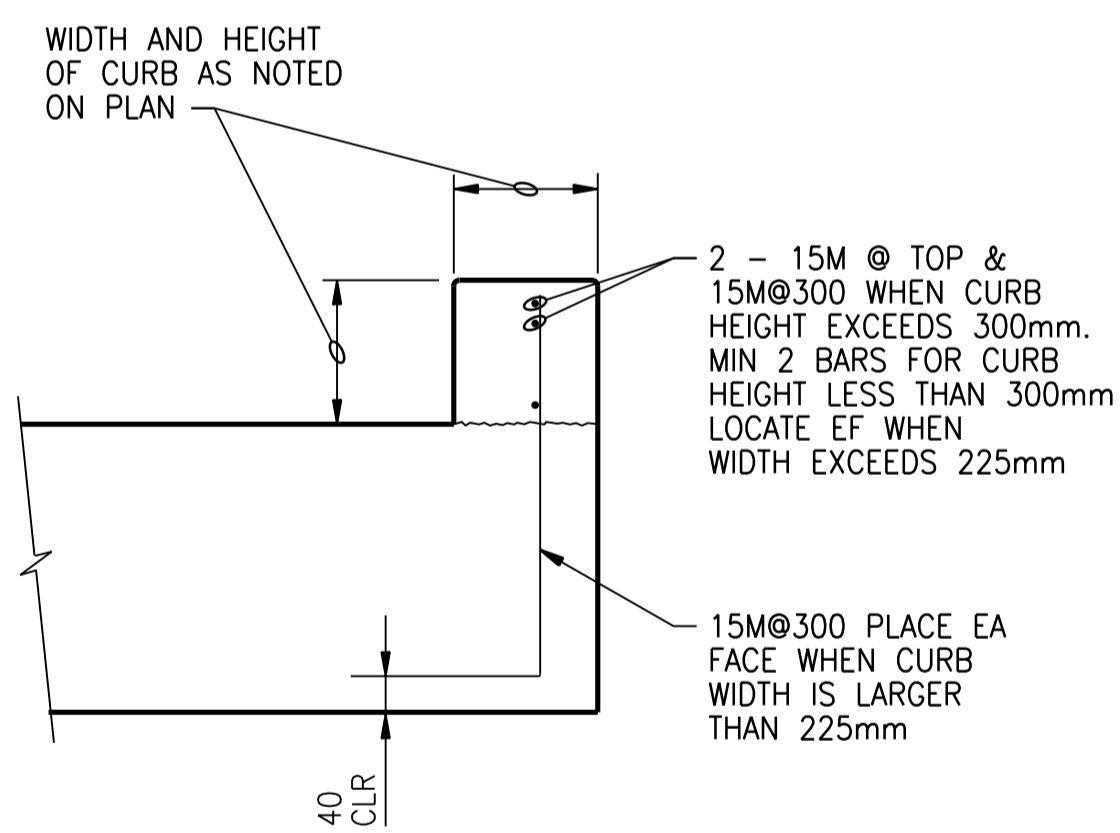
NOTES:

1. PROVIDE KEY FOR ALL FILL WHERE FILL SLOPE ANGLE TO WALL OR SLAB IS LESS THAN 45 DEGREES.
2. LENGTHEN 90mm BLOCKOUT AS REQUIRED TO MAINTAIN 50mm MINIMUM THICKNESS OF GROUT OR CONCRETE FILL.

CONCRETE OR GROUT FILL KEY

NTS

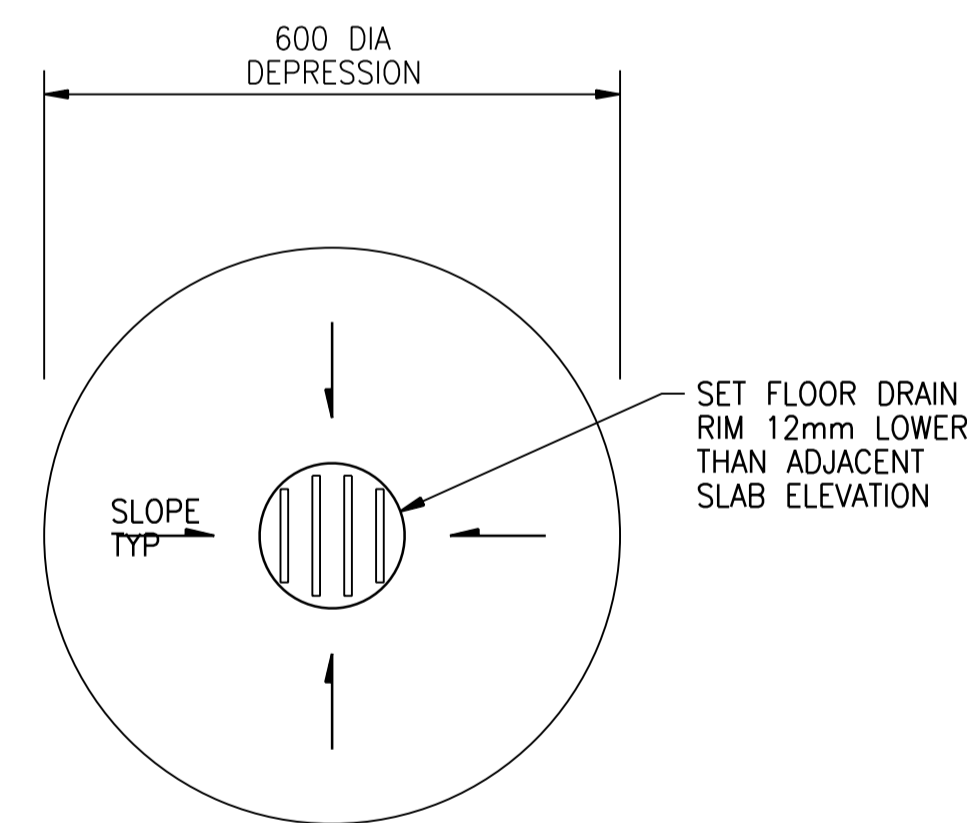
0330-078



CONCRETE CURB

NTS

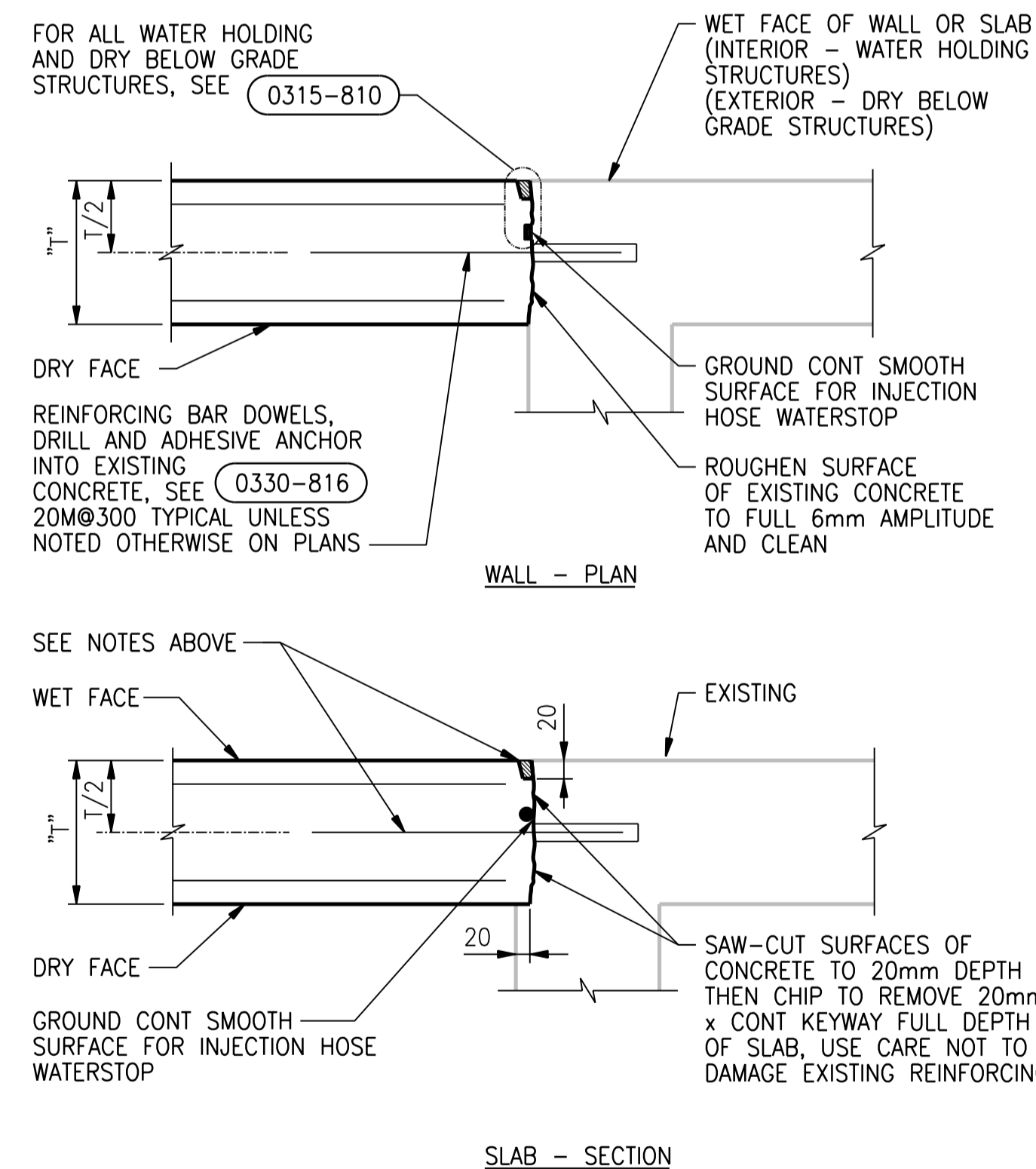
0330-080



FLOOR DRAIN

NTS

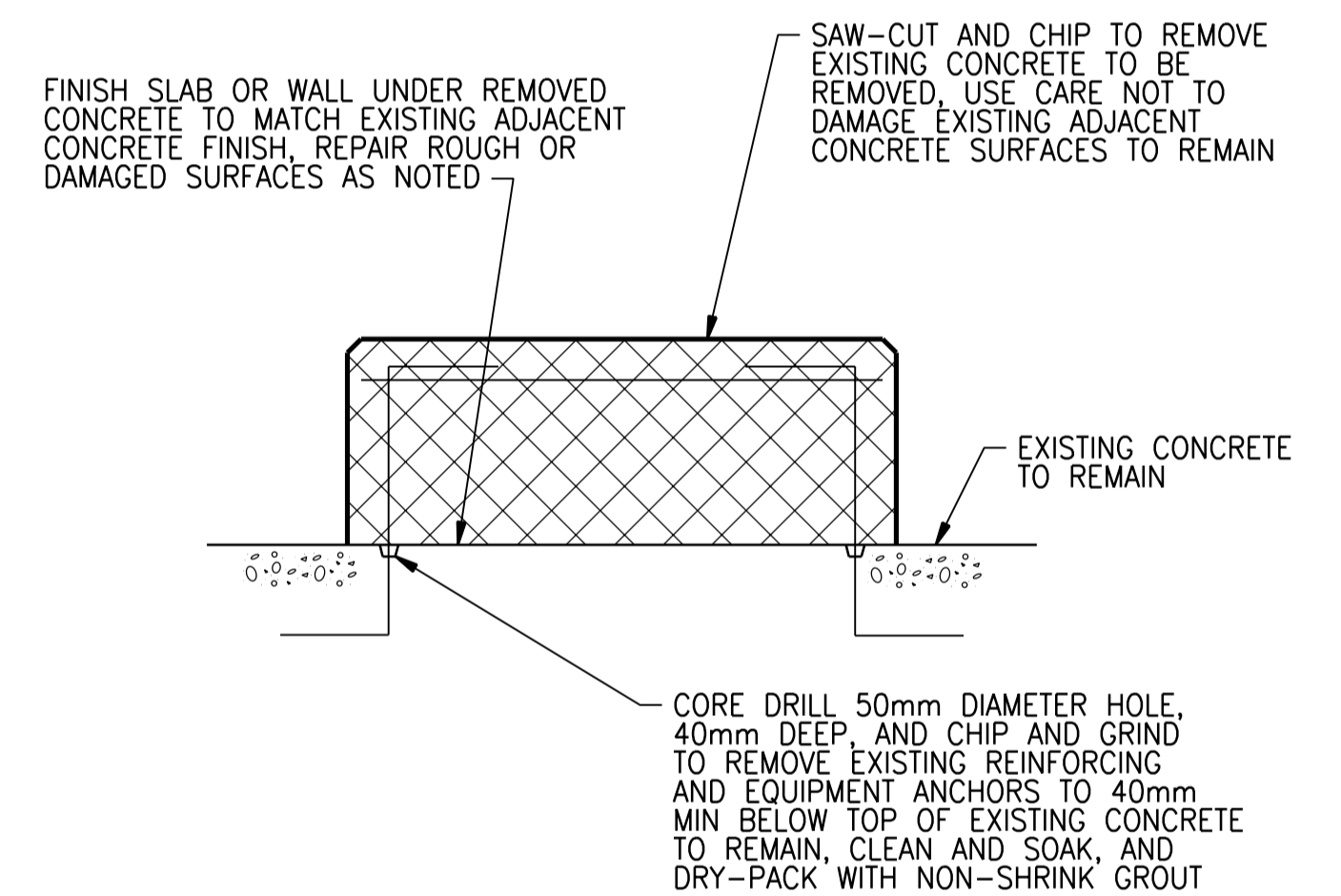
0330-082



CONNECTION OF NEW CONCRETE TO EXISTING

NTS

0330-101



NOTES:

1. REMOVE CONCRETE OUT TO SOUND CONCRETE.
2. IF CHIPPING INTO THE SURFACE OF THE EXISTING SLAB OR WALL TO REMAIN IS REQUIRED, MAKE EDGES PERPENDICULAR TO THE SURFACE. DO NOT FEATHER EDGES.
3. FILL DEFECTIVE AREA WITH NON-SHRINK GROUT OR AN APPROVED PREPACKAGED PATCHING MATERIAL TO MATCH APPEARANCE OF ADJACENT CONCRETE SURFACES.
4. USE APPROVED BONDING AGENT ON SURFACES TO BE PATCHED PRIOR TO PLACING NON-SHRINK GROUT.
5. DEMONSTRATE METHODS FOR REPAIR USING ACTUAL MATERIALS, METHODS, AND CURING PROCEDURES REQUIRED BY MATERIAL MANUFACTURERS. CONSULT WITH BONDING AGENT MANUFACTURER AND NON-SHRINK GROUT MANUFACTURER ON TECHNIQUES.

CONCRETE DEMOLITION

NTS

0330-143



NO.	REVISIONS	DATE	DESIGN	CHECK
01	ISSUED FOR CONSTRUCTION	10/2015	G.O.	J.C.
00	ISSUED FOR TENDER	08/2015	G.O.	J.C.

CH2MHILL.

SNC-LAVALIN

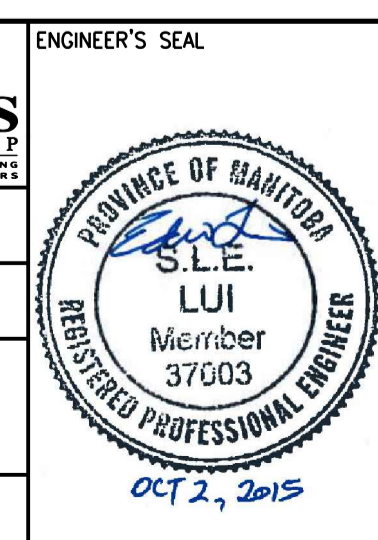
DESIGNED BY: E. LUI
CHECKED BY: R. PARIKH

DRAWN BY: G. OMORI
APPROVED BY: E. LUI

SCALE: NTS
ISSUED FOR CONSTRUCTION BY: T. TURZAK

DATE: 2015/08/13
DATE: 2015/10/02

CONSULTANT NO.: 474248



THE CITY OF WINNIPEG
Winnipeg WATER AND WASTE DEPARTMENT

SOUTH END WATER POLLUTION CONTROL CENTRE
SEWPCC UPGRADING/EXPANSION PROJECT
STRUCTURAL
STANDARD DETAILS (5)

CITY DRAWING NUMBER: 1-0102-SDTL-A006
SHEET: 01
REV: 01
SIZE: A1