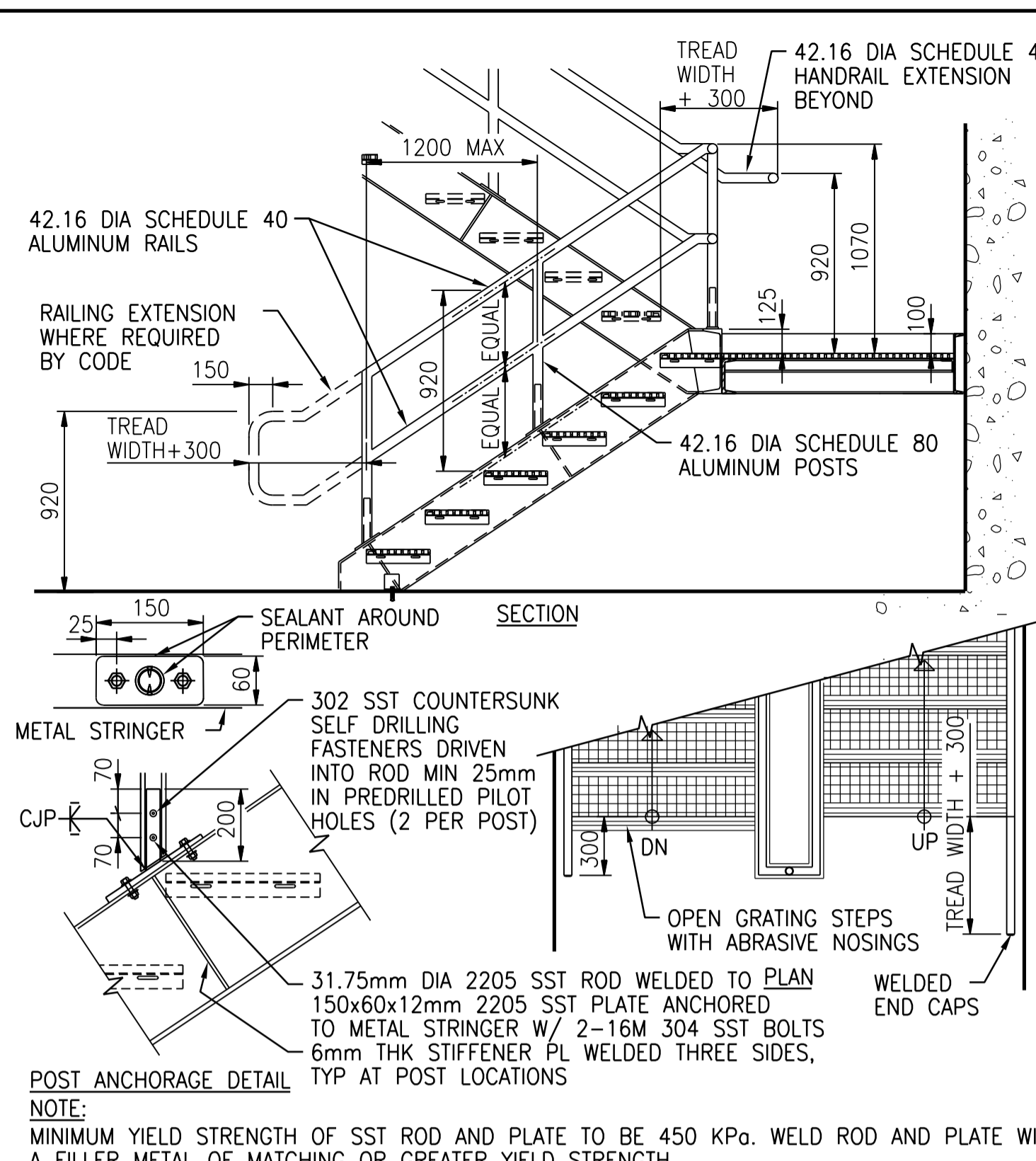
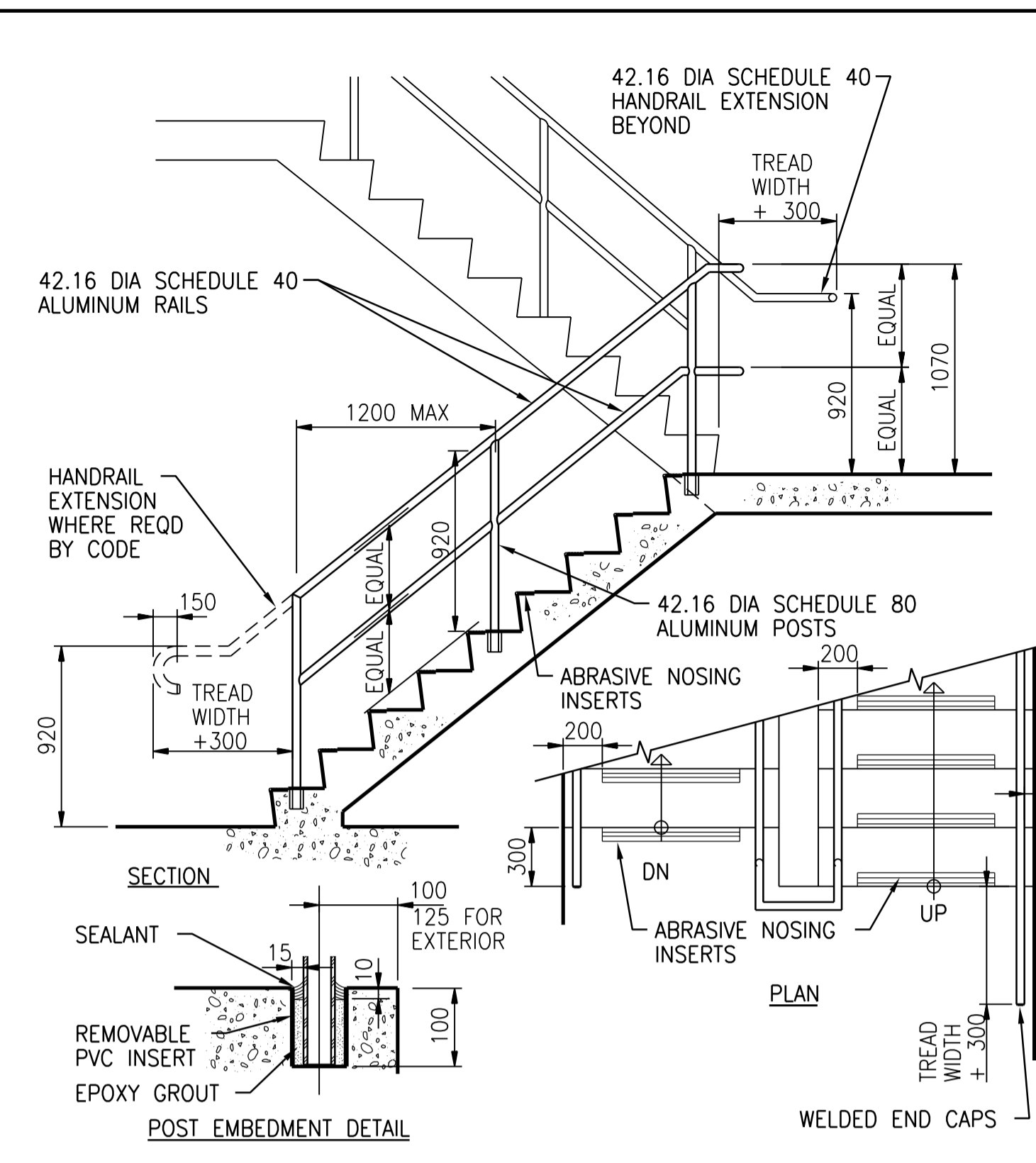


A1 SIZE - 594mm x 841mm



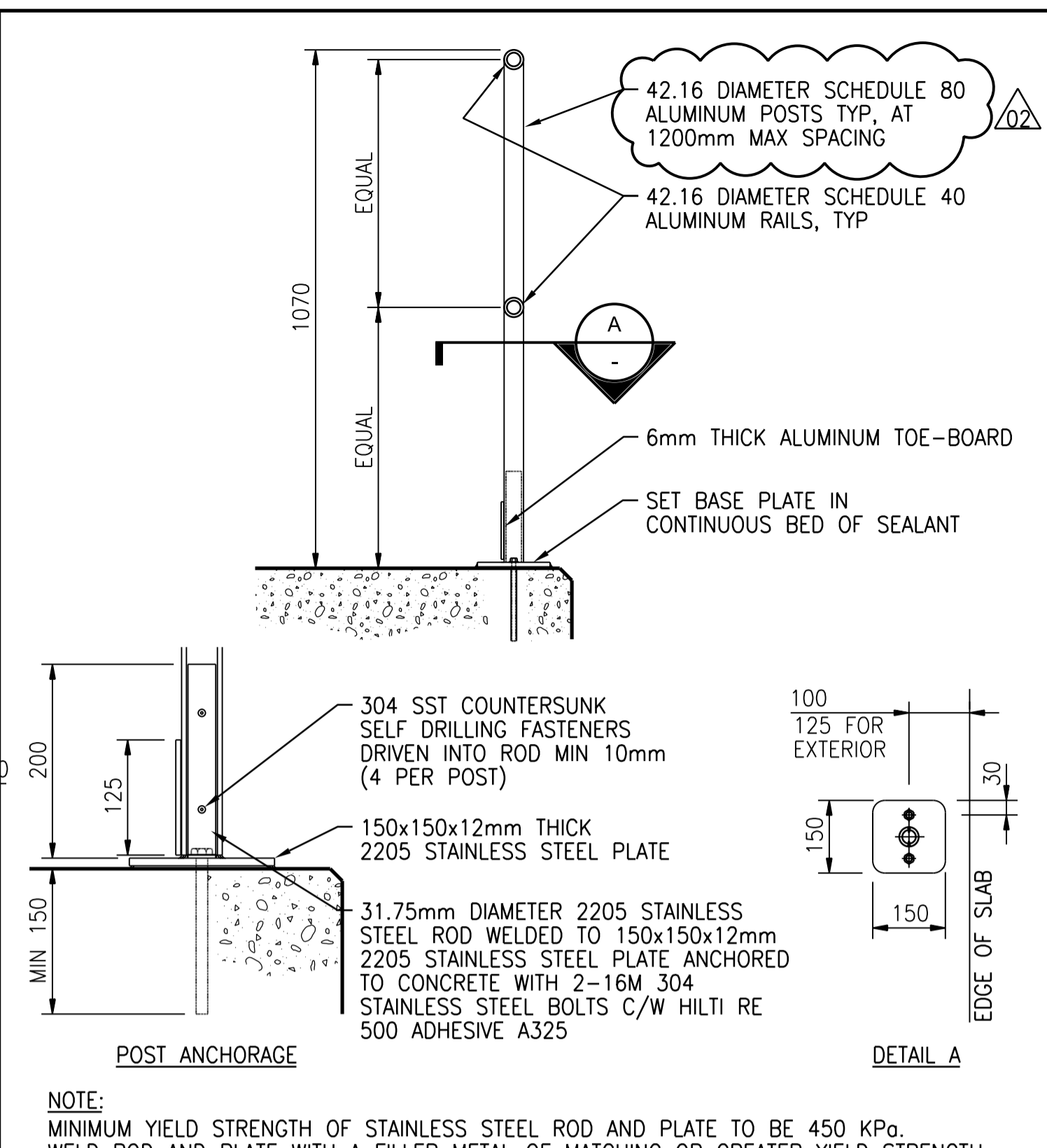
POST ANCHORAGE -
OPEN GRATING METAL STAIR WITH TUBE RAILING

NTS (0552-804)



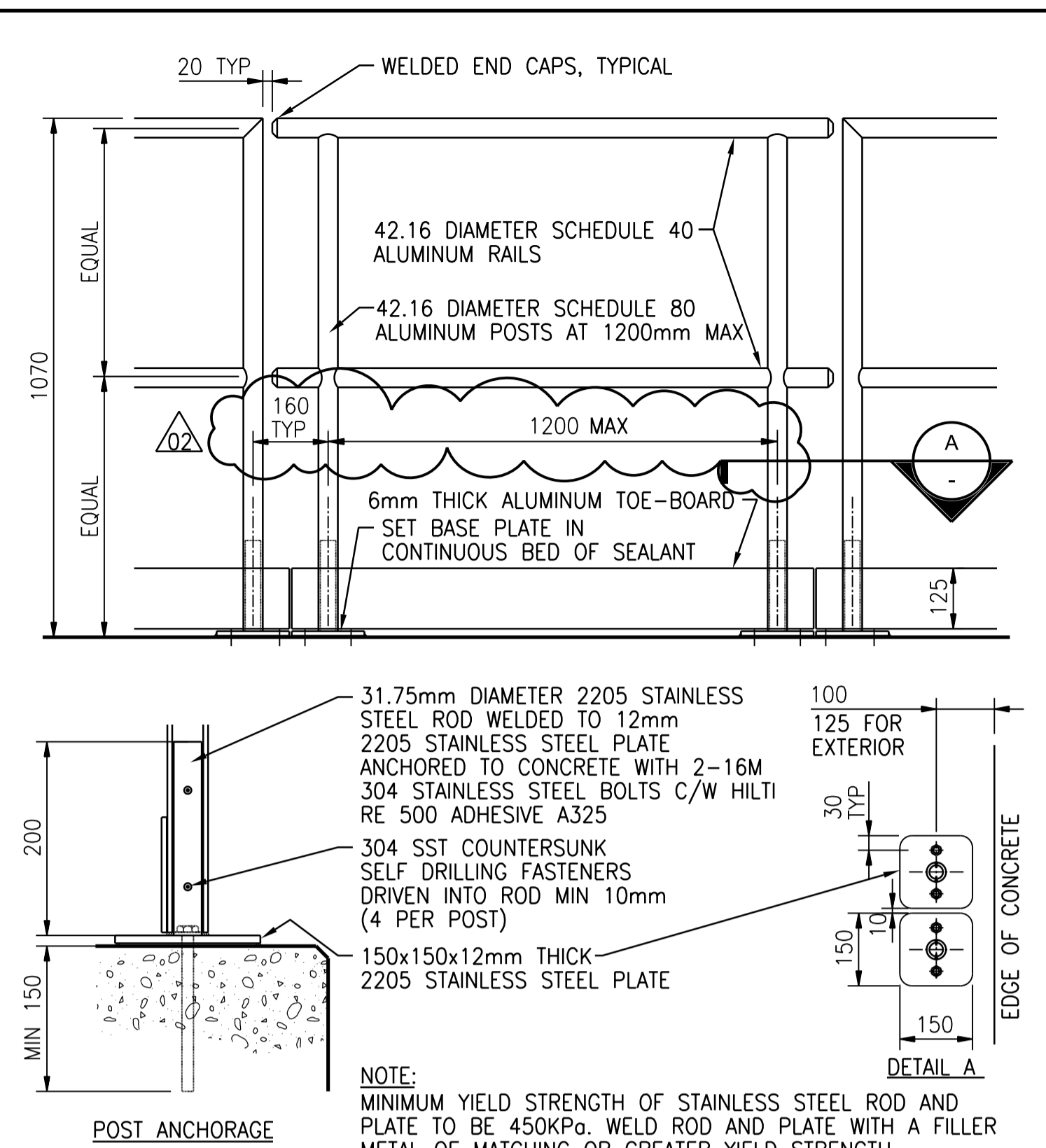
POST EMBEDMENT -
PIPE RAILING ON CONCRETE STAIRS (1000 AND WIDER)

NTS (0552-806)



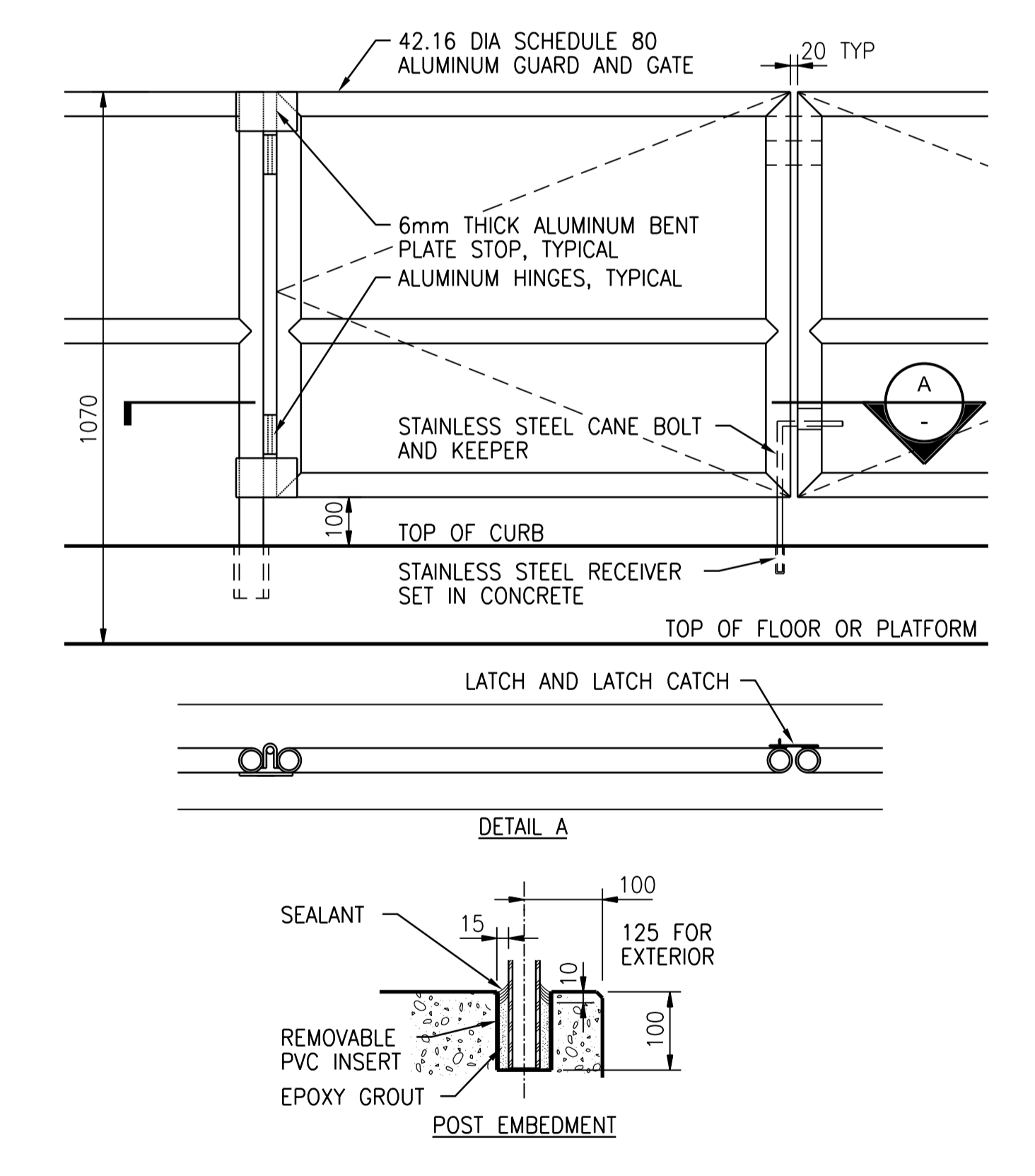
POST ANCHORAGE -
SURFACE MOUNTED GUARD

NTS (0552-810)



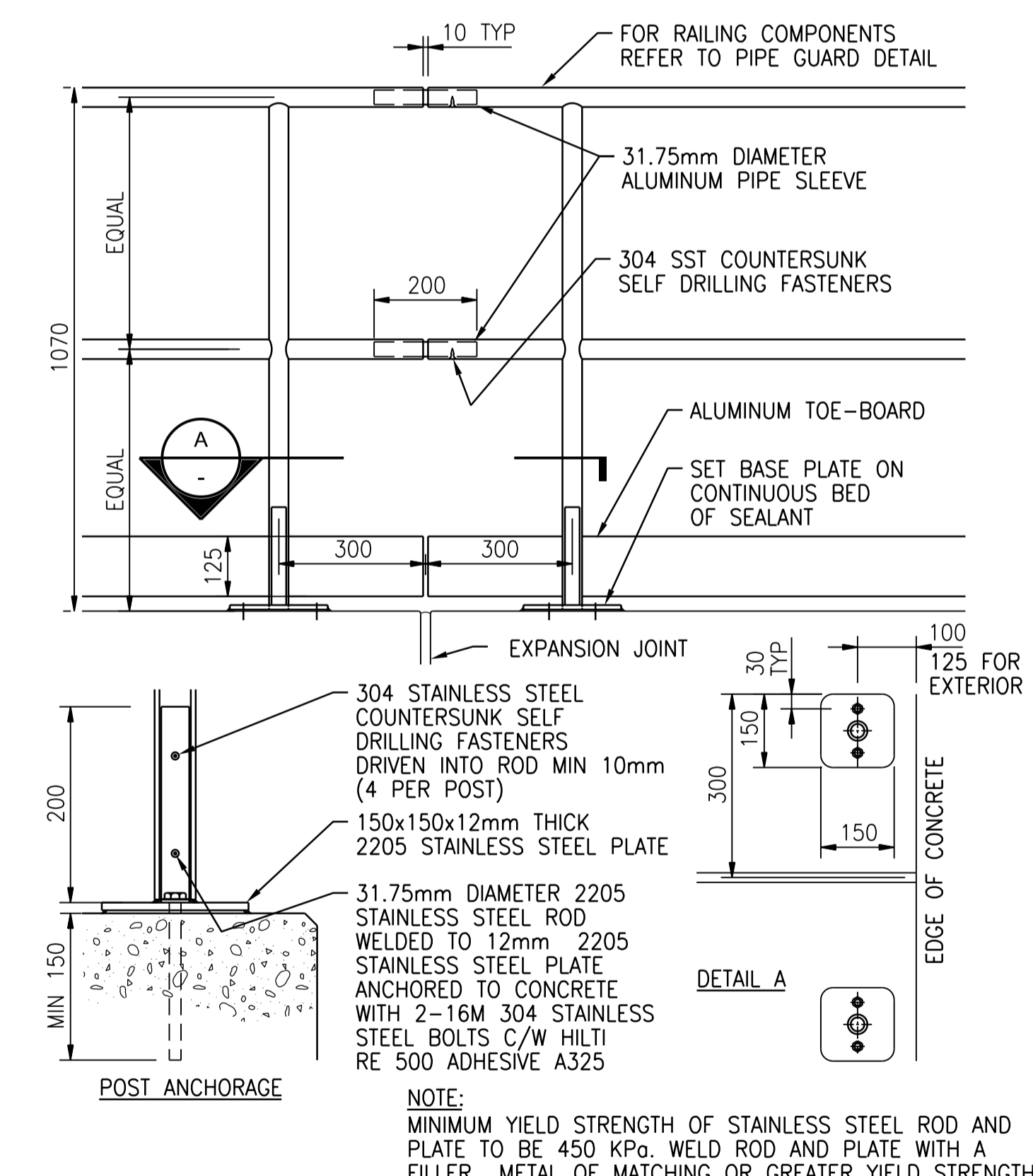
POST ANCHORAGE -
REMOVABLE ALUMINUM GUARD (SURFACE MOUNTED)

NTS (0552-811)



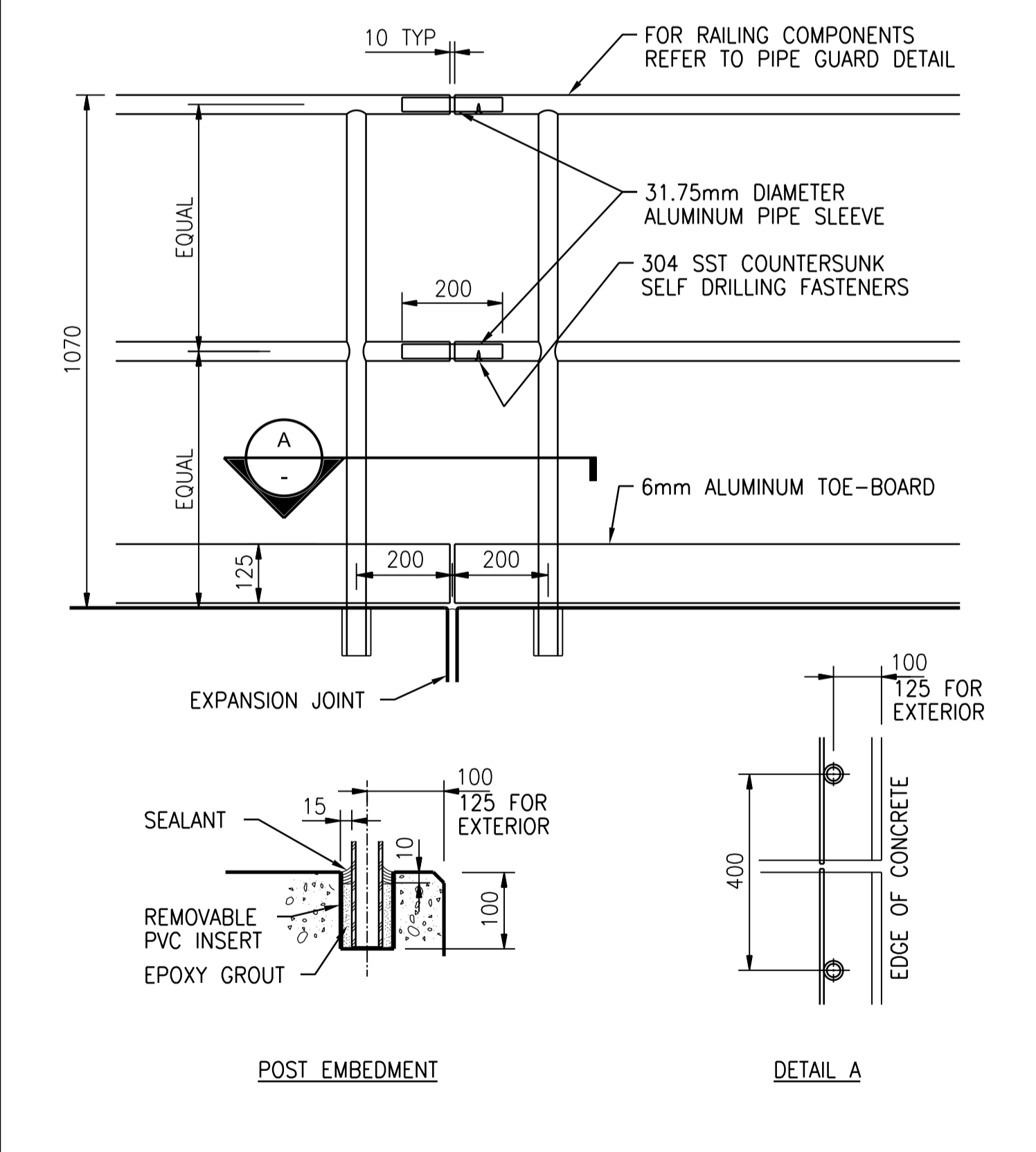
POST EMBEDMENT -
HINGED DOUBLE GATE PIPE RAILING (MAX 2000)

NTS (0552-814)



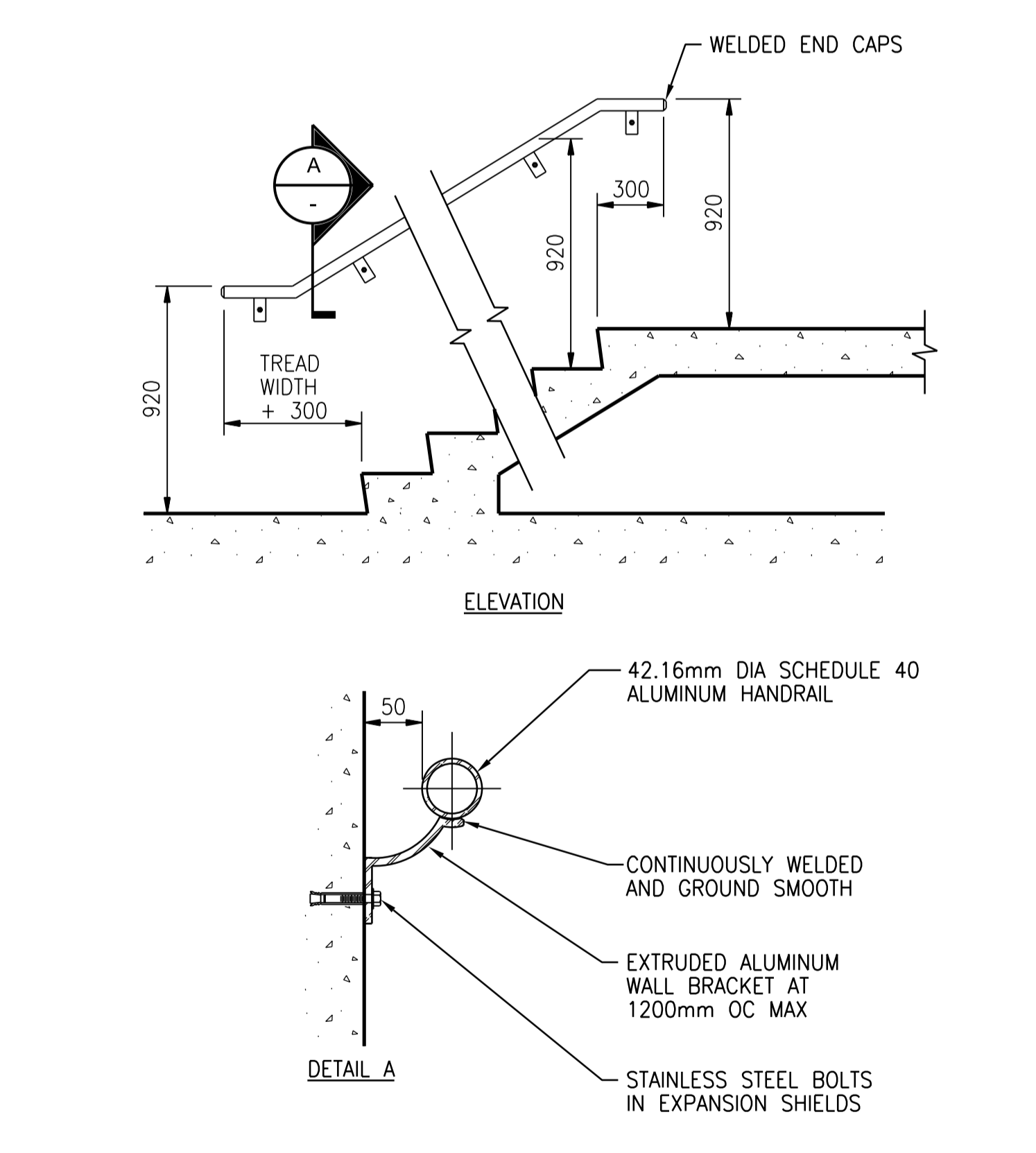
POST ANCHORAGE -
PIPE RAILING EXPANSION JOINT (SURFACE MOUNTED)

NTS (0552-815)



POST ANCHORAGE -
PIPE RAILING EXPANSION JOINT (EMBEDDED)

NTS (0552-816)



WALL MOUNTED PIPE HANDRAIL

NTS (0552-019)

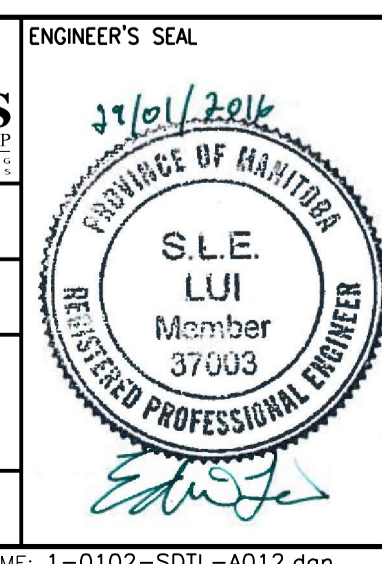


NO.	REVISIONS	DATE	DESIGN	CHECK
02	ISSUED FOR TENDER - B.O. 899-2015	01/2016	G.O. J.C.	
01	ISSUED FOR CONSTRUCTION	10/2015	G.O. J.C.	
00	ISSUED FOR TENDER	08/2015	G.O. J.C.	

CH2MHILL.

SNC-LAVALIN

DESIGNED BY: J. THANNICKAL
 CHECKED BY: E. LUI
 DRAWN BY: G. OMORI
 APPROVED BY: H.T. FREIHAMMER
 SCALE: NTS
 ISSUED FOR CONSTRUCTION BY: T. TURZAK
 DATE: 2015/08/13
 DATE: 2016/01/29
 CONSULTANT NO.: 474248



THE CITY OF WINNIPEG
WATER AND WASTE DEPARTMENT

SOUTH END WATER POLLUTION CONTROL CENTRE
SEWPPC UPGRADING/EXPANSION PROJECT
STRUCTURAL
STANDARD DETAILS (11)

CITY DRAWING NUMBER: 1-0102-SDTL-A012
SHEET: 02
REV: 02
SIZE: A1