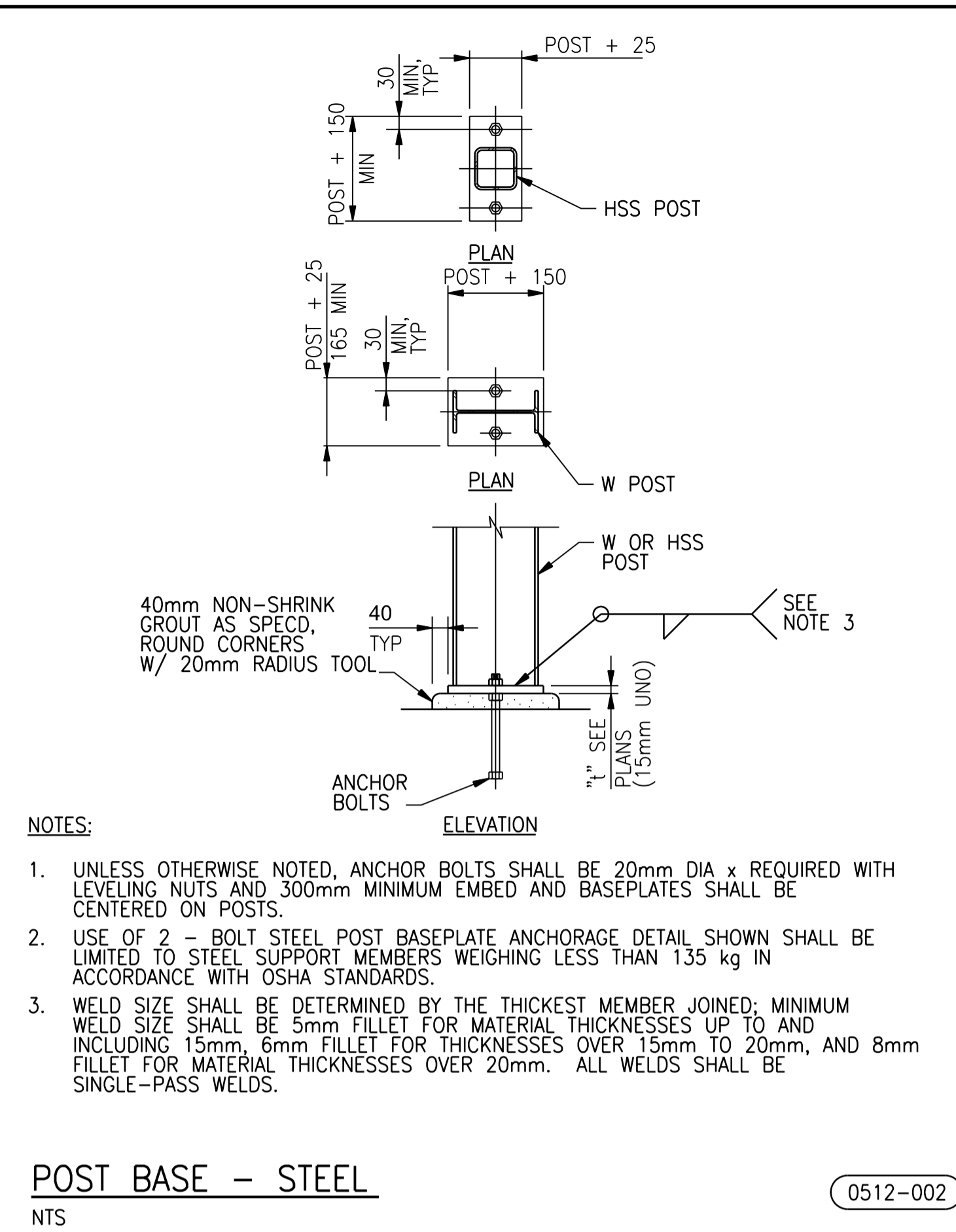
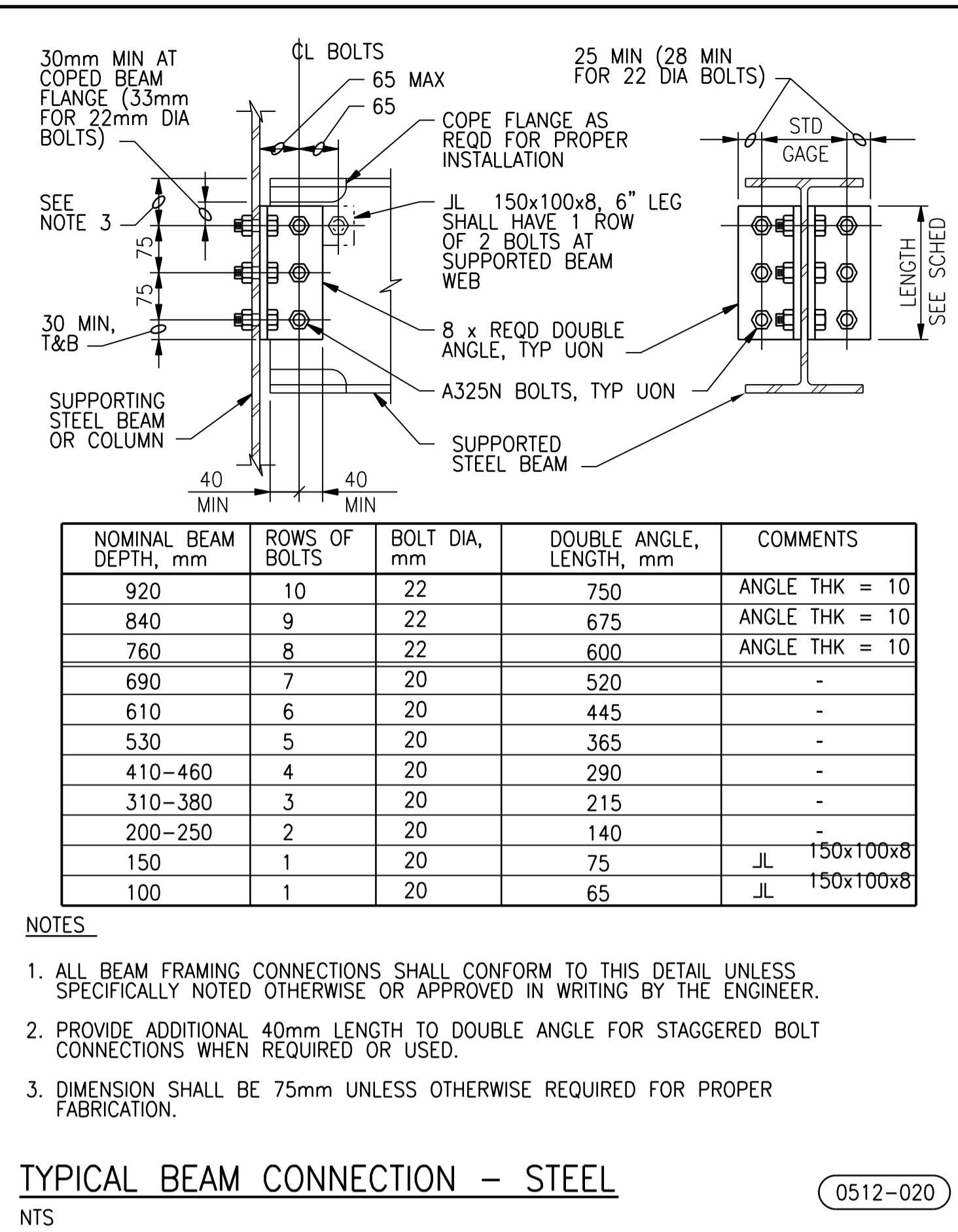


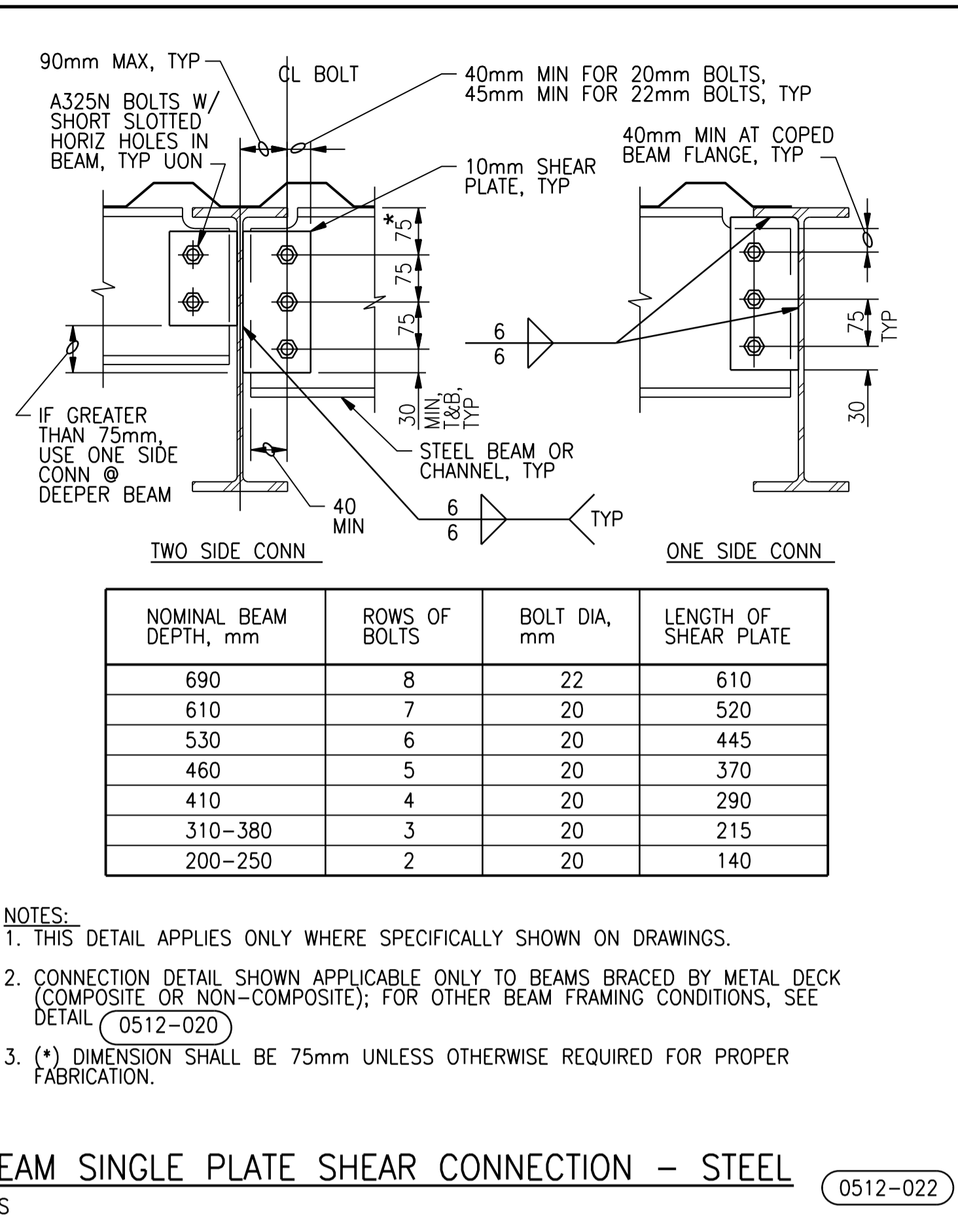
COLUMN BASE - STEEL (0512-001) NTS



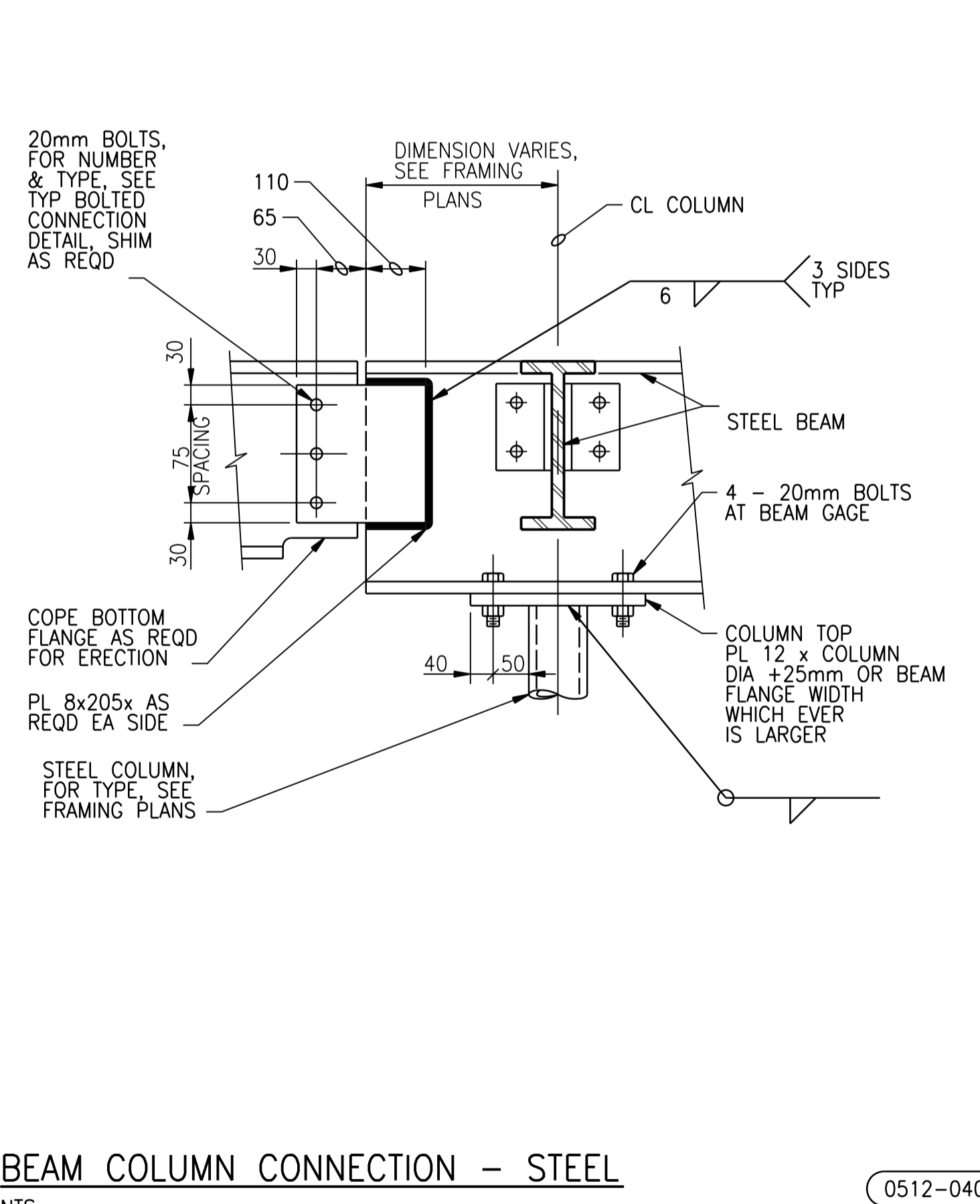
POST BASE - STEEL (0512-002) NTS



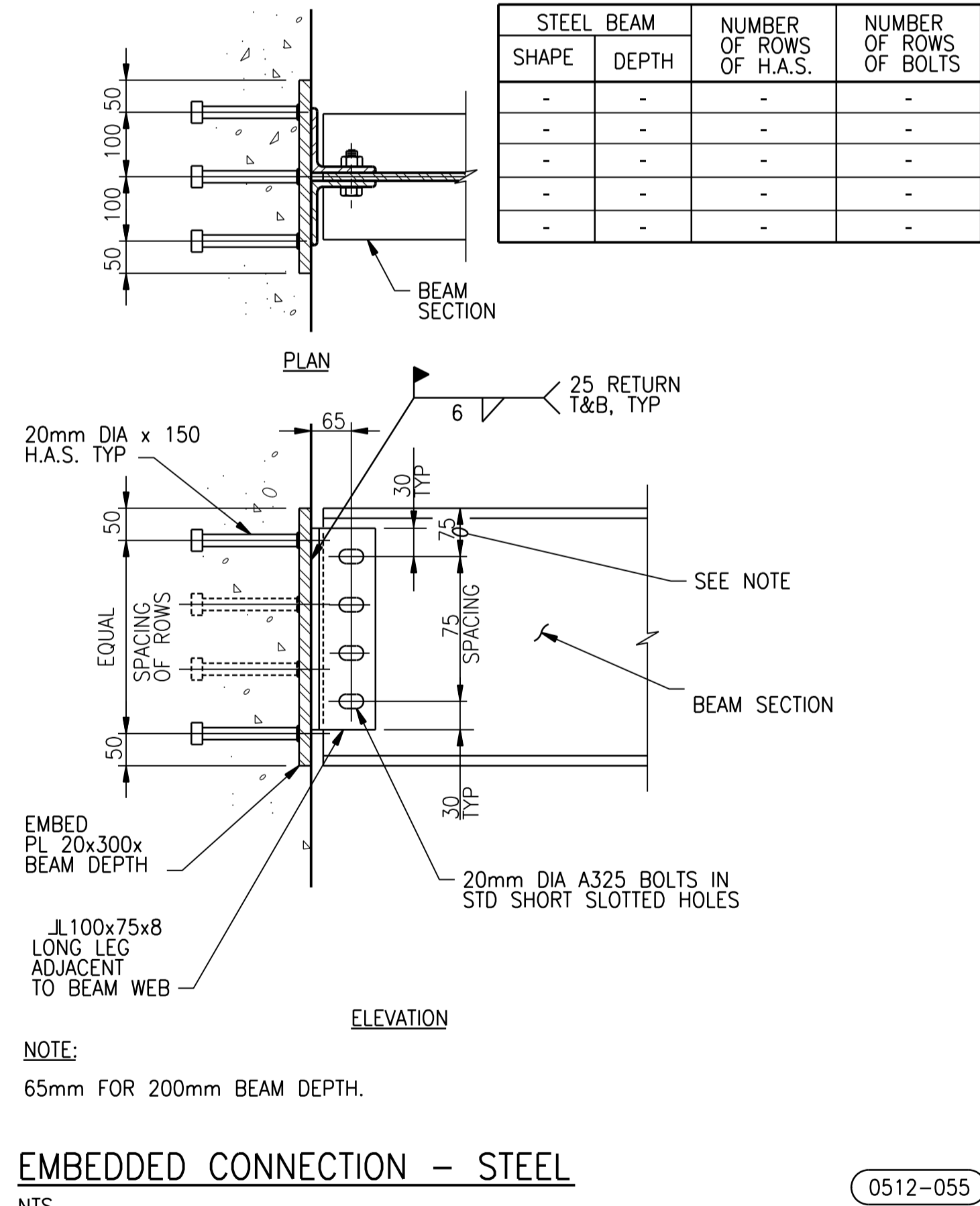
TYPICAL BEAM CONNECTION - STEEL (0512-020) NTS



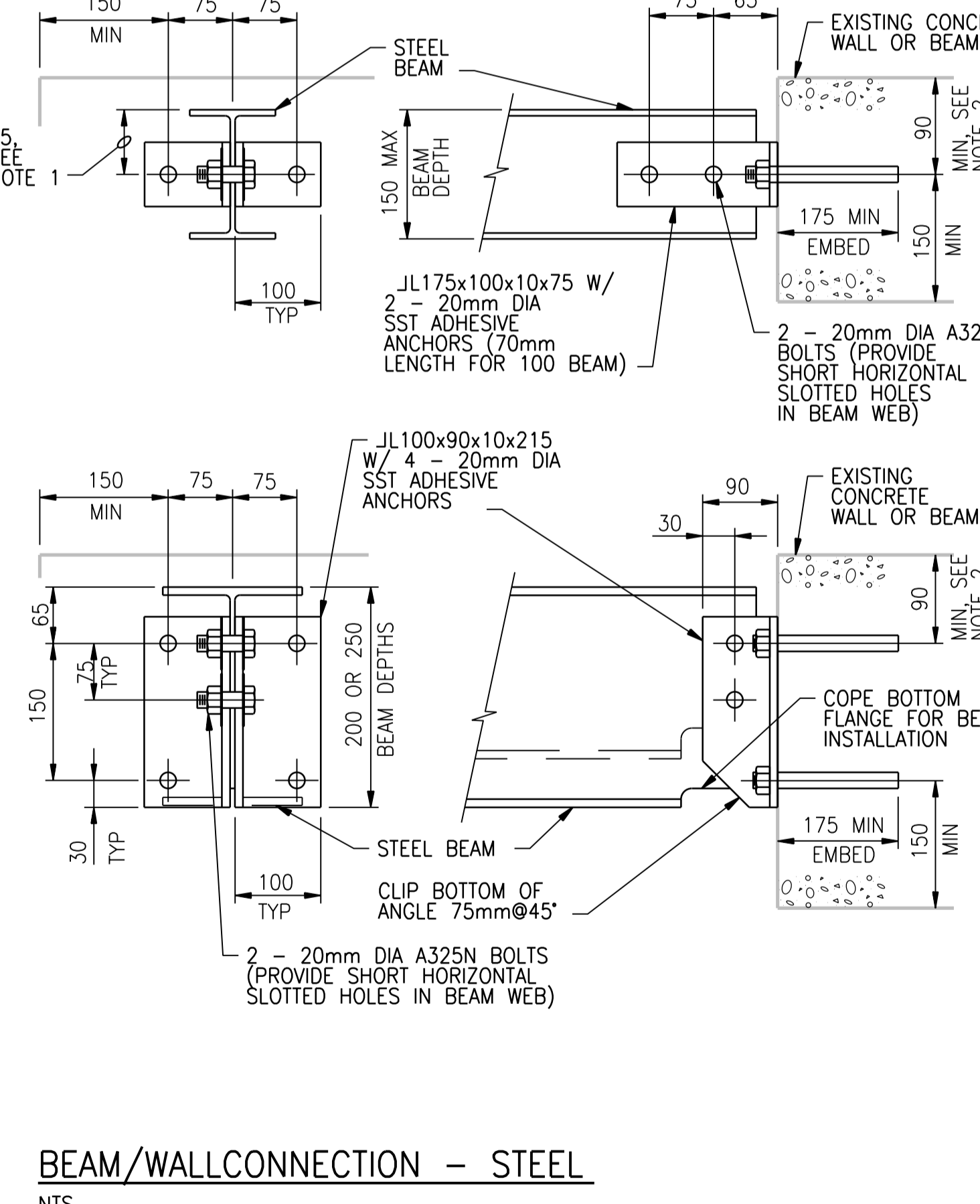
BEAM SINGLE PLATE SHEAR CONNECTION - STEEL (0512-022) NTS



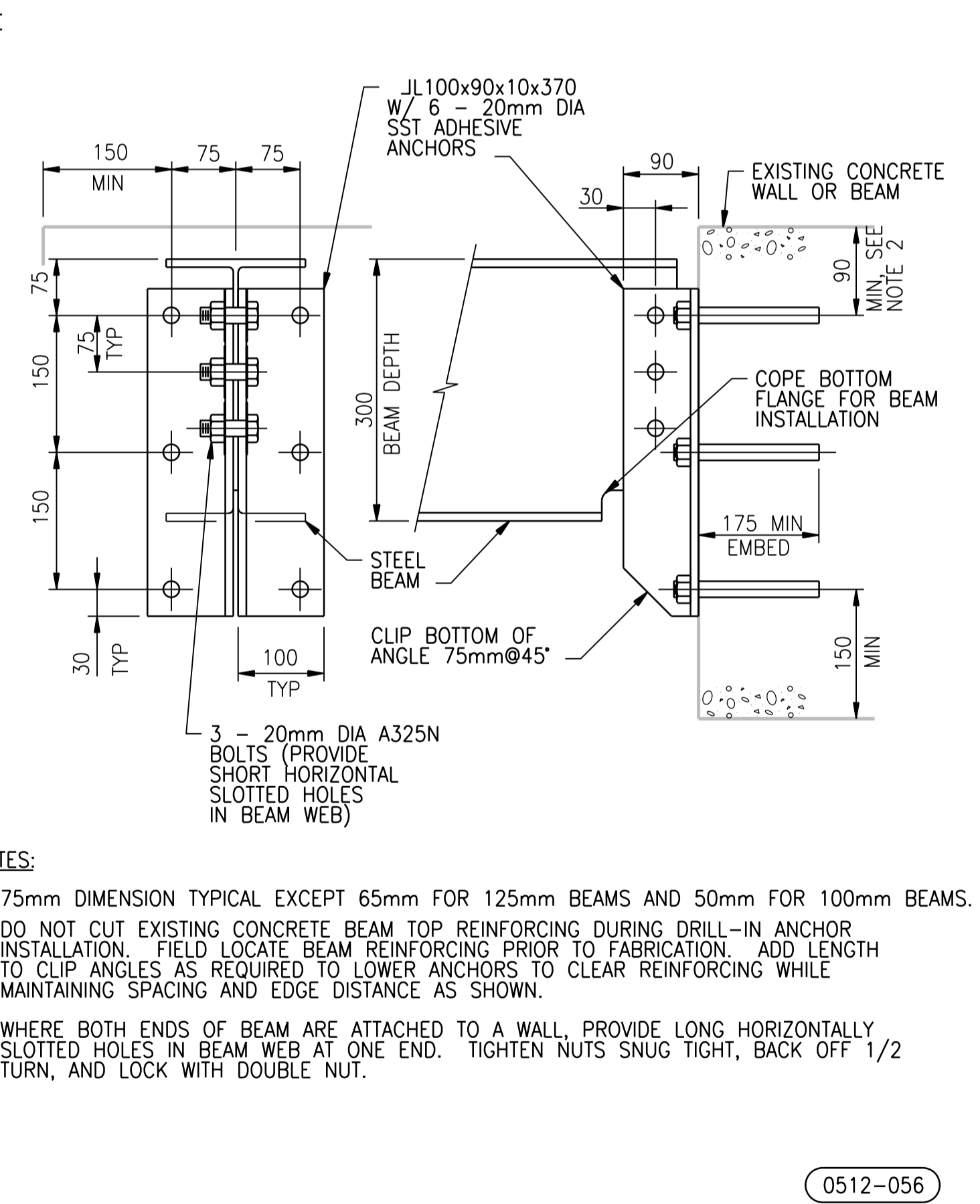
BEAM COLUMN CONNECTION - STEEL (0512-040) NTS



EMBEDDED CONNECTION - STEEL (0512-055) NTS



BEAM/WALL CONNECTION - STEEL (0512-056) NTS



BEAM/WALL CONNECTION - STEEL (0512-056) NTS



NO.	REVISIONS	DATE	DESIGN	CHECK
00	ISSUED FOR TENDER - B.O. 899-2015	01/2015	G.O.	J.C.

CH2MHILL
SNC-LAVALIN
DESIGNED BY: J. THANNICKAL
CHECKED BY: E. LUI
DRAWN BY: G. OMORI
APPROVED BY: H.T. FREIHAMMER
SCALE: NTS
ISSUED FOR CONSTRUCTION BY: T. TURZAK
DATE: 2016/01/19
DATE: 2016/01/29
CONSULTANT NO.: 474248

ENGINEER'S SEAL
31/01/2016
PROVINCE OF MANITOBA
REGISTERED PROFESSIONAL ENGINEER
S.I.E. LUI
Member 37003

THE CITY OF WINNIPEG
Winnipeg WATER AND WASTE DEPARTMENT
SOUTH END WATER POLLUTION CONTROL CENTRE
SEWPPC UPGRADING/EXPANSION PROJECT
STRUCTURAL
STANDARD DETAILS (15)
CITY DRAWING NUMBER: 1-0102-SDTL-A016
SHEET: 00
REV: A1
SIZE: A1