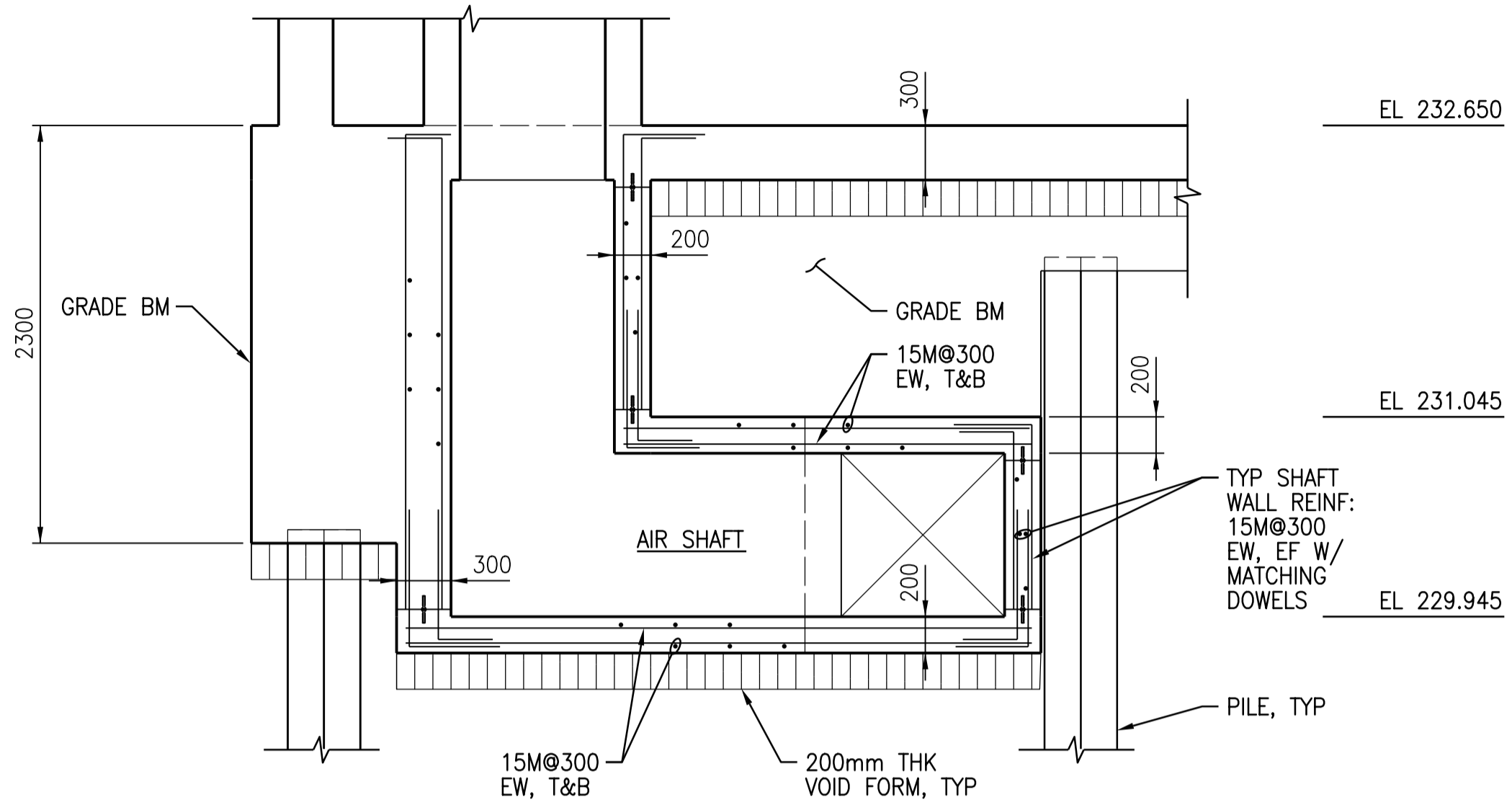
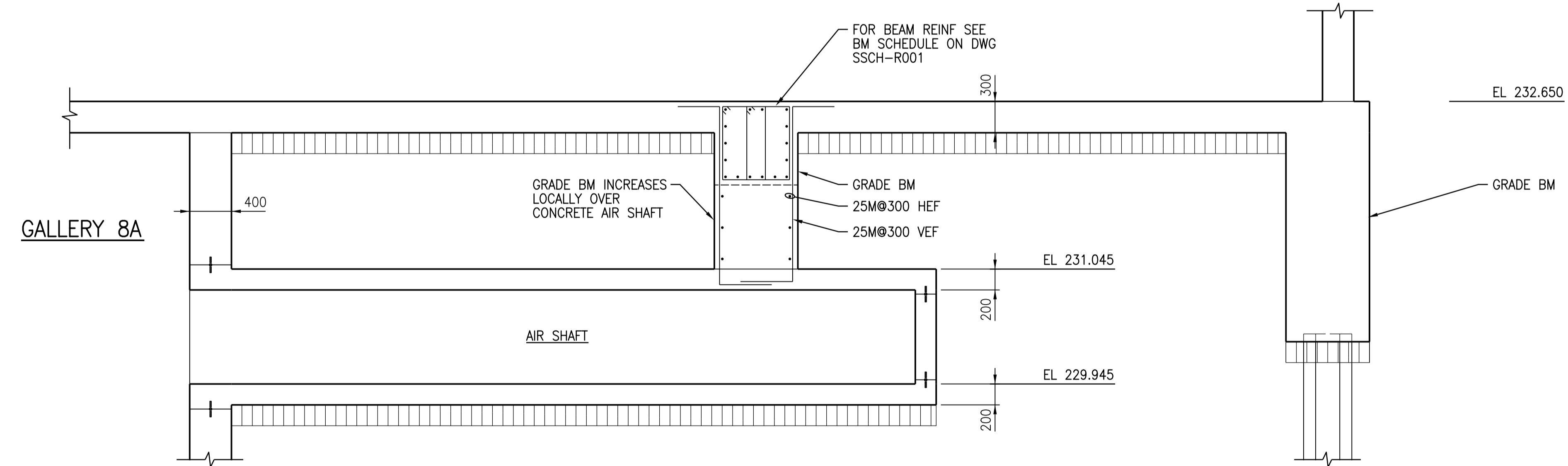


FOR REINFORCING NOT SHOWN SEE AND
SGAD-R028 AND SGAD-R024

1 PLAN
1:30
DETAIL
SGAD-R013



2 SECTION
1:30
DETAIL

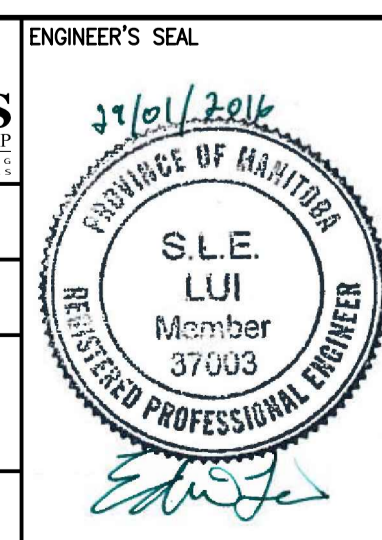


3 SECTION
1:30
DETAIL

APEGM
Certificate of Authorization
CH2M HILL Canada Ltd.
No. 1441

00	ISSUED FOR TENDER - B.O. 899-2015	01/2016	C.R.	J.C.
NO.	REVISIONS	DATE	DESIGN	CHECK

CH2MHILL	
SNC-LAVALIN	KCS GROUP
DESIGNED BY: J. THANNICKAL	CHECKED BY: E. LUI
DRAWN BY: C. RYNARD	APPROVED BY: H.T. FREIHAMMER
SCALE: AS NOTED	ISSUED FOR CONSTRUCTION BY: T. TURZAK
DATE: 2016/01/29	DATE: 2016/01/29
CONSULTANT NO.: 474248	



THE CITY OF WINNIPEG
Winnipeg WATER AND WASTE DEPARTMENT

SOUTH END WATER POLLUTION CONTROL CENTRE
SEWPCC UPGRADING/EXPANSION PROJECT
STRUCTURAL
BIOREACTORS/BLOWER BUILDING
DETAILS

CITY DRAWING NUMBER: 1-0102-SDTL-R003
SHEET: 00
REV: 00
SIZE: A1