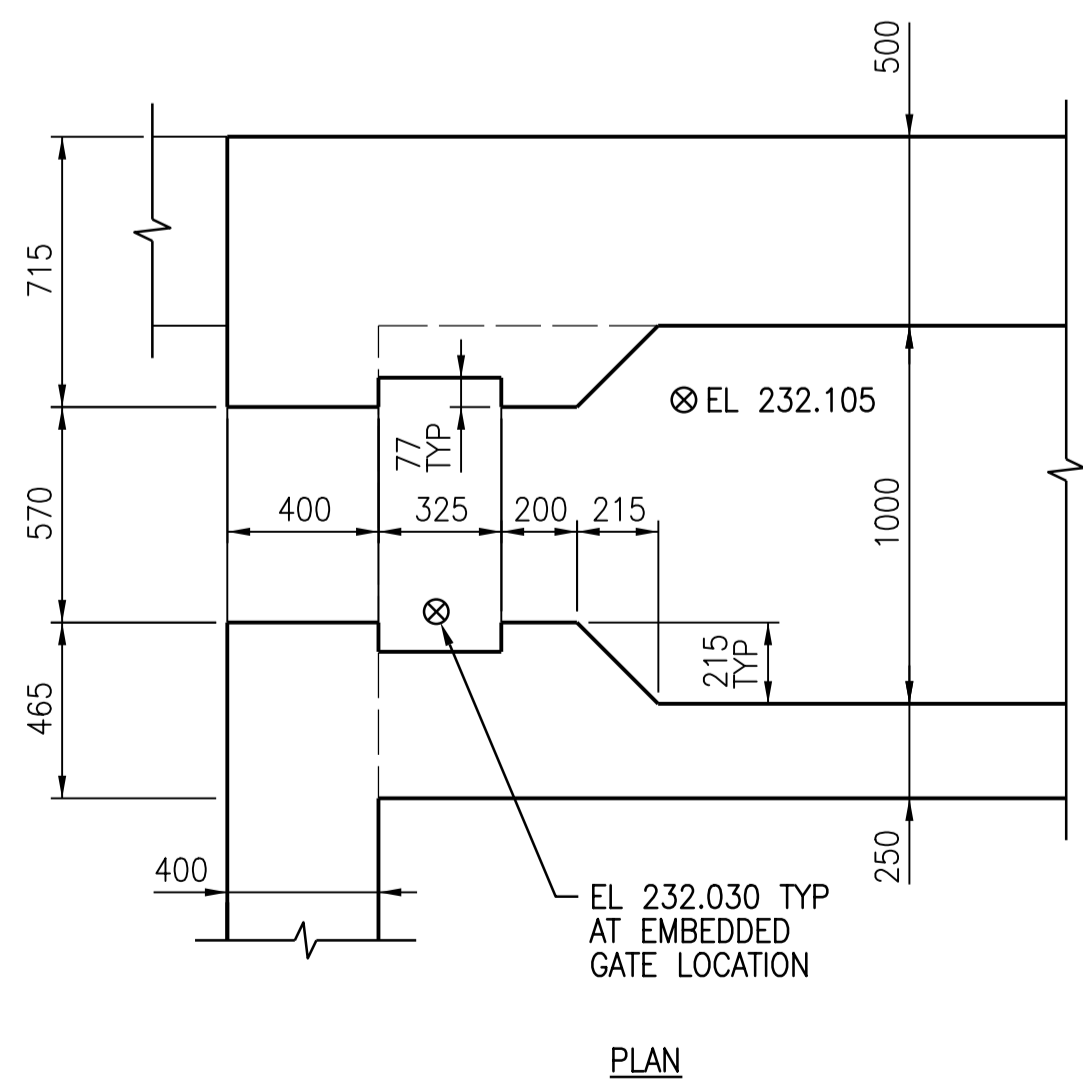
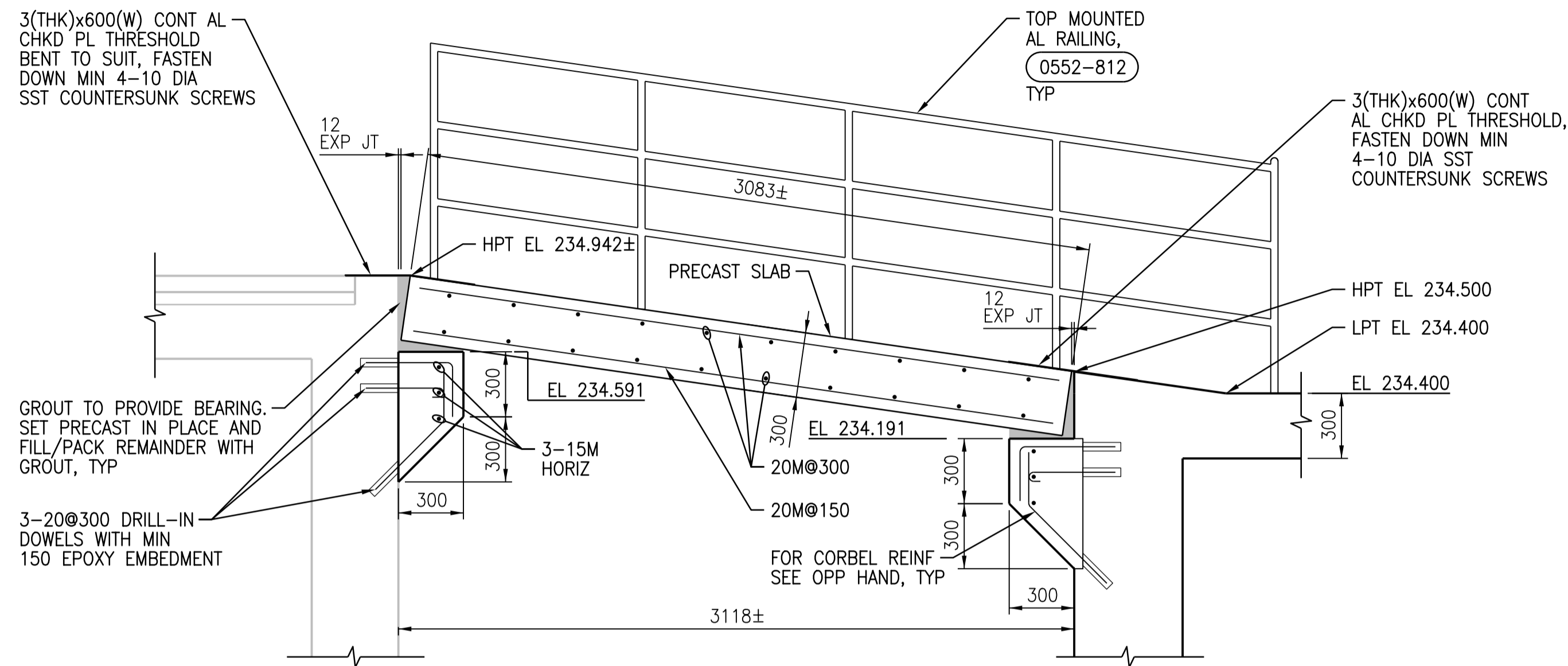


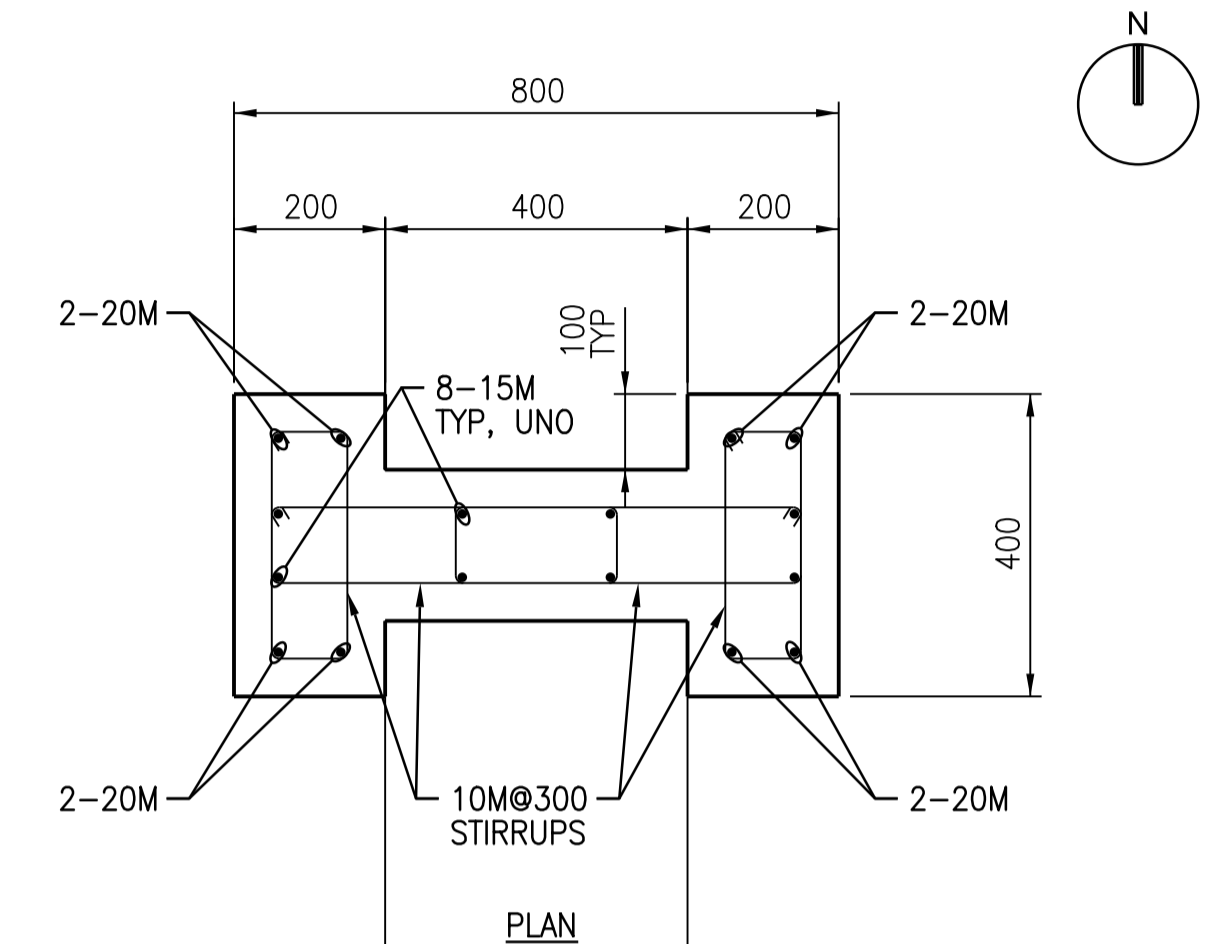
1 DETAIL
1:20
SGAD-R010



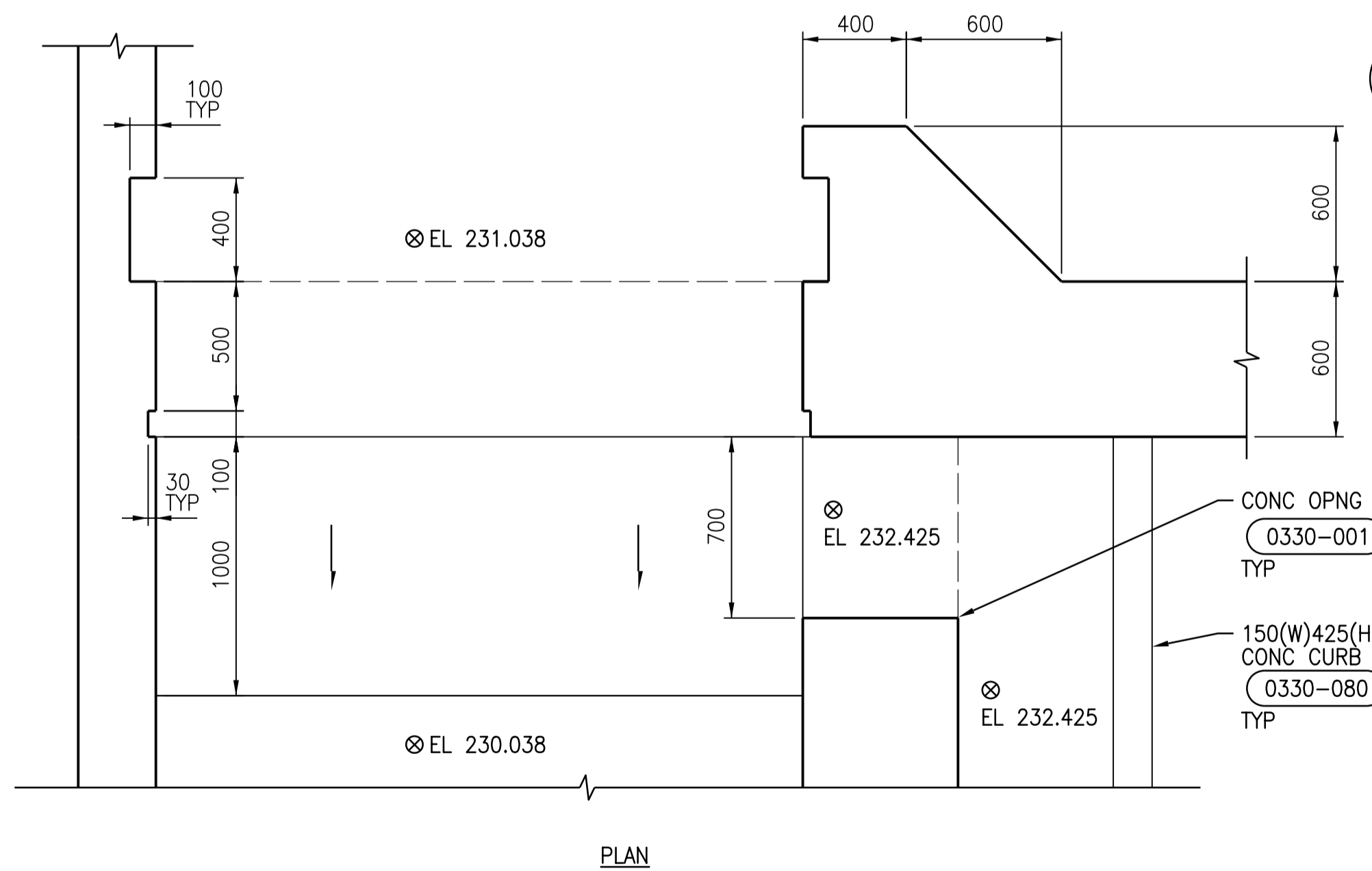
4 DETAIL
1:20
SGAD-R006, SGAD-R009, SGAD-R010



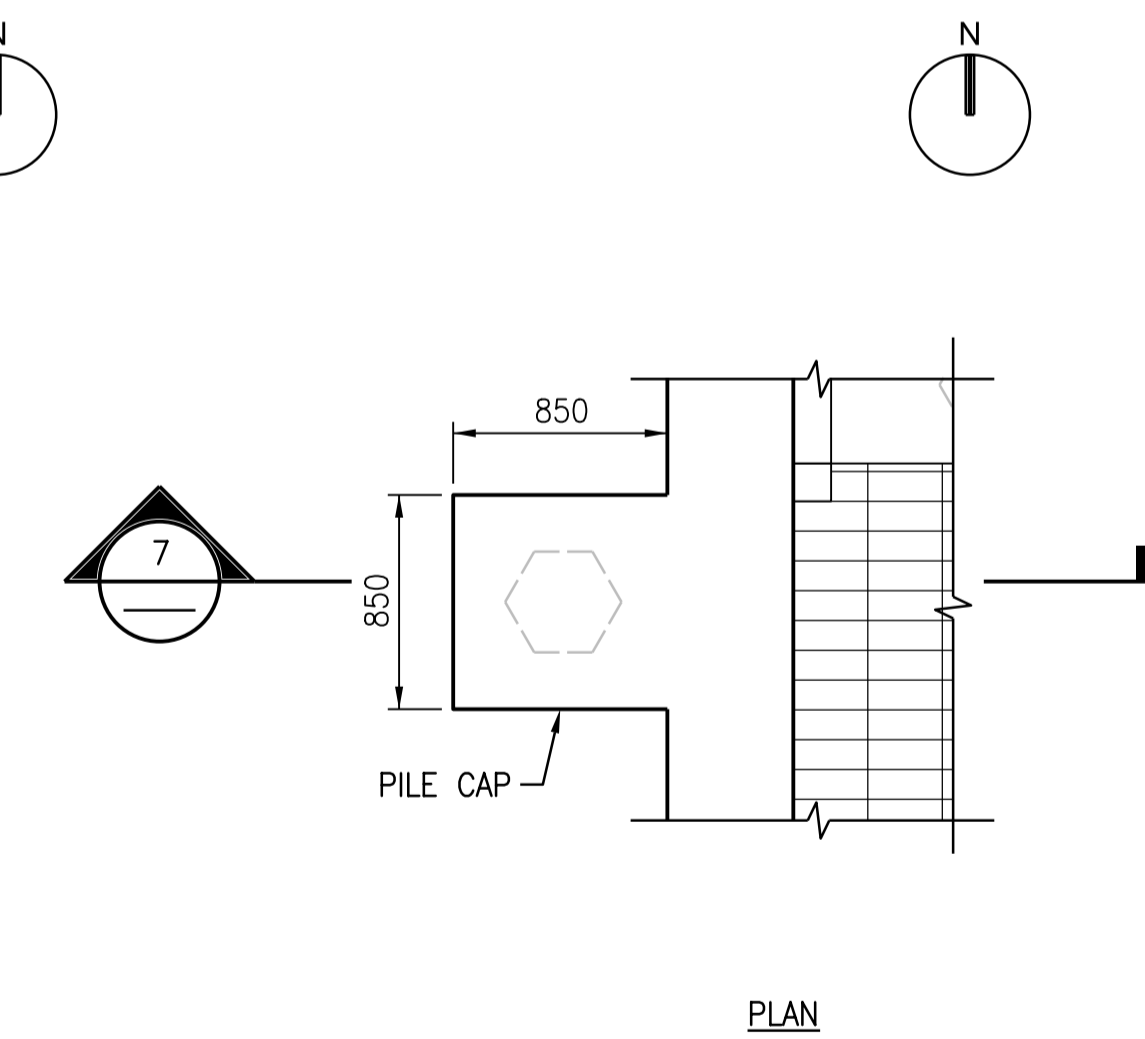
SECTION
2 DETAIL
1:20



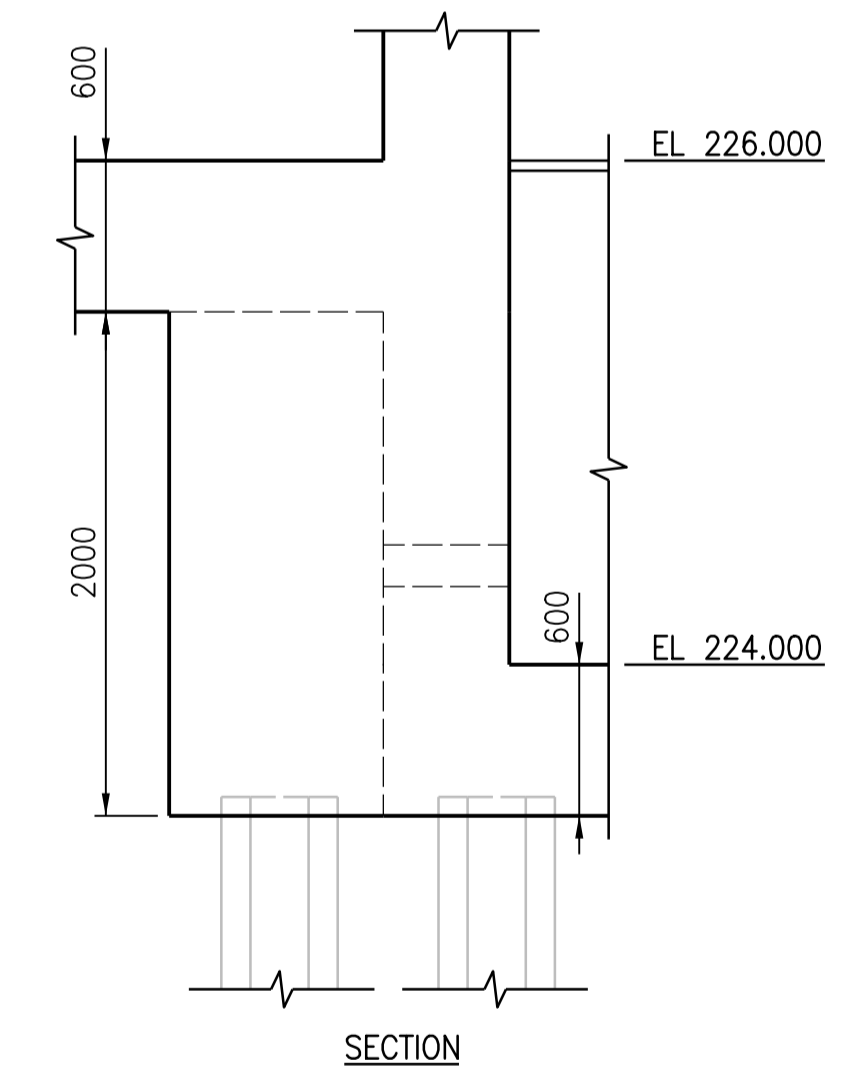
3 DETAIL
1:10
SGAD-R006



5 DETAIL
1:20
SGAD-R006



6 DETAIL
1:30
SGAD-R003

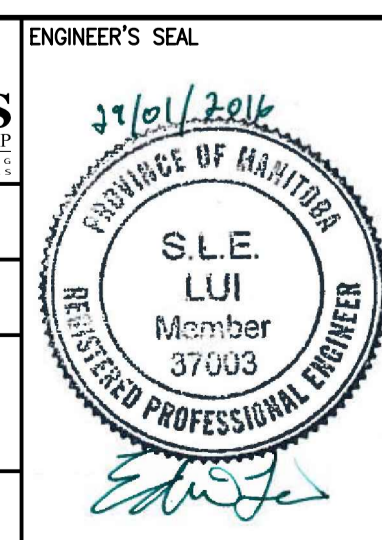


7 DETAIL
1:30



NO.	REVISIONS	DATE	DESIGN	CHECK
00	ISSUED FOR TENDER - B.O. 899-2015	01/2016	C.R.	J.C.

CH2MHILL		KCS GROUP	
DESIGNED BY: J. THANNICKAL	CHECKED BY: E. LUI	APPROVED BY: H.T. FREIHAMMER	ISSUED FOR CONSTRUCTION BY: T. TURZAK
DRAWN BY: C. RYNARD	SCALE: AS NOTED	DATE: 2016/01/29	DATE: 2016/01/29
CONSULTANT NO.: 474248			



THE CITY OF WINNIPEG
WATER AND WASTE DEPARTMENT

SOUTH END WATER POLLUTION CONTROL CENTRE
SEWPCC UPGRADING/EXPANSION PROJECT

STRUCTURAL
BIOREACTORS/BLOWER BUILDING
DETAILS

CITY DRAWING NUMBER: 1-0102-SDTL-R007
SHEET: 00
REV: 00
SIZE: A1