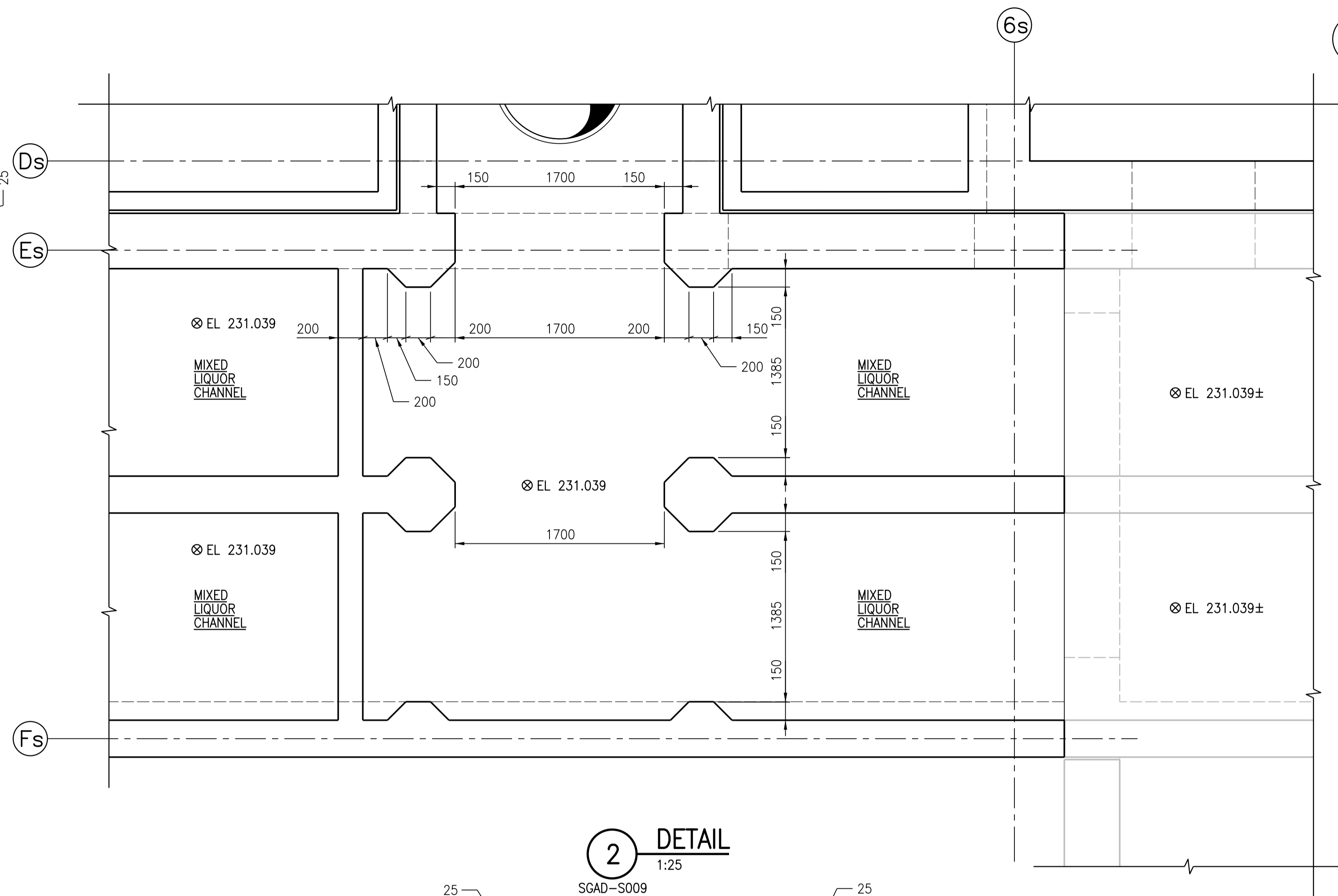
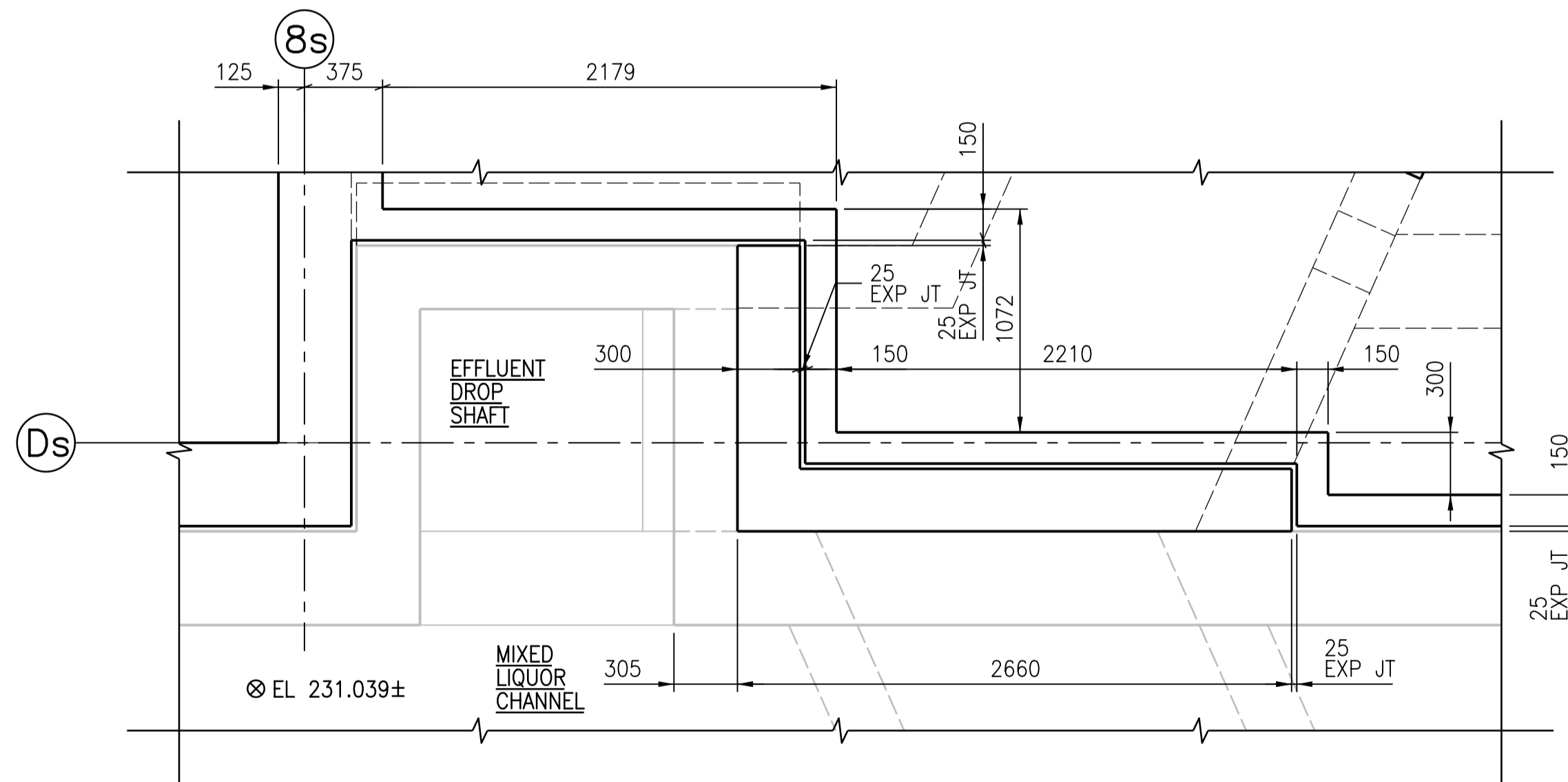


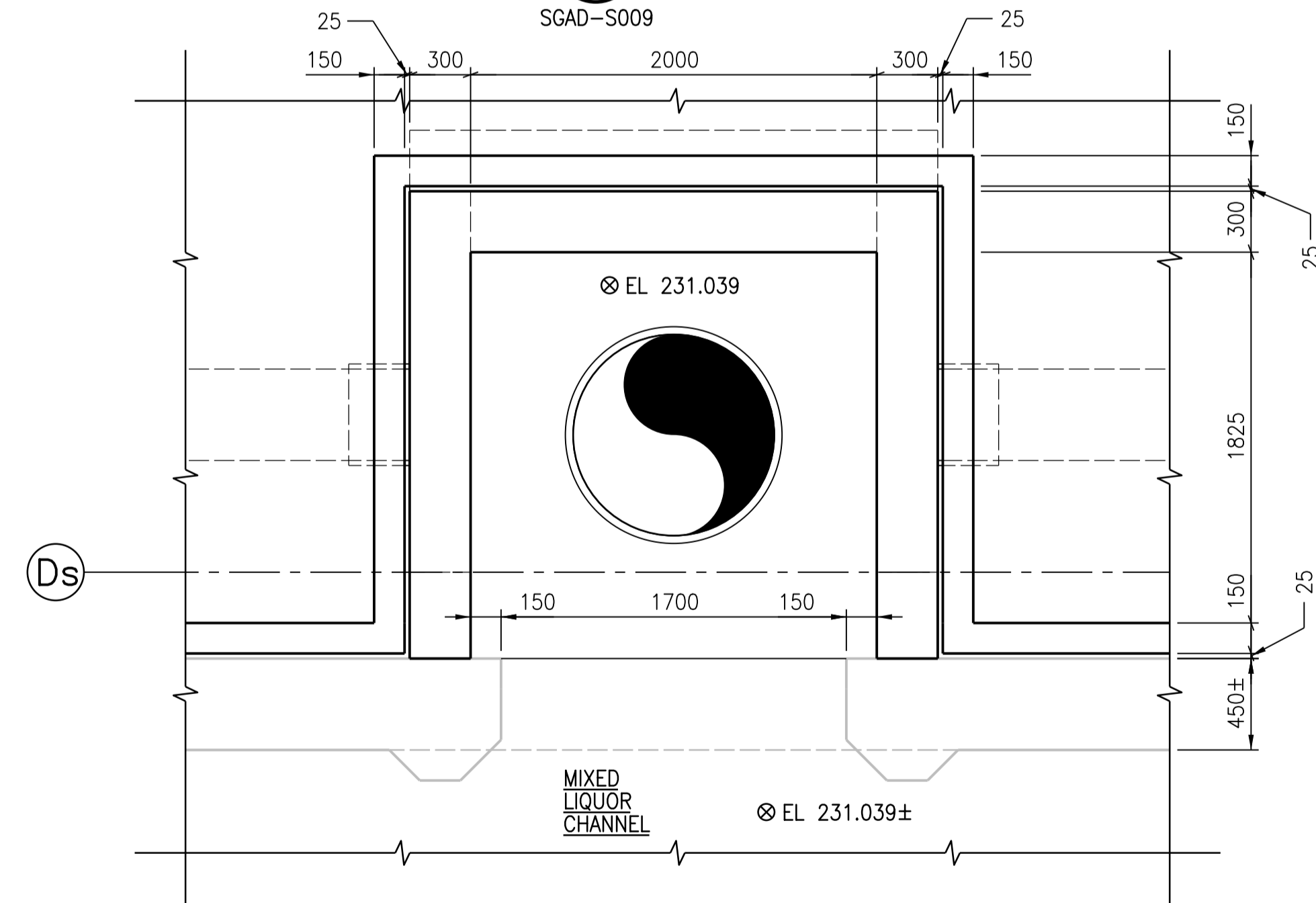
1 DETAIL
1:25
SGAD-S009



2 DETAIL
1:25
SGAD-S009



3 DETAIL
1:25
SGAD-S010

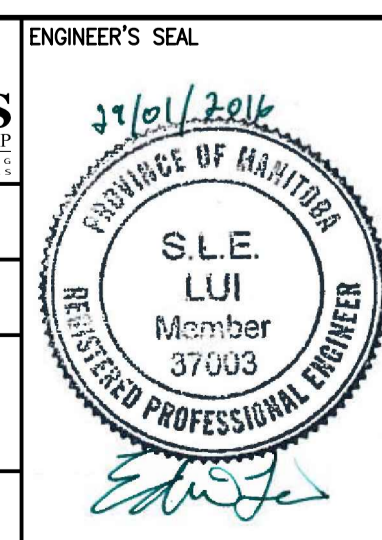


4 DETAIL
1:25
SGAD-S010



NO.	REVISIONS	DATE	DESIGN	CHECK
00	ISSUED FOR TENDER - B.O. 899-2015	01/2016	G.O.	J.C.

CH2MHILL		KGS	
SNC-LAVALIN		ENGINEER'S SEAL	
DESIGNED BY: A THAKKAR	CHECKED BY: R. PARIKH		
DRAWN BY: G. OMORI	APPROVED BY: H.T. FREIHAMMER		
SCALE: 1:25	ISSUED FOR CONSTRUCTION BY: T. TURZAK		
DATE: 2016/01/29	DATE: 2016/01/29	CONSULTANT NO.: 474248	



THE CITY OF WINNIPEG
Winnipeg WATER AND WASTE DEPARTMENT

SOUTH END WATER POLLUTION CONTROL CENTRE
SEWPCC UPGRADING/EXPANSION PROJECT
STRUCTURAL
SECONDARY CLARIFIERS 4 AND 5
DETAILS

CITY DRAWING NUMBER: 1-0102-SDTL-S008 | SHEET: 001 | REV: 00 | SIZE: A1