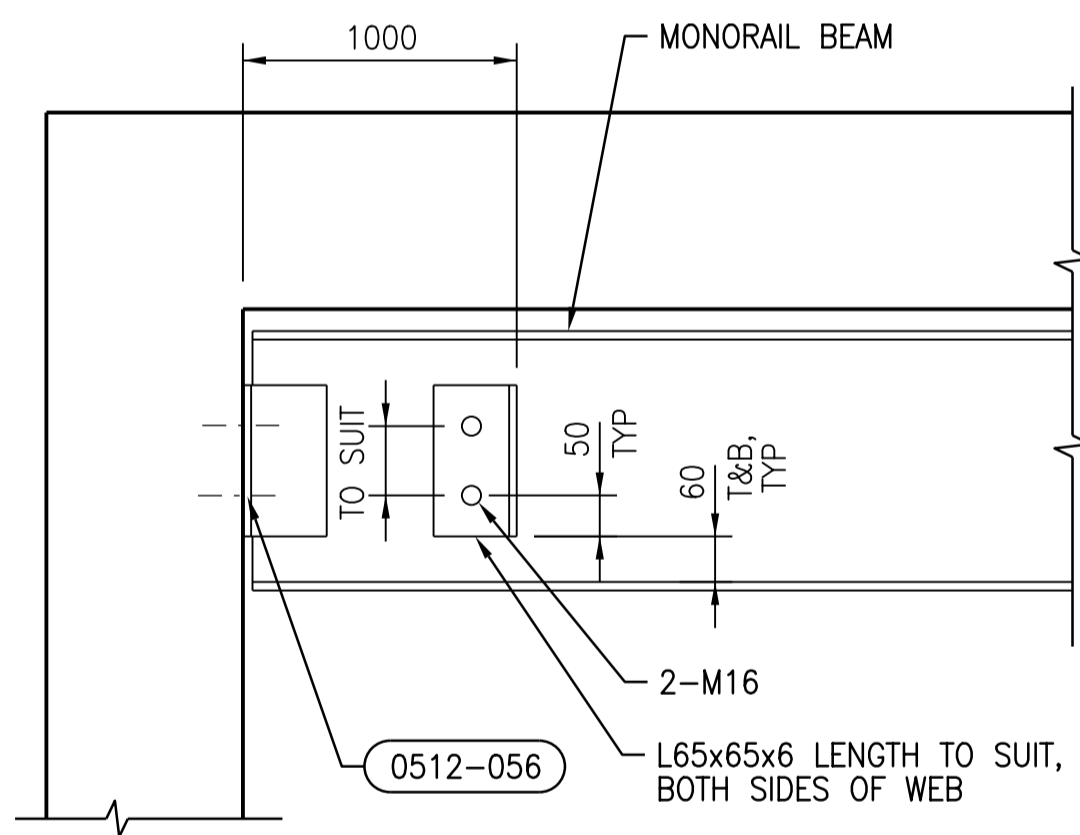


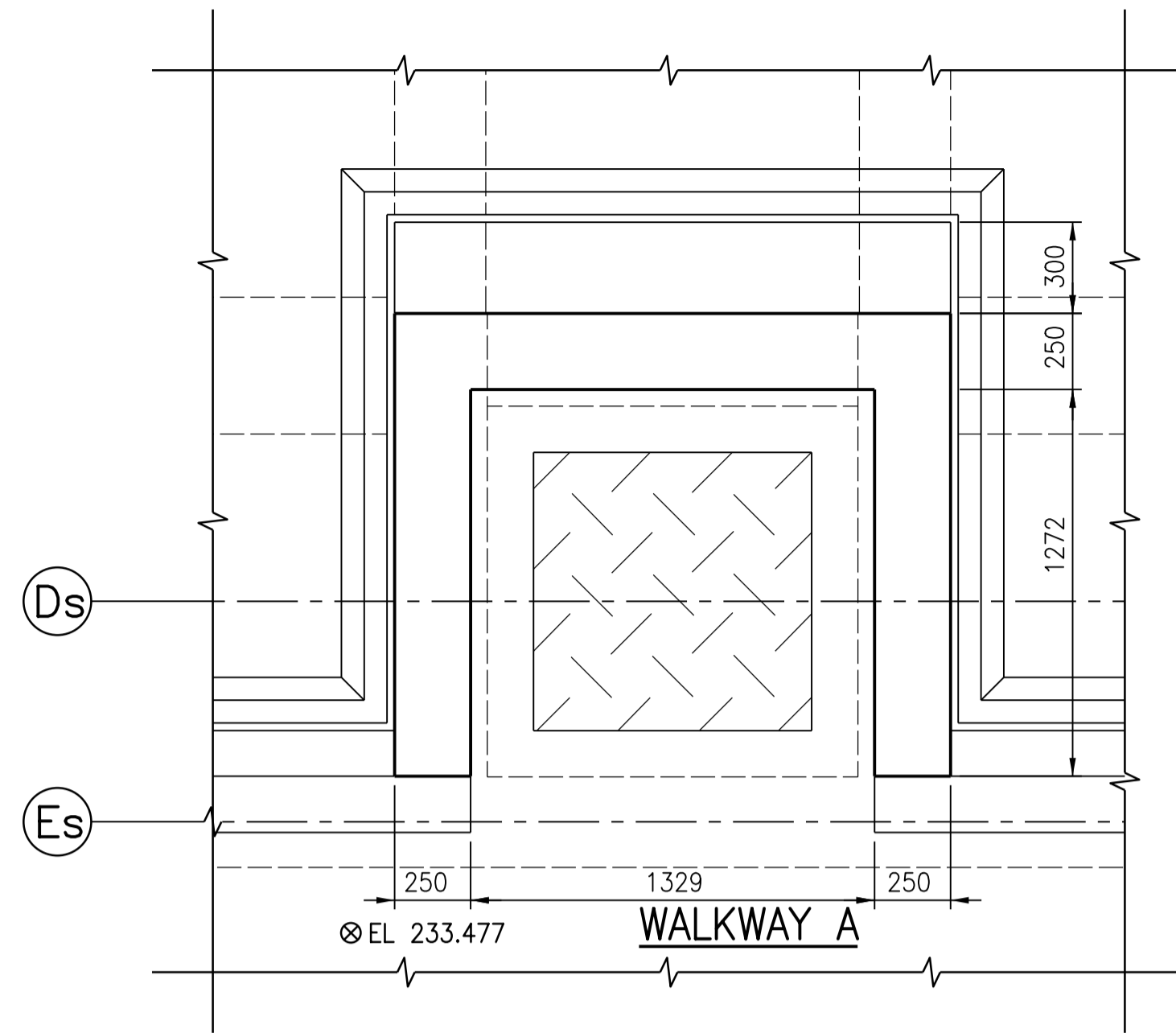
**1 DETAIL**  
NTS  
SGAD-S017,  
SGAD-S028

- NOTES:
1. PROVIDE ALL CONNECTION ASSEMBLY ITEMS ABOUT SPACING OF 2600 C TO C ALONG FULL LENGTH OF STEEL BEAM.
  2. MONORAIL CAPACITY = 2.0 TONNE

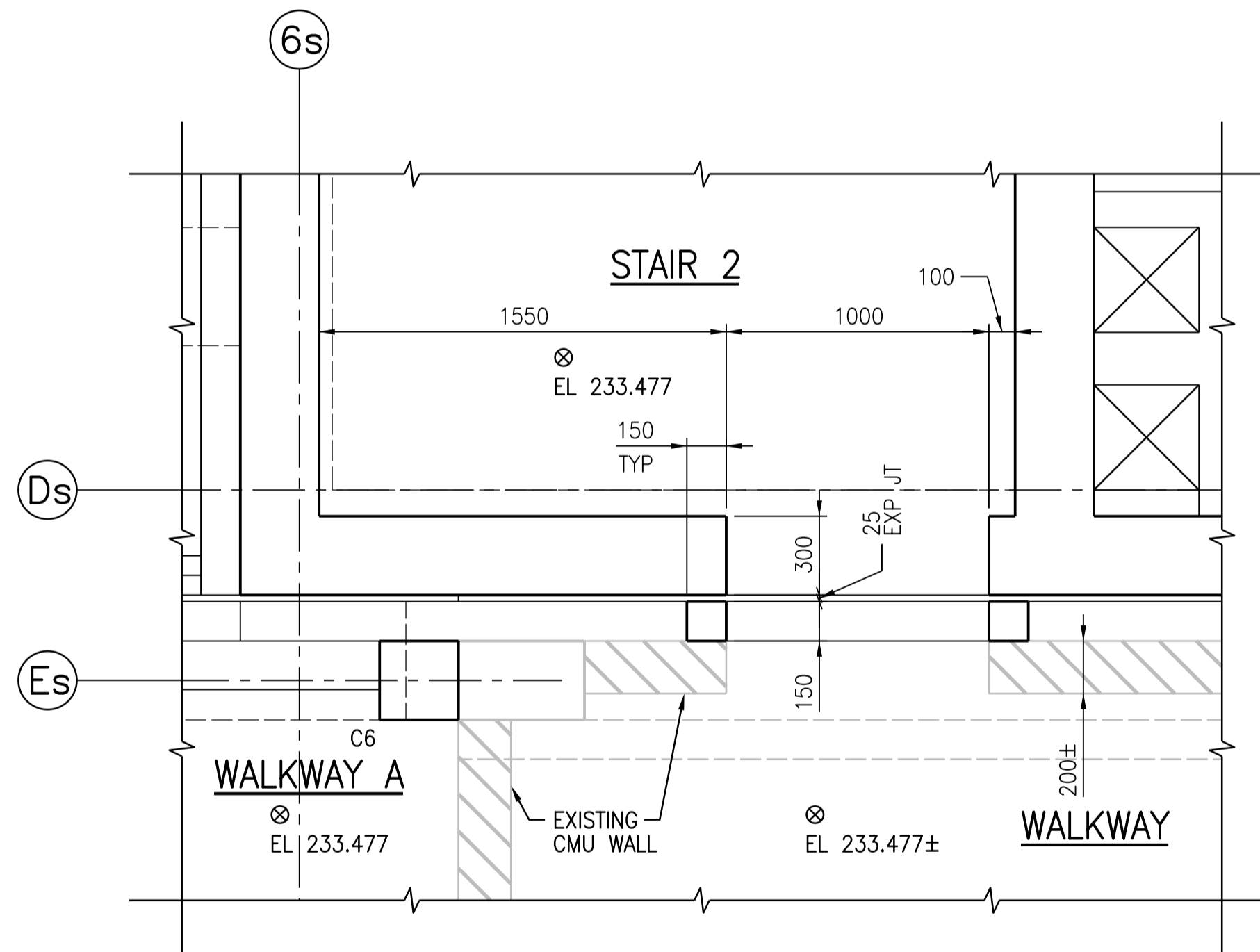


**ELEVATION**  
**MONORAIL STOP**

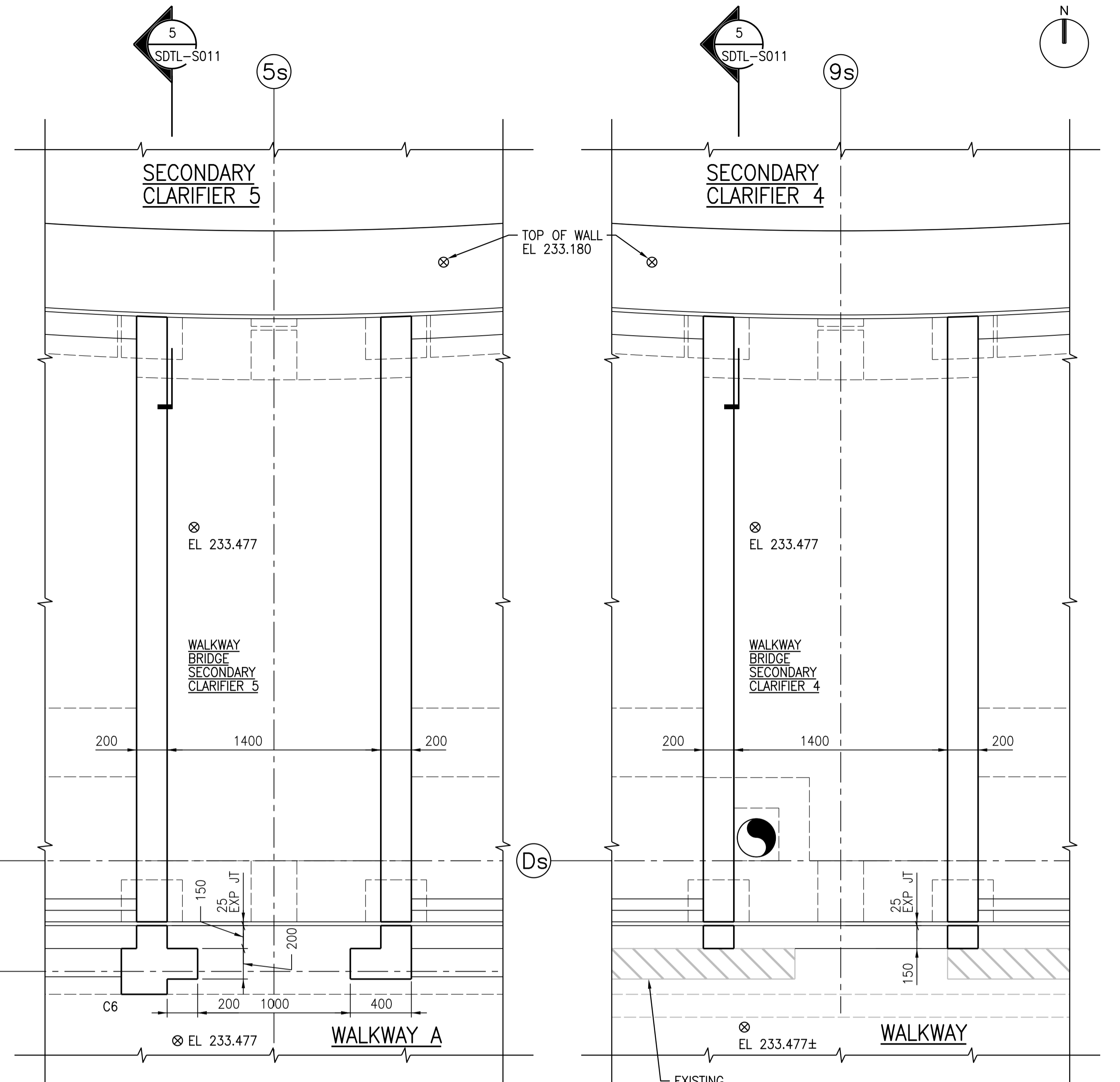
**2 DETAIL**  
NTS  
SGAD-S017,  
SGAD-S028



**3 DETAIL**  
1:20  
SGAD-S014



**4 DETAIL**  
1:20  
SGAD-S014



**5 DETAIL**  
1:20  
SGAD-S014

**6 DETAIL**  
1:20  
SGAD-S015



DESIGNED BY: A THAKKAR		CHECKED BY: R. PARIKH		SOUTH END WATER POLLUTION CONTROL CENTRE SEWPCC UPGRADING/EXPANSION PROJECT STRUCTURAL SECONDARY CLARIFIERS 4 AND 5 DETAILS		CITY DRAWING NUMBER 1-0102-SDTL-S010	
DRAWN BY: G. OMORI		APPROVED BY: H.T. FREIHAMMER		SHEET 001		REV. 00	
SCALE: AS NOTED		ISSUED FOR CONSTRUCTION BY: T. TURZAK		DATE: 2016/01/29		SIZE A1	
DATE: 2016/01/29		DATE: 2016/01/29		CONSULTANT NO.: 474248		SHEET 001	
00 ISSUED FOR TENDER - B.O. 899-2015		01/2016 G.O. J.C.		DATE DESIGN CHECK		FILE NAME:	
NO. REVISIONS		DATE		DESIGN CHECK		PLOT DATE: 1/28/2016	