

**R SECTION**  
1:50

SGAD-R001, SGAD-R002,  
SGAD-R005, SGAD-R006,  
SGAD-R009, SGAD-R010

**S SECTION**  
1:50

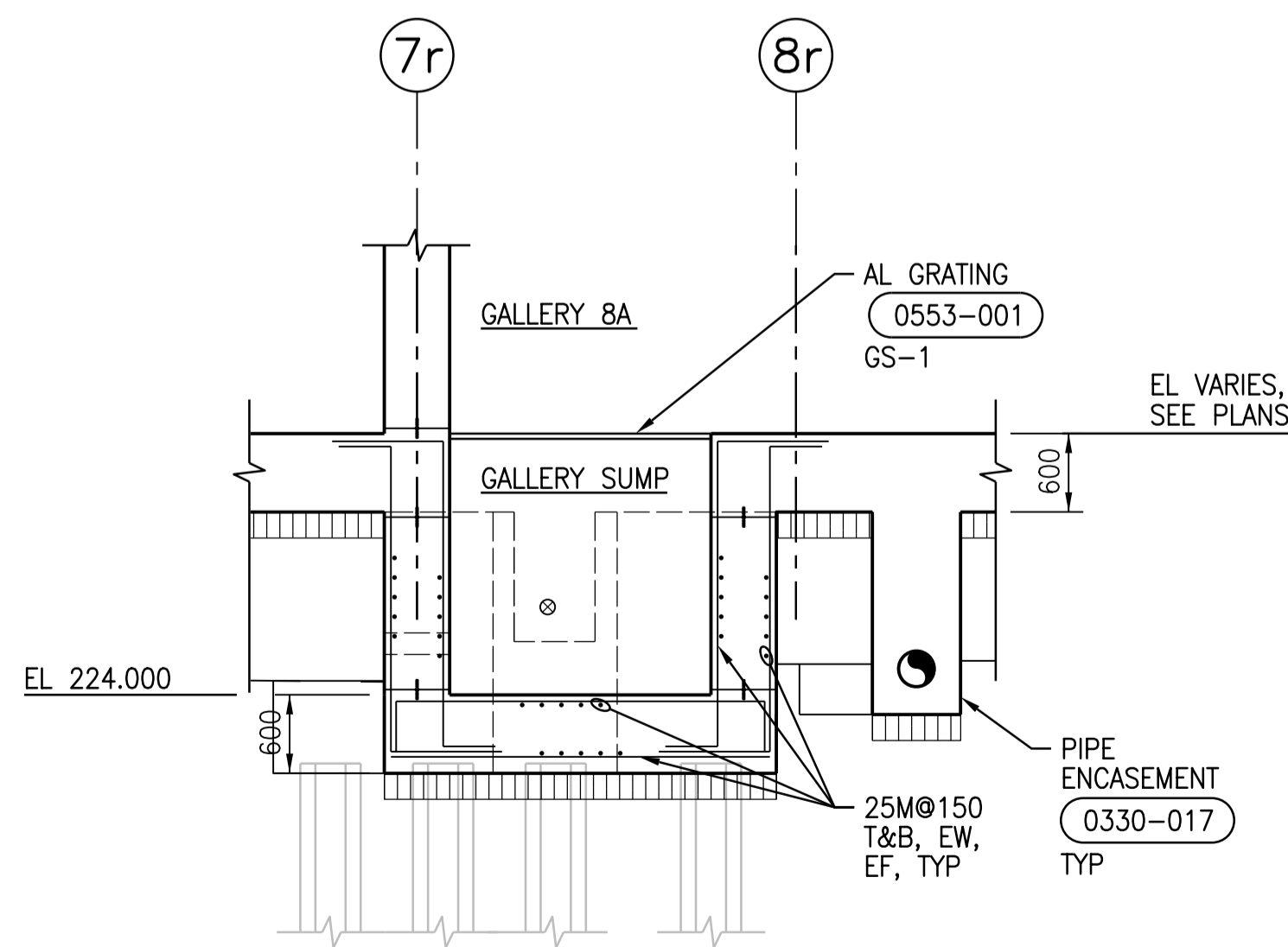
SGAD-R001, SGAD-R002,  
SGAD-R005, SGAD-R006,  
SGAD-R009, SGAD-R010

**T SECTION**  
1:50

SGAD-R001, SGAD-R002,  
SGAD-R005, SGAD-R006,  
SGAD-R009, SGAD-R010

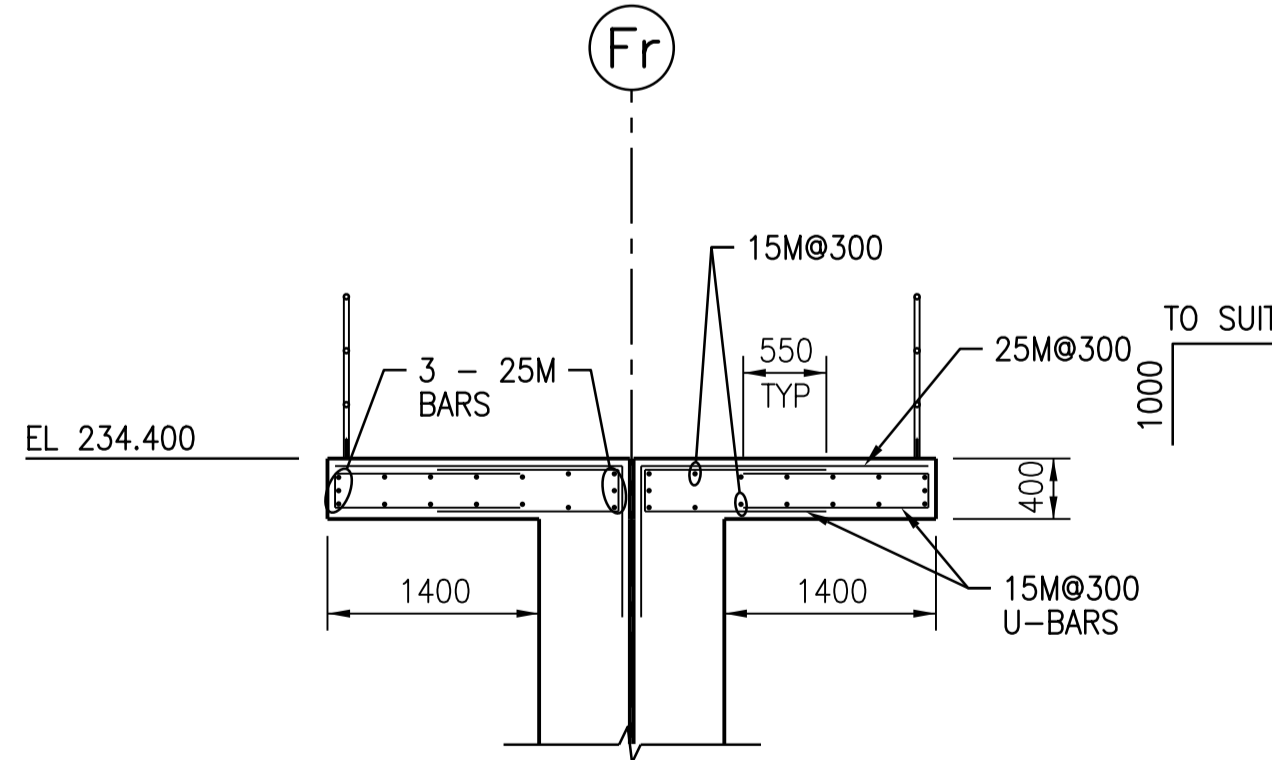
**W SECTION**  
1:50

SGAD-R001, SGAD-R002,  
SGAD-R005, SGAD-R006,  
SGAD-R009, SGAD-R010



**U SECTION**  
1:50

SGAD-R001, SGAD-R003



**V SECTION**  
1:50

SGAD-R009, SGAD-R010  
SGAD-R011, SGAD-R012

NOTE:

- FOR EXCAVATION AND BACKFILL REQUIREMENTS SEE SECTIONS **A**, **B**, **C**, **G**, AND **K** (SGAD-R015/R016, SGAD-R017/R018, SGAD-R019/R020, SGAD-R027, AND SGAD-R029)



|  |                                   |   |      |                        |  |   |  |
|--|-----------------------------------|---|------|------------------------|--|---|--|
|  |                                   |   |      |                        |  |   |  |
| DESIGNED BY: J. THANNICKAL<br>DRAWN BY: C. RYNARD<br>SCALE: 1:50<br>DATE: 2016/01/29 |                                   | CHECKED BY: E. LUI<br>APPROVED BY: H.T. FREIHAMMER<br>ISSUED FOR CONSTRUCTION BY: T. TURZAK<br>DATE: 2016/01/29 |      | CONSULTANT NO.: 474248 |  | SOUTH END WATER POLLUTION CONTROL CENTRE<br>SEWPCC UPGRADING/EXPANSION PROJECT<br>STRUCTURAL<br>BIOREACTORS/BLOWER BUILDING<br>SECTIONS R, S, T, U, V and W |  |
| 00   | ISSUED FOR TENDER - B.O. 899-2015 | 01/2016   | C.R. | J.C.                   | CITY DRAWING NUMBER: 1-0102-SGAD-R038<br>SHEET: 001<br>REV: 00<br>SIZE: A1 |   |  |