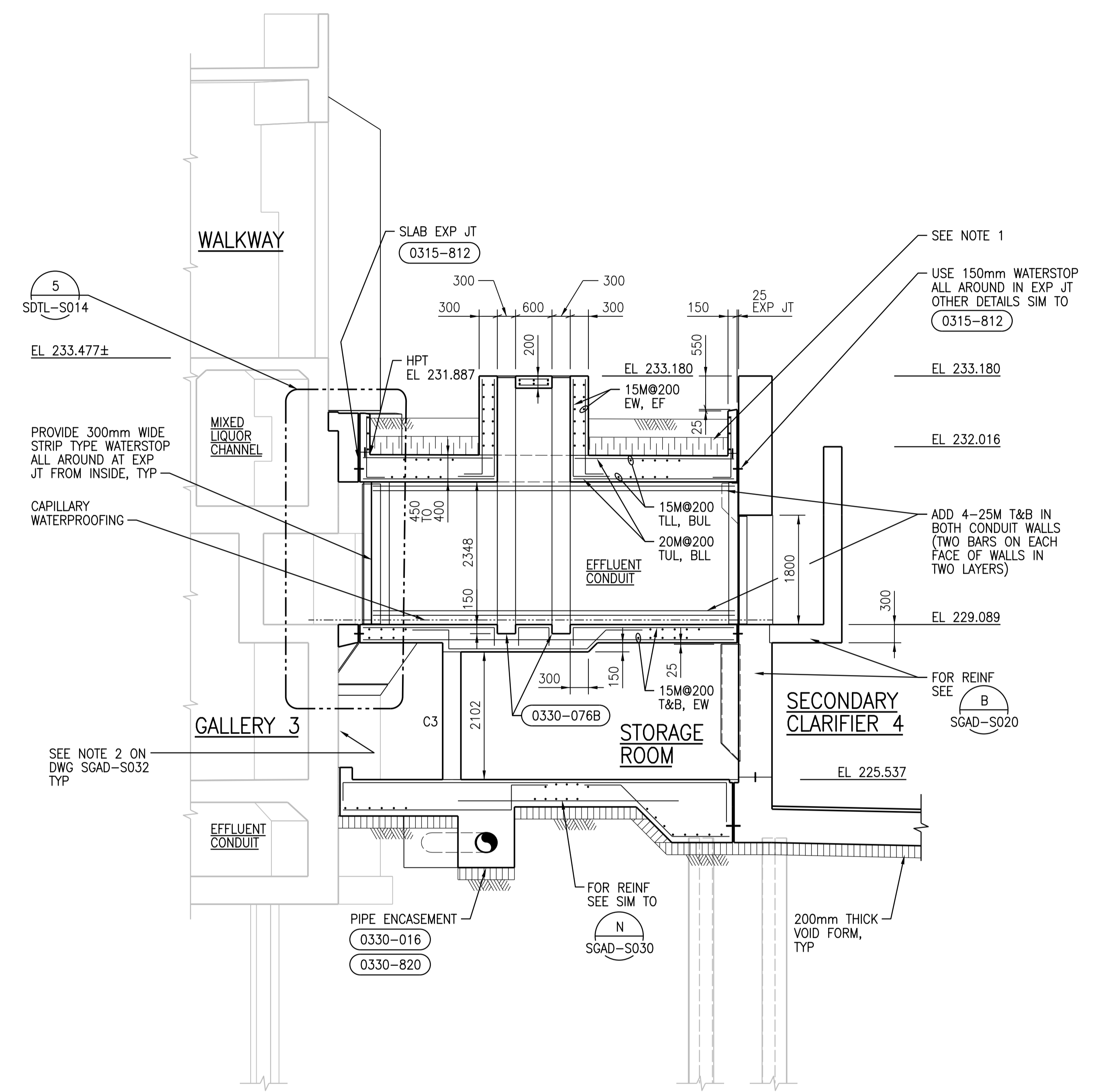


P SECTION
1:50

SGAD-S001, SGAD-S002, SGAD-S003,
SGAD-S006, SGAD-S007, SGAD-S008,
SGAD-S011, SGAD-S012, SGAD-S013

GENERAL NOTES:

- 300mm THICK GEOFOAM ON TOP OF SLAB WITH MAXIMUM 300mm EARTH COVER ON TOP OF GEOFOAM. TYPICAL OVER ENTIRE ROOF SLAB UNLESS NOTED OTHERWISE. PROVIDE 60 MIL PVC SHEET ON TOP OF GEOFOAM OVER ENTIRE FOOTPRINT. TAPE ALL SEAMS. EXTEND UP AND DOWN FROM WALL/SLAB/CURB INTERSECTIONS 1300mm ALL AROUND.
- WHERE THE EXCAVATION LINE IS LOCATED BELOW THE UNDERSIDE OF THE VOID FORM, FILL THE AREA WITH CLASS A BACKFILL COMPACTED TO 98% SPMD.



Q SECTION
1:50

SGAD-S001, SGAD-S005,
SGAD-S006, SGAD-S010,
SGAD-S011, SGAD-S015, SGAD-S018

SNC-LAVALIN DESIGNED BY: A. THAKKAR DRAWN BY: G. OMORI SCALE: 1:50 DATE: 2016/01/29		CHECKED BY: E. LUI APPROVED BY: H.T. FREIHAMMER ISSUED FOR CONSTRUCTION BY: T. TURZAK DATE: 2016/01/29		ENGINEER'S SEAL S.L.E. LUI Member 37003 REGISTERED PROFESSIONAL ENGINEER		SOUTH END WATER POLLUTION CONTROL CENTRE SEWPCC UPGRADING/EXPANSION PROJECT STRUCTURAL SECONDARY CLARIFIERS 4 AND 5 SECTIONS P AND Q	
00 ISSUED FOR TENDER - B.O. 899-2015 NO. REVISIONS		01/2016 DATE		G.O. J.C. DESIGN CHECK		CONSULTANT NO.: 474248	
PLOT DATE: 1/28/2016		FILE NAME: 1-0102-SGAD-S031.dgn		CITY DRAWING NUMBER: 1-0102-SGAD-S031		SHEET REV. SIZE: 001 00 A1	