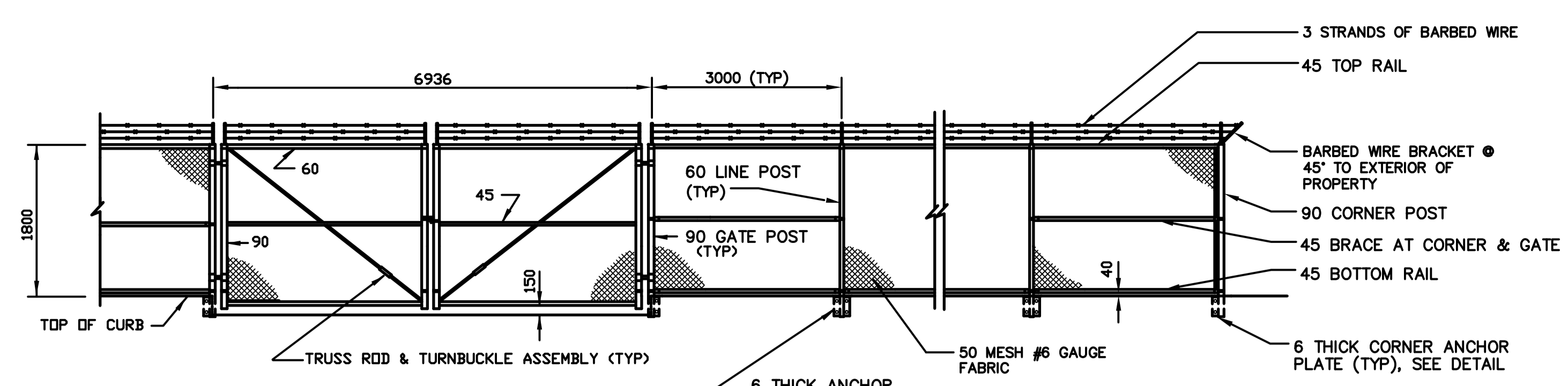
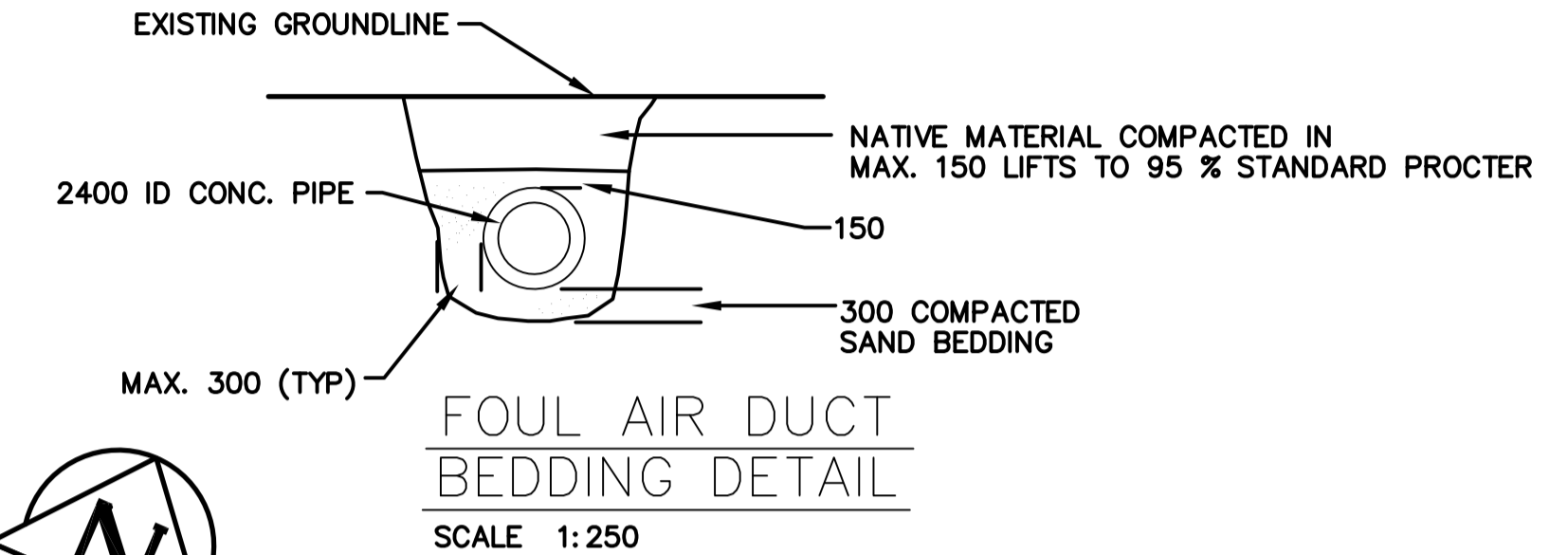


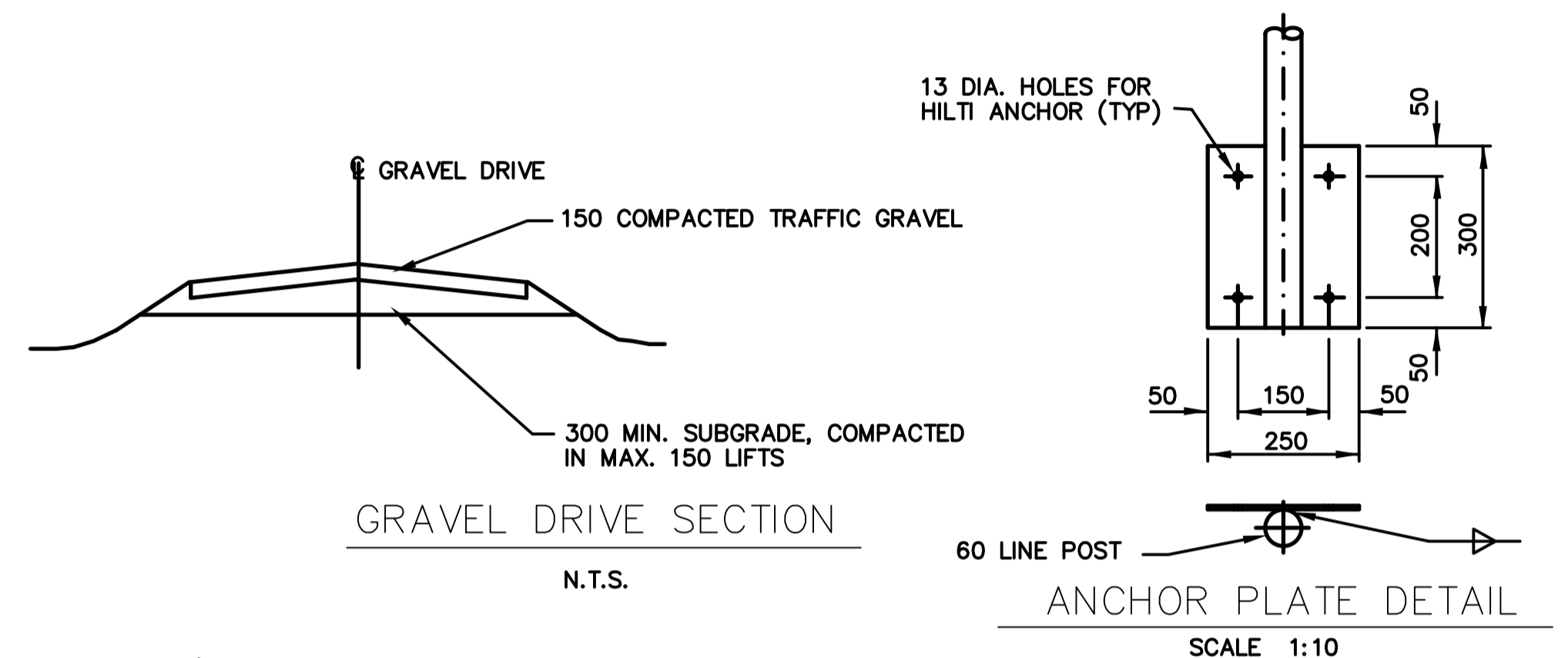
FOUL AIR DUCT PROFILE
HORIZ. SCALE 1:250 VERT. SCALE 1:250



FENCE DETAIL AT OXYGEN REACTORS
N.T.S.

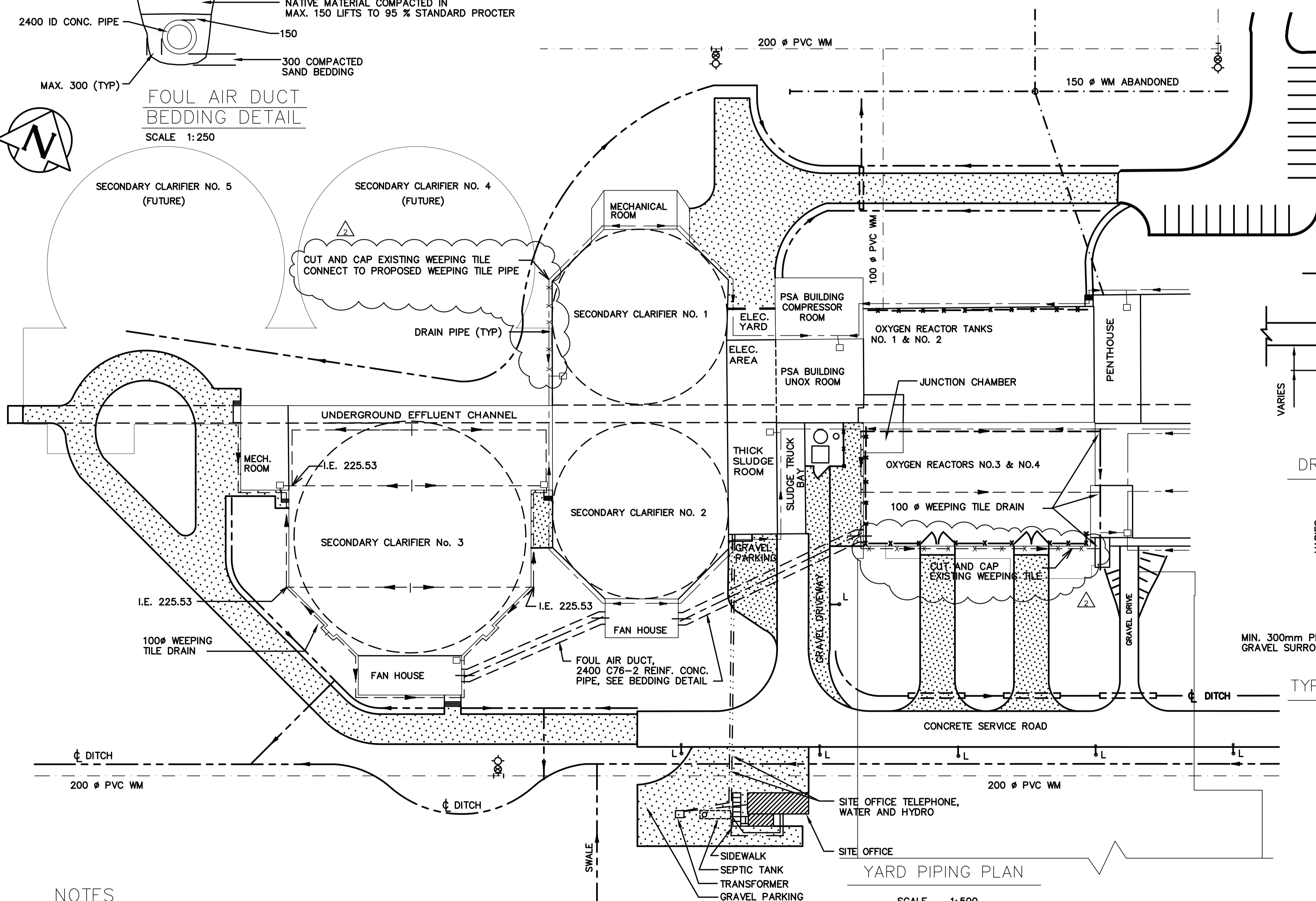


FOUL AIR DUCT BEDDING DETAIL
SCALE 1:250

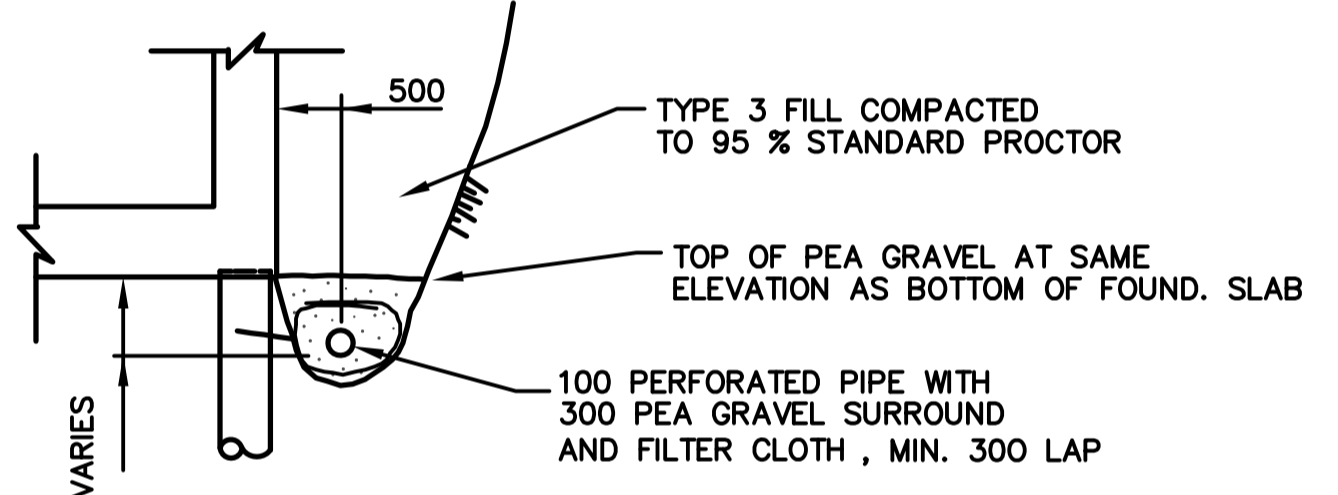


GRAVEL DRIVE SECTION
N.T.S.

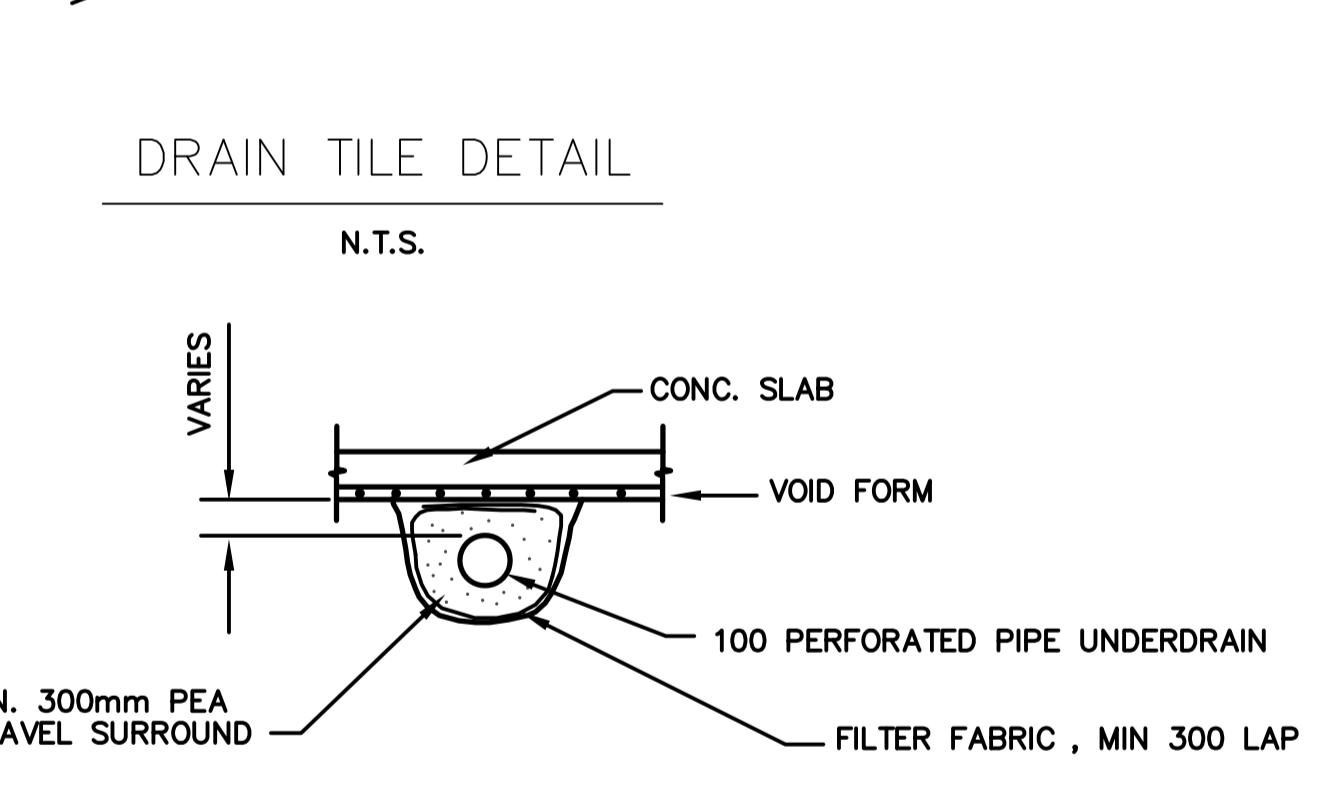
ANCHOR PLATE DETAIL
SCALE 1:10



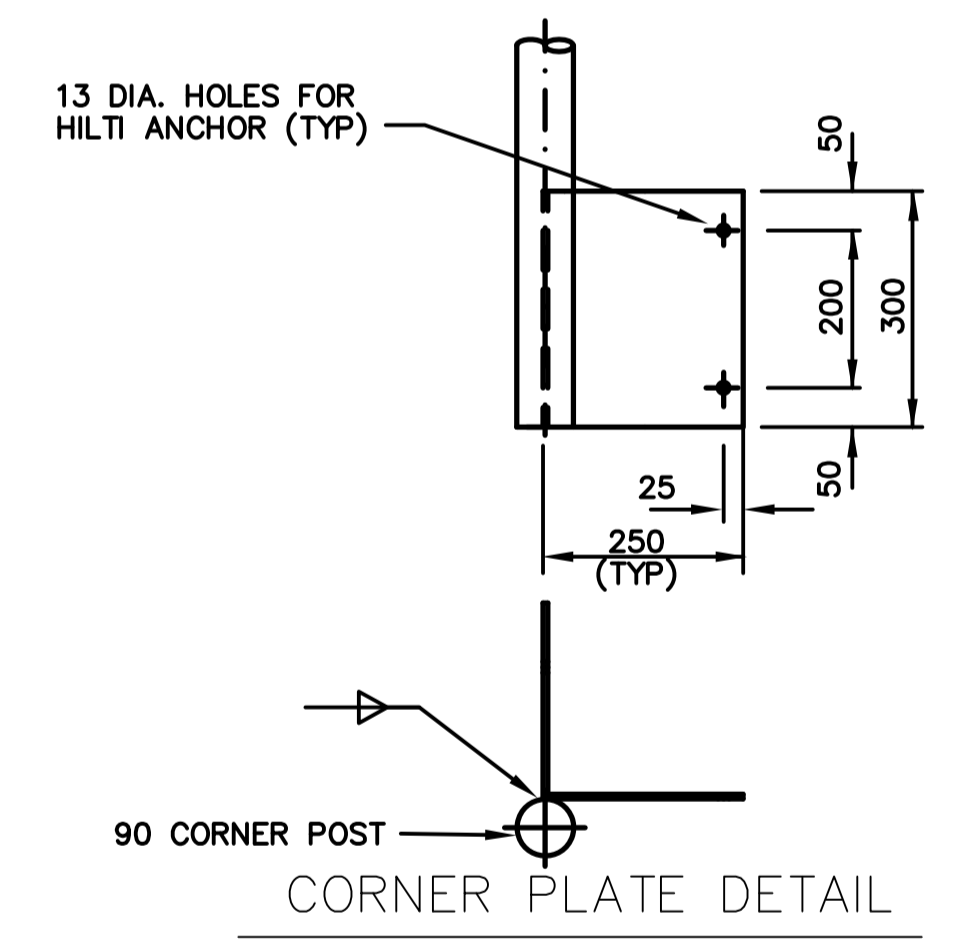
YARD PIPING PLAN
SCALE 1:500



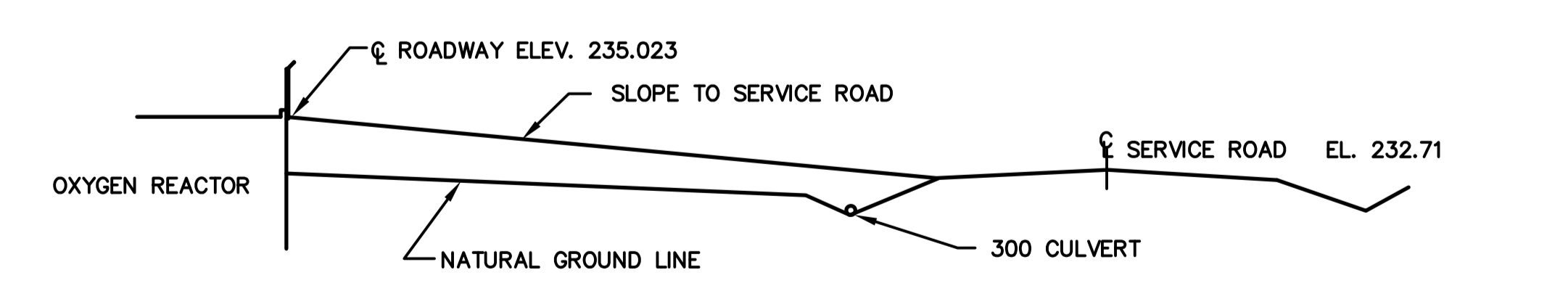
DRAIN TILE DETAIL
N.T.S.



TYPICAL UNDERDRAIN BEDDING DETAIL
N.T.S.



CORNER PLATE DETAIL
SCALE 1:10



GRAVEL DRIVE PROFILE
SCALE 1:250

BENCHMARK BRASS PLATE LOCATED IN GRADE BEAM OF THE ADMINISTRATION BUILDING. ELEVATION = 234.059

NOTES

1. REFERENCE MADE TO THE FOLLOWING SOILS REPORT FOR THE DETAILED BOREHOLE LOGS AND RESULTS OF THE SUBSURFACE INVESTIGATIONS.
 - A) DYREGROV & BURGESS, CONSULTING ENGINEERS. PROJECT No.88528 - APRIL 1988
 - B) RIPLEY, KLOHN & LEONOFF INT'L LTD. CONSULTING ENGINEERS.
 - REPORT No.1 JOB No. W-580, MARCH 8/71
 - REPORT No.2 JOB No. W-619, MARCH 24/71
 - REPORT No.3 JOB No. W-699, SEPT. 28/71

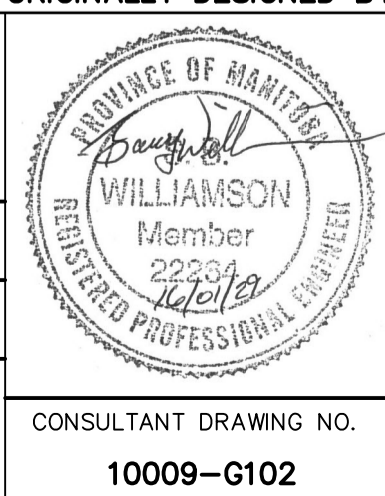
LEGEND

- WEeping TILE TO BE REMOVED
- WEeping TILE
- ⊥ LAMP POLE
- WATERMAIN
- ==== CULVERT

AS CONSTRUCTED
DATE SEPTEMBER 1993 BY P.R.B.
APPROVED BY _____

| | | | | | |
|---------------|---------------------------|-------|--------|----------------------------|-----------|
| B.M. ELEV. | | | | | |
| | | | | | |
| 3 | I.F.T. - B.O. 899-2015 | 16/01 | E.R.B. | DESIGNED BY | L.O.C. |
| 2 | 60% PRELIMINARY REVIEW | 15/12 | E.R.B. | CHECKED BY | |
| 1 | AS CONSTRUCTED | 93/09 | P.R.B. | DRAWN BY | K.T. /CAD |
| 0 | ISSUED FOR TENDER | 90/07 | | APPROVED BY | |
| | SUBMITTED FOR CITY REVIEW | 90/04 | | RELEASED FOR CONSTRUCTION: | |
| | ISSUED FOR J.V. REVIEW | | E.H. | | |
| NO. REVISIONS | DATE | BY | DATE | MARCH 1990 | DATE |

MaCLAREN ENGINEERS INC.
WARDROP ENGINEERING INC.
ENGINEERING CONSULTANTS
DESIGNED BY L.O.C. CHECKED BY
DRAWN BY K.T. /CAD APPROVED BY
HOR. SCALE: AS SHOWN
VERTICAL: AS SHOWN
RELEASED FOR CONSTRUCTION:
CONSULTANT DRAWING NO. 10009-G102



THE CITY OF WINNIPEG
WORKS AND OPERATIONS DIVISION
WATERWORKS, WASTE & DISPOSAL DEPARTMENT

SOUTH END WATER POLLUTION CONTROL CENTRE

SECONDARY TREATMENT PLANT EXPANSION

YARD PIPING PLAN & DETAILS

CITY DRAWING NUMBER
SHEET OF
SEP-334