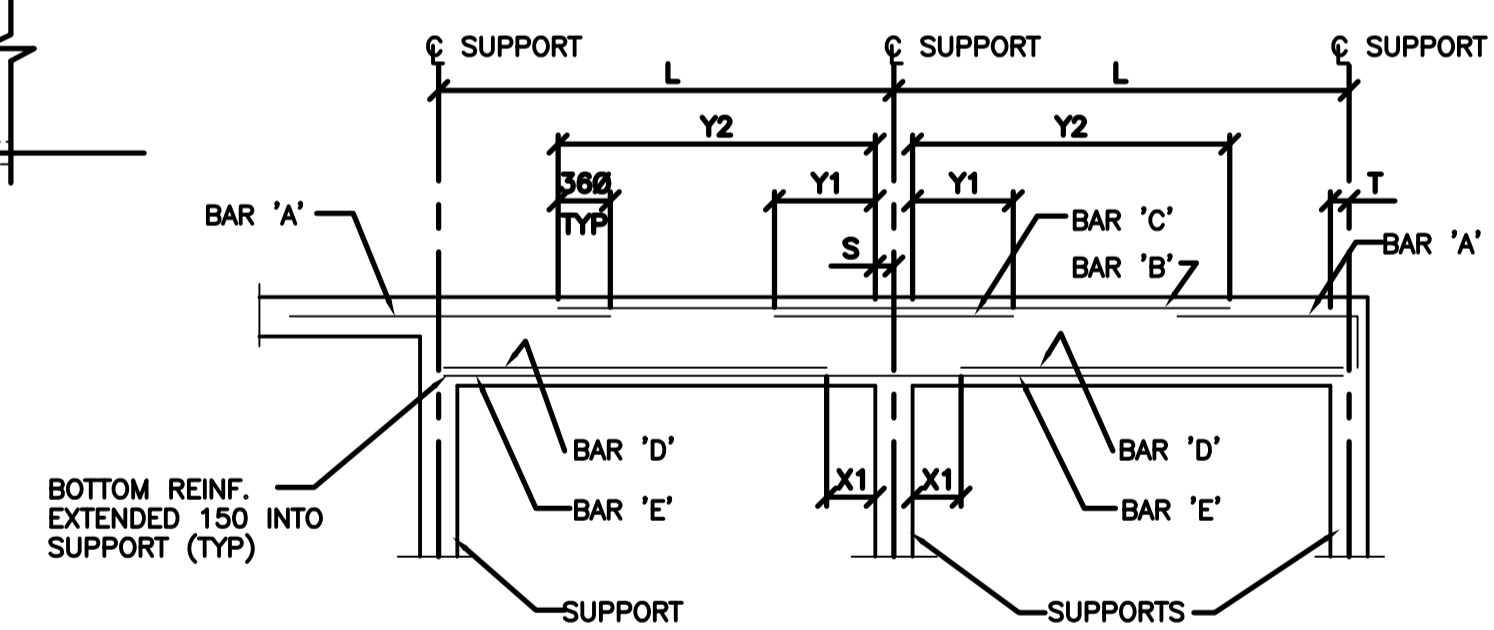


- ROOF SLAB REINFORCING**
- R/W 15M @ 300 O/C BOT. T.S. 15M @ 300 O/C TOP AND BOT.
 - R/W 20M @ 150 O/C BOT. T.S. 15M @ 300 O/C TOP AND BOT.
 - R/W 15M @ 300 O/C TOP & BOT. T.S. 15M @ 300 O/C TOP AND BOT. BOT. REINF. EXTENDED 150 INTO SUPPORT (TYP) REINF. BENT TO REFLECT SLOPES
 - R/W 20M @ 150 O/C BOT. 15M @ 150 O/C TOP. EXTEND EVERY SECOND TOP BAR TO LAP WITH ADJACENT TOP STEEL AS SHOWN. T.S. 15M @ 300 O/C TOP AND BOT. REINF. BENT TO REFLECT SLOPES
 - R/W 15M x 1200 LG. @ 300 O/C TOP CENTERED OVER SUPPORT
 - R/W 2-20M TOP & BOT. ALL AROUND OPENING

- NOTES:**
- FOR DETAILS AND LOCATIONS OF MECHANICAL PENETRATIONS THROUGH ROOF SLAB SEE DWG. R-M101.
 - FOR GENERAL NOTES SEE DWG. S101
 - PERIMETER CURBS NOT SHOWN FOR CLARITY.



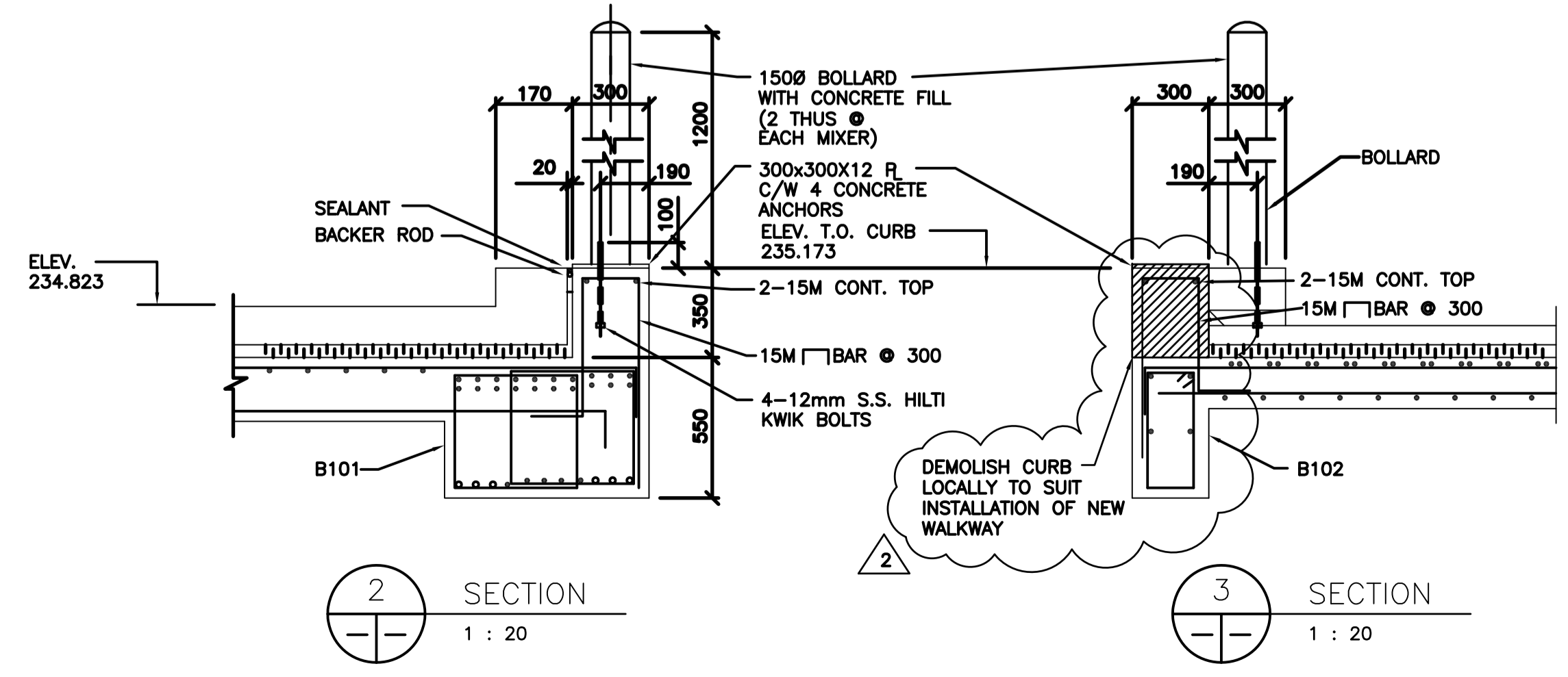
AS CONSTRUCTED
 DATE SEPTEMBER 1993 BY C.J.A.
 APPROVED BY _____

1
 ROOF PLAN ELEV. 234.823 U/N
 1:100
 ELEV. ALONG GRID LINES 21,19,18,17 AND 16 = 234.823
 ELEV. ALONG ROOF DRAIN LINES = 234.783 U/N
 ELEV. ALONG GRID LINE 22 = 233.477

BEAM	SIZE		L	S	T	TOP REINFORCING				BOTTOM REINFORCING			STIRRUPS	REMARKS	
	w	d				BAR 'A'	BAR 'B'	BAR 'C'	Y1	Y2	BAR 'B'	BAR 'B'			X1
B101	800	550	10570	150	150	4-25M	10-25M	10-25M	2500	8000	5-25M	6-25M	2100	10M @ 200 O.C. (2 SETS)	TOP REINF. IN 2 LAYERS BOTTOM REINF. IN 1 LAYER
B102	300	550	2630	400	400	2-15M	-	-	-	-	2-15M	-	10M @ 200 O.C.	HOOK TOP BARS INTO B101 EXTEND BOTTOM BARS 150 INTO B101	
B103	300	500	10570	150	150	2-30M	-	-	-	-	2-30M	-	10M @ 200 O.C.	TOP & BOTTOM REINF. IN 1 LAYER	
B104	300	600	10570	150	150	2-30M	-	-	-	-	2-30M	-	10M @ 200 O.C.	TOP & BOT. REINF. IN 1 LAYER DROP TOP REINF. TO CLEAR PVC WATERSTOP	

- NOTES:**
- TOP BARS SPLICED @ MID-SPAN, BOTTOM BARS @ SUPPORT
 - A CONTINUOUS BAR USED FOR BAR 'B' WHEN Y2 IS NOT GIVEN.

ORIGINALLY DESIGNED BY



B.M. ELEV.	DATE	BY	DATE	BY

MACLAREN ENGINEERS INC.
 WARDROP ENGINEERING INC.
 ENGINEERING CONSULTANTS

DESIGNED BY K.L. CHECKED BY _____
 DRAWN BY N.M./B.R. APPROVED BY _____
 HOR. SCALE: AS NOTED
 VERTICAL: AS NOTED
 RELEASED FOR CONSTRUCTION: _____
 DATE

CONSULTANT DRAWING NO. 870012-01-19-R-S103

PROVINCE OF MANITOBA
 S.L.E. LUJ
 Member 37003
 REGISTERED PROFESSIONAL ENGINEER

THE CITY OF WINNIPEG
 WORKS AND OPERATIONS DIVISION
 WATERWORKS, WASTE & DISPOSAL DEPARTMENT

SOUTH END WATER POLLUTION CONTROL CENTRE
 OXYGEN REACTOR EXPANSION-STRUCTURAL
 ROOF PLAN ELEV. 234.823

CITY DRAWING NUMBER
 SHEET OF
 SEP-339