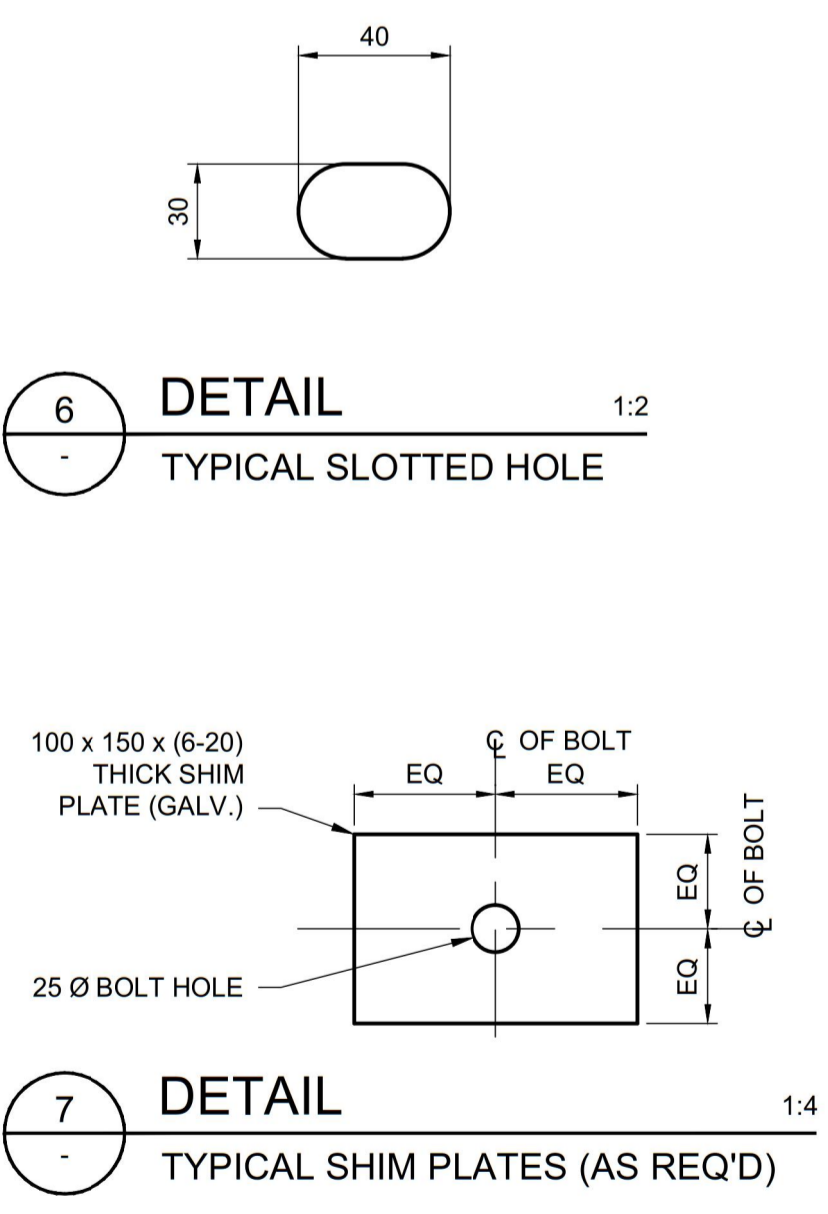
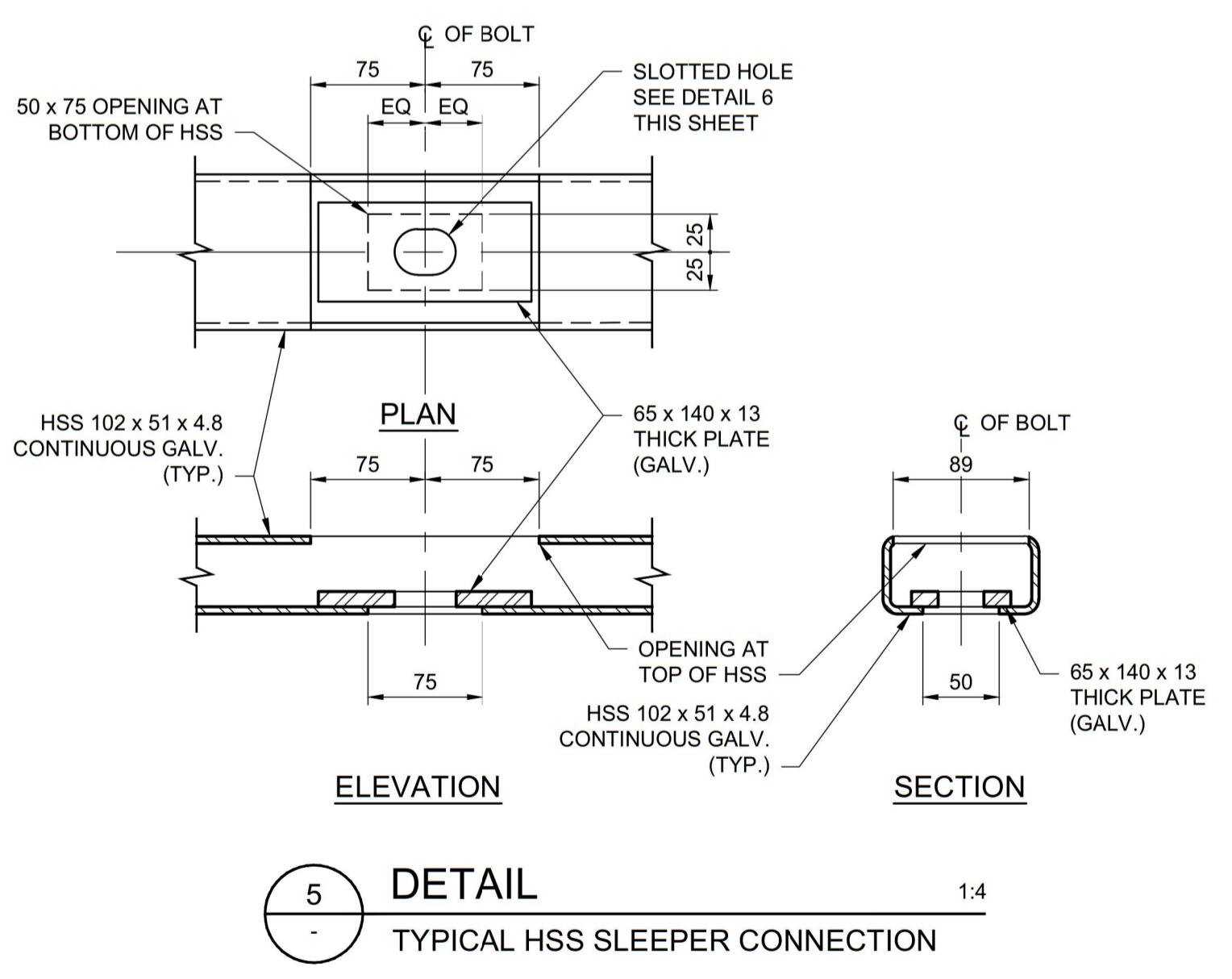
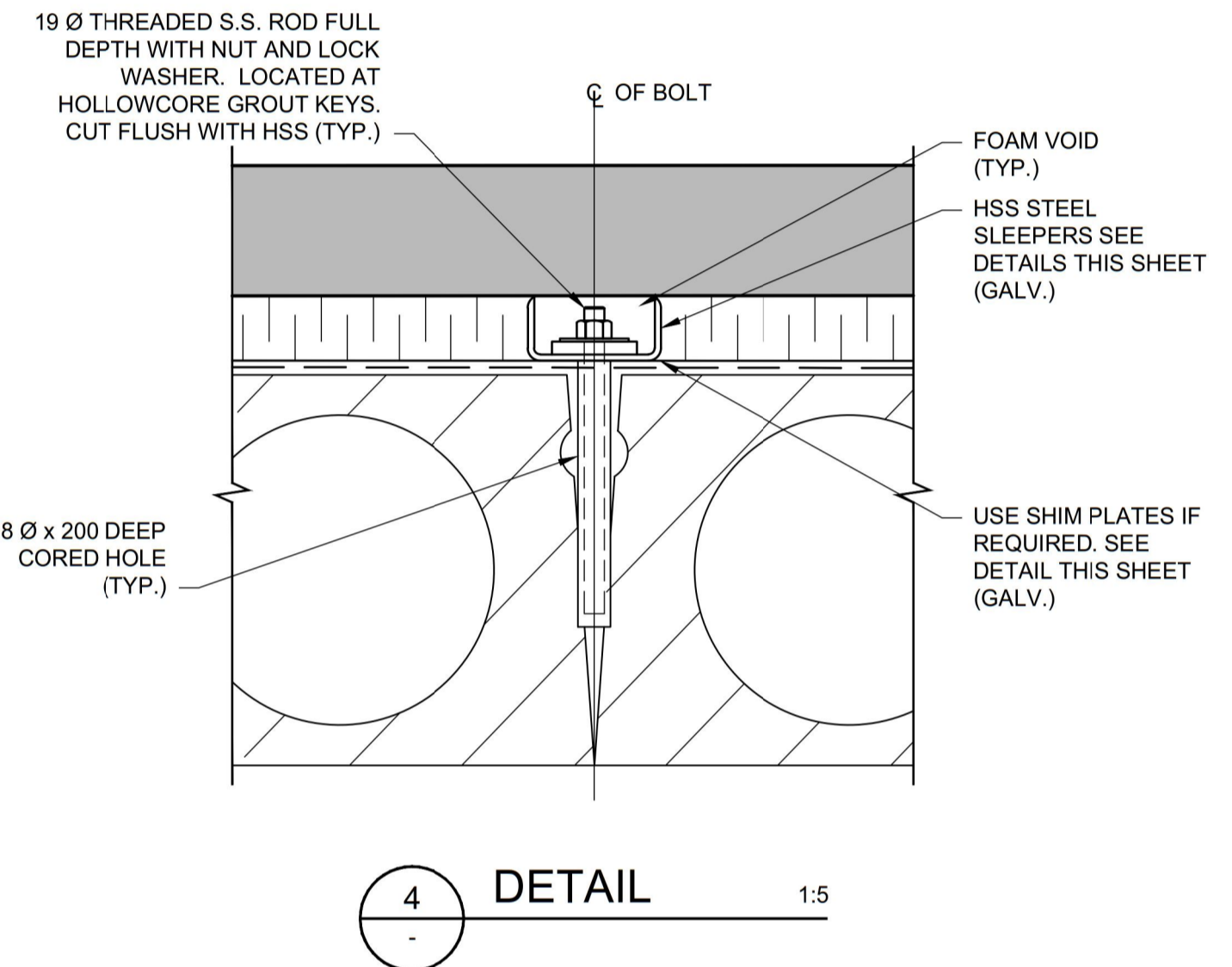
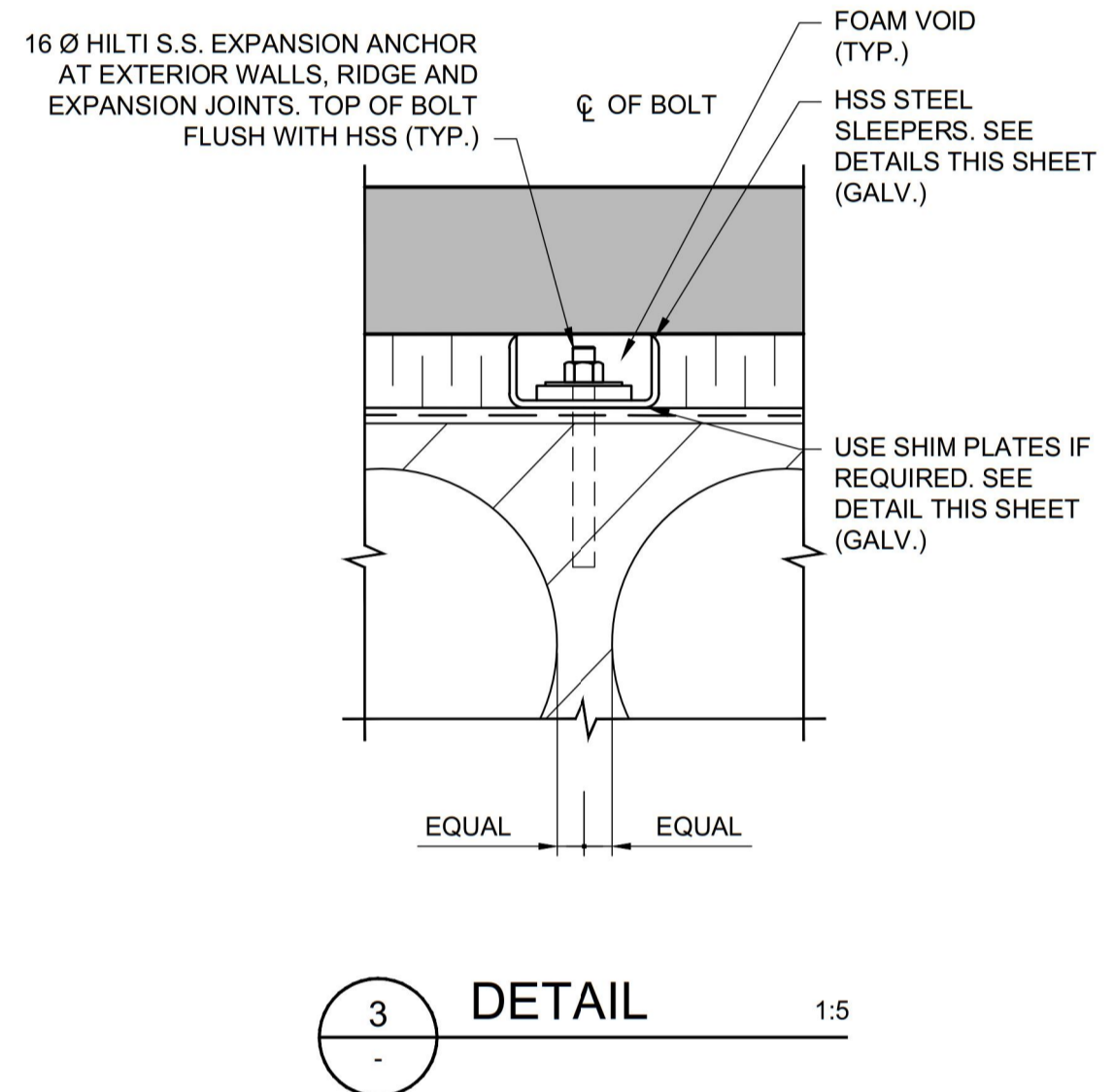
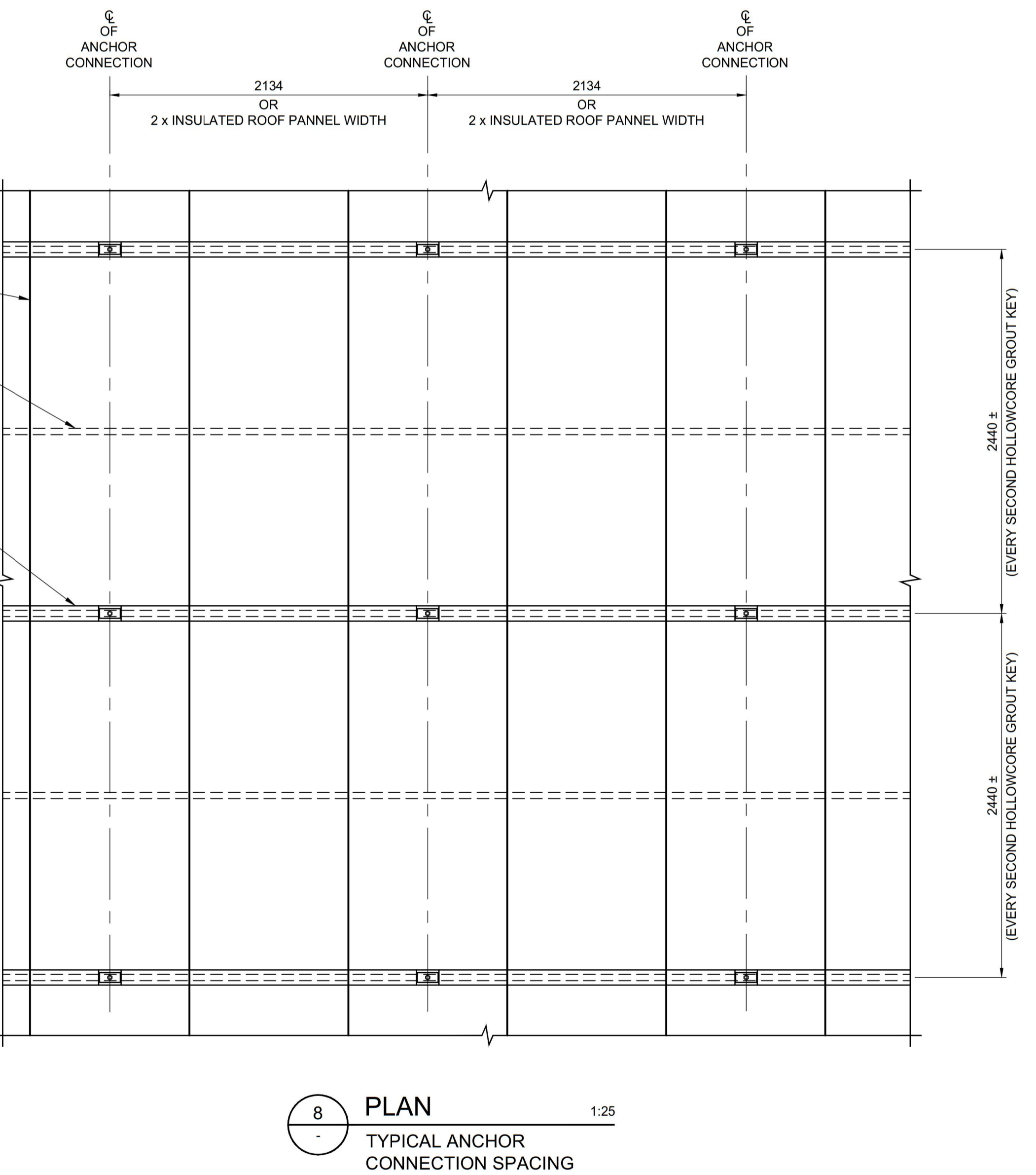


- NOTE:
1. SURVEY ACCESS POINTS SHALL BE LOCATED AT OR NEAR EACH COLUMN LOCATION.
 2. ALL SURVEY ACCESS CONDUITS SHALL BE WATERTIGHT AND THE TOP SHALL BE REMOVABLE TO ALLOW ACCESS TO SURVEY THE TOP OF THE ROOF STRUCTURE.
 3. SURVEY ACCESS POINTS SHALL NOT BE LOCATED AT A PANEL SEAM OR AT THE PANEL SUPPORTS.
 4. ALL ROOF PANEL SEAMS SHALL BE CONTINUOUS.
 5. CONTRACTOR SHALL NOT DAMAGE THE EPDM BONDED MEMBRANE WHEN INSTALLING THE SURVEY ACCESS POINTS.



- NOTES:
1. ANCHOR CONNECTIONS FOR STEEL SLEEPERS SHALL BE SPACED AT A MAXIMUM DISTANCE OF 2134 mm OR TWO TIMES THE ROOF PANEL WIDTH WHICH EVER IS LESS.
 2. MAXIMUM SLEEPER LENGTH SHALL BE 6000 mm AND SHALL TERMINATE AT AN ANCHOR CONNECTION LOCATION. ALLOW A 3 mm GAP AT THE ENDS OF ADJACENT SLEEPERS.



METRIC
WHOLE NUMBERS INDICATE MILLIMETRES
DECIMALIZED NUMBERS INDICATE METRES

APEGM
Certificate of Authorization
Dillon Consulting Limited (MB)
No. 1789 Date: 2015-11-20

LOCATION APPROVED UNDERGROUND STRUCTURES		B.M. ELEV.	CHECKED BY	FAK
N/A		CONSTRUCTION COMPLETION DATE:	APPROVED BY	SSR
SUPV. U/G STRUCTURES COMMITTEE			DESIGNED BY	NC
DATE			DRAWN BY	TLK
NOTE: LOCATION OF UNDERGROUND STRUCTURES AS SHOWN ARE BASED ON THE BEST INFORMATION AVAILABLE BUT NO GUARANTEE IS GIVEN THAT ALL EXISTING UTILITIES ARE SHOWN OR THAT THE GIVEN LOCATIONS ARE EXACT. CONFIRMATION OF EXISTENCE AND EXACT LOCATION OF ALL SERVICES MUST BE OBTAINED FROM THE INDIVIDUAL UTILITIES BEFORE PROCEEDING WITH CONSTRUCTION.			SCALE:	
2	ISSUED FOR ADDENDUM No.2	2015 12 10	SSR	HORIZONTAL AS NOTED
1	ISSUED FOR TENDER	2015 11 20	SSR	VERTICAL
NO.	REVISIONS	DATE	BY	DATE
				2015 11 20

RELEASED FOR CONSTRUCTION	CONSULTANT DRAWING NUMBER	SHEET OF	CITY DRAWING NUMBER
	14-1411-B-107	44 OF 47	1-0650R-B0005-003
DATE	2015 11 20		

THE CITY OF WINNIPEG
WATER AND WASTE DEPARTMENT
ENGINEERING DIVISION

Winnipeg

WILKES RESERVOIR NORTH CELL REHABILITATION
ROOF AND WALL ENVELOPE
SECTIONS AND DETAILS
SHEET 3 OF 3