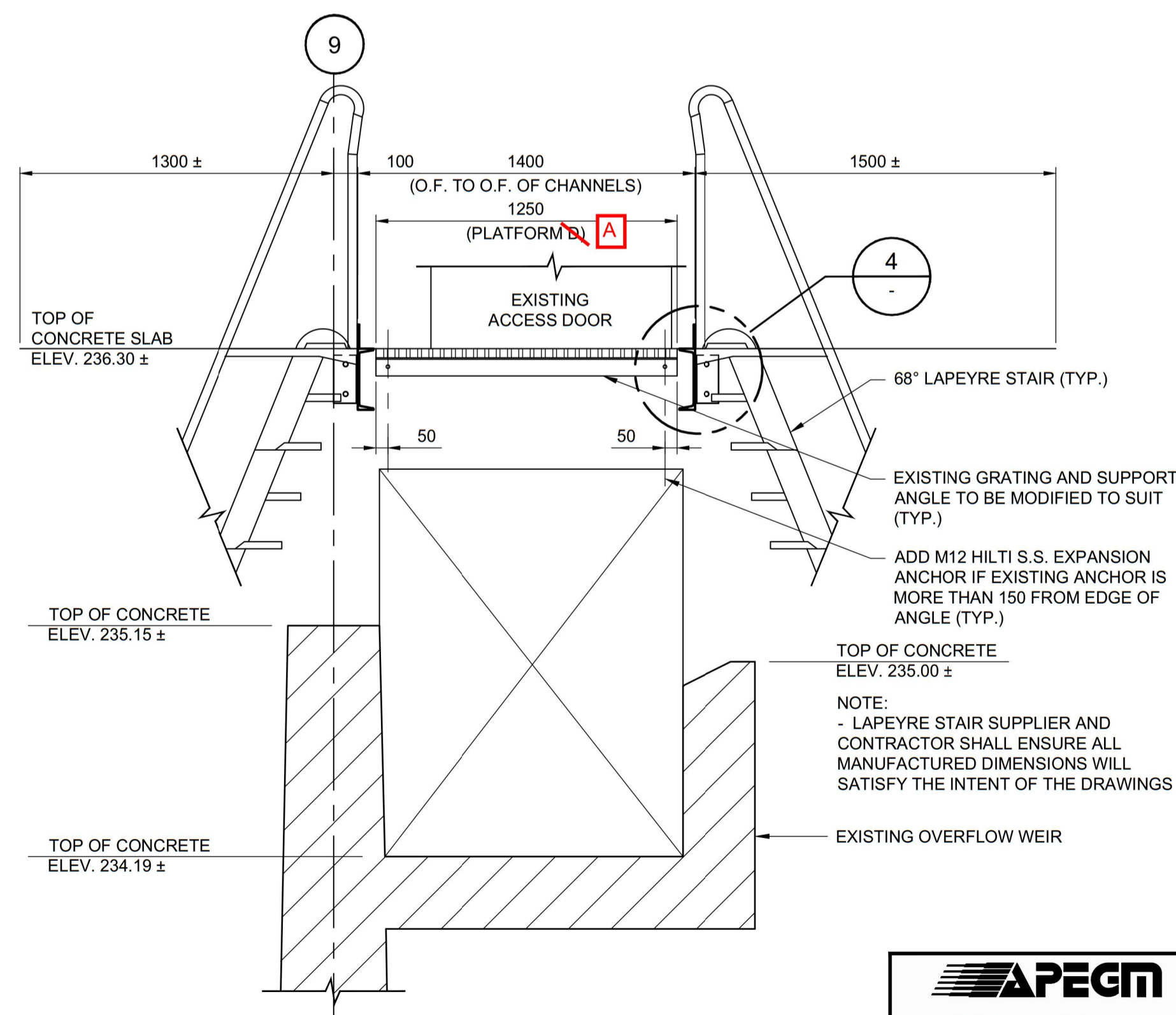


**1 PLAN**  
AT BUILDING FLOOR  
SLAB ELEV. 236.30 ±

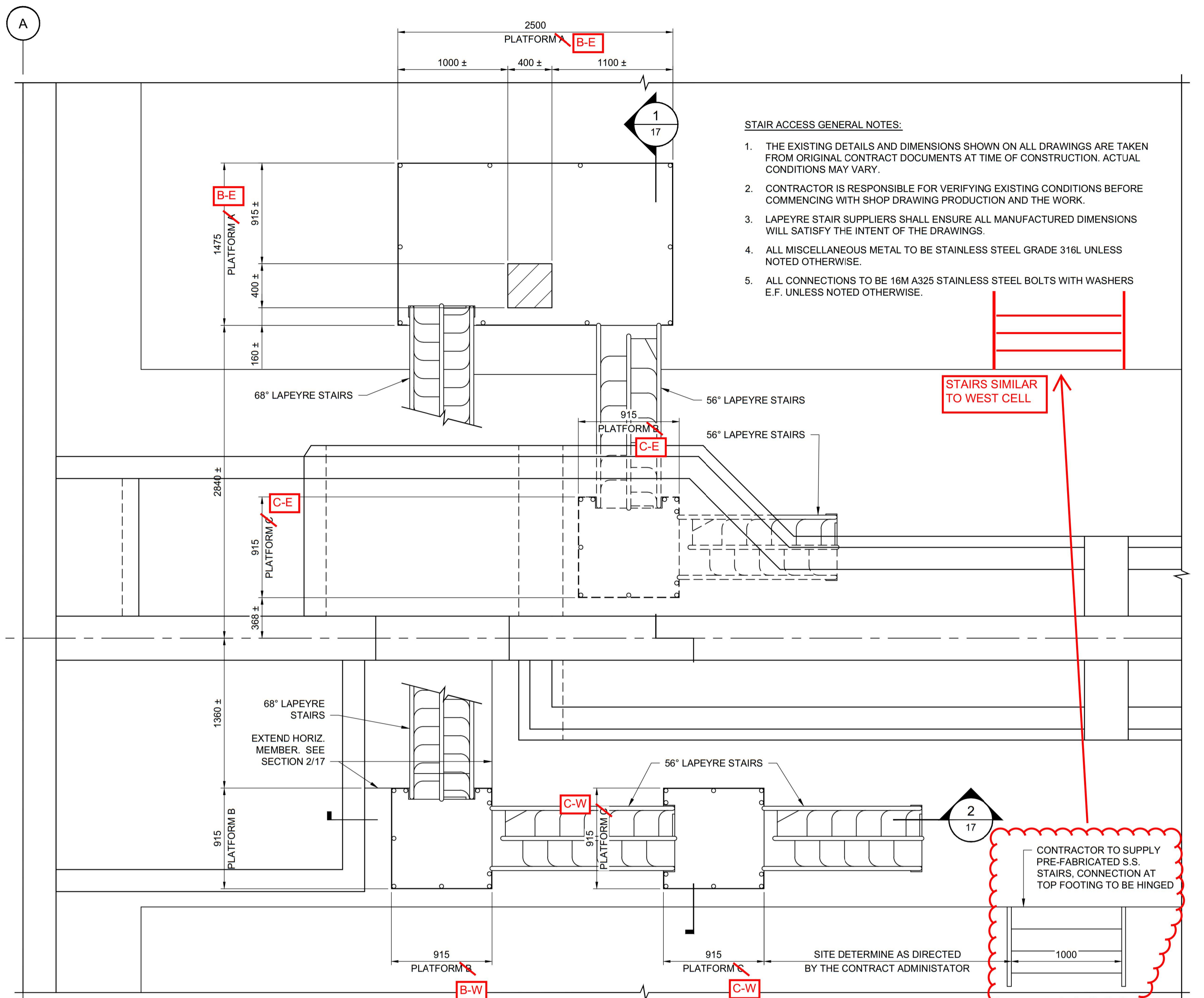


**3 SECTION**

METRIC  
WHOLE NUMBERS INDICATE MILLIMETRES  
DECIMALIZED NUMBERS INDICATE METRES

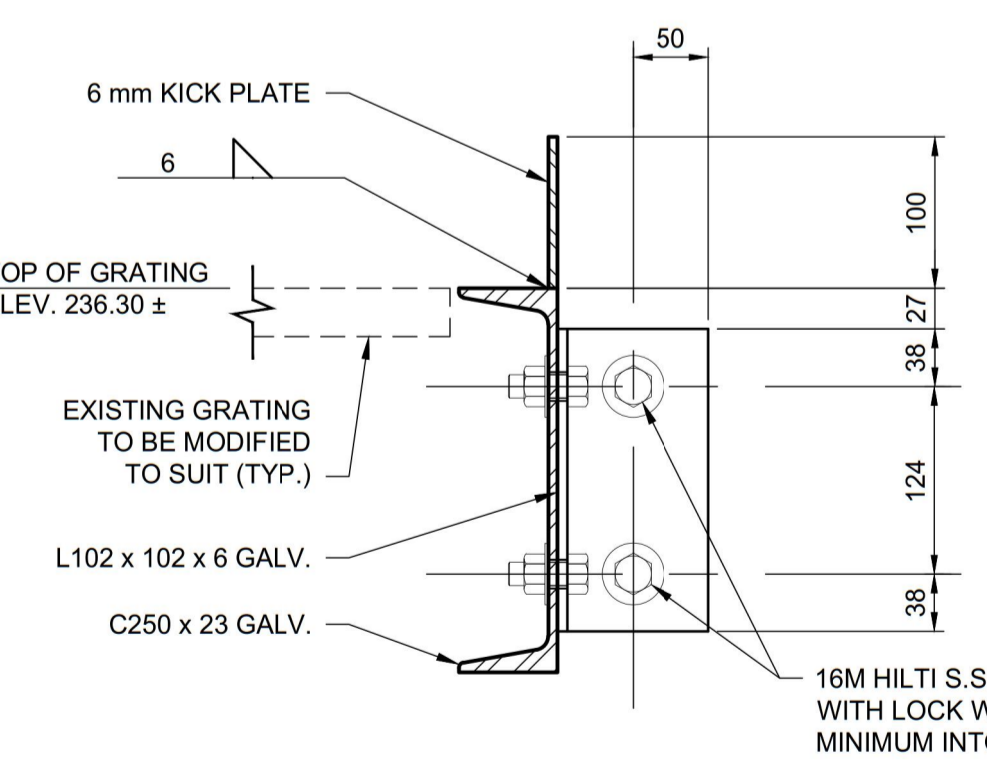
**APEGM**  
Certificate of Authorization  
Dillon Consulting Limited (MB)  
No. 1789 Date: 2015-11-20

68° LAPEYRE STAIRS  
NEW SAFETY RAILING AND KICK PLATE, SEE DETAIL THIS SHEET (TYP. AT EACH CORNER)  
EXISTING GRATING AND SUPPORT ANGLE TO BE MODIFIED TO SUIT (TYP.)  
68° LAPEYRE STAIRS

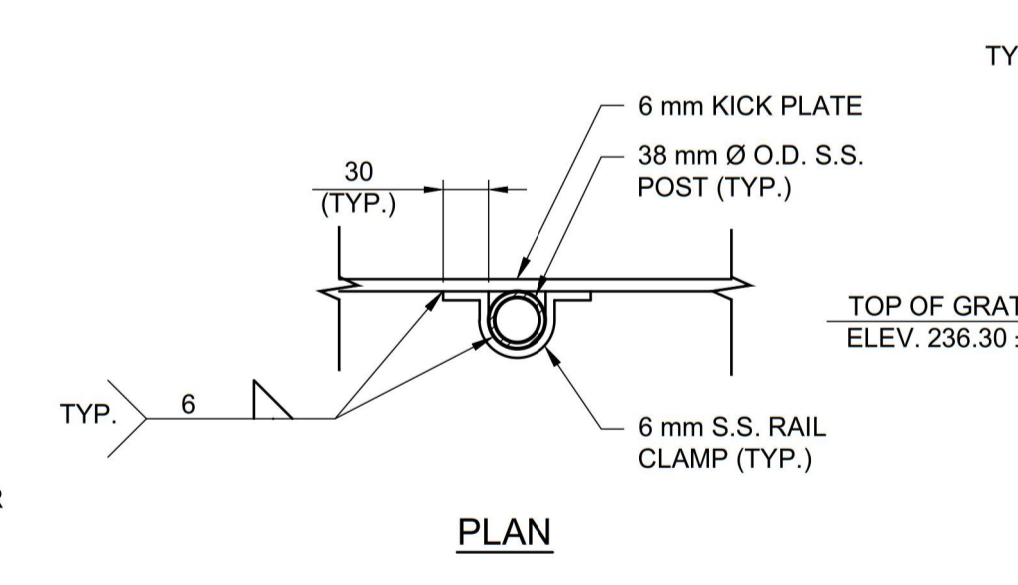


**2 PLAN**  
AT WEIR SLAB ELEV.  
234.19 ±

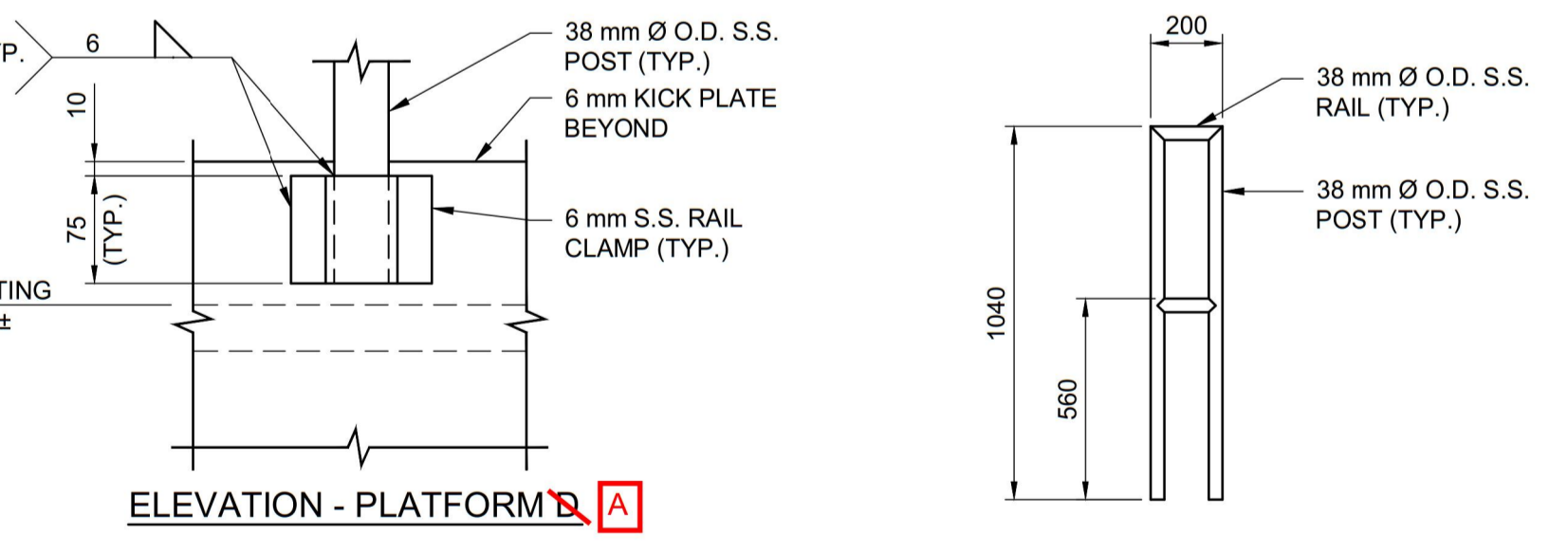
- STAIR ACCESS GENERAL NOTES:**
1. THE EXISTING DETAILS AND DIMENSIONS SHOWN ON ALL DRAWINGS ARE TAKEN FROM ORIGINAL CONTRACT DOCUMENTS AT TIME OF CONSTRUCTION. ACTUAL CONDITIONS MAY VARY.
  2. CONTRACTOR IS RESPONSIBLE FOR VERIFYING EXISTING CONDITIONS BEFORE COMMENCING WITH SHOP DRAWING PRODUCTION AND THE WORK.
  3. LAPEYRE STAIR SUPPLIERS SHALL ENSURE ALL MANUFACTURED DIMENSIONS WILL SATISFY THE INTENT OF THE DRAWINGS.
  4. ALL MISCELLANEOUS METAL TO BE STAINLESS STEEL GRADE 316L UNLESS NOTED OTHERWISE.
  5. ALL CONNECTIONS TO BE 16M A325 STAINLESS STEEL BOLTS WITH WASHERS E.F. UNLESS NOTED OTHERWISE.



**4 DETAIL**



**5 DETAIL**  
TYPICAL RAIL CONNECTION



**6 ELEVATION**  
TYPICAL RAILING AT PLATFORM

LOCATION APPROVED UNDERGROUND STRUCTURES  
N/A  
SUPV. U/G STRUCTURES COMMITTEE  
DATE  
NOTE:  
LOCATION OF UNDERGROUND STRUCTURES AS SHOWN ARE BASED ON THE BEST INFORMATION AVAILABLE BUT NO GUARANTEE IS GIVEN THAT ALL EXISTING UTILITIES ARE SHOWN OR THAT THE GIVEN LOCATIONS ARE EXACT. CONFIRMATION OF EXISTENCE AND EXACT LOCATION OF ALL SERVICES MUST BE OBTAINED FROM THE INDIVIDUAL UTILITIES BEFORE PROCEEDING WITH CONSTRUCTION.

B.M. ELEV.		CHECKED BY	DRA
CONSTRUCTION COMPLETION DATE:		APPROVED BY	SSR
		DESIGNED BY	FAK
		DRAWN BY	TLK
		SCALE:	
		HORIZONTAL	AS NOTED
		VERTICAL	
NO.	REVISIONS	DATE	BY
2	ISSUED FOR ADDENDUM No.2	2015 11 20	SSR
1	ISSUED FOR TENDER	2015 11 20	SSR

**DILLON CONSULTING**

RELEASED FOR CONSTRUCTION

CONSULTANT DRAWING NUMBER  
14-1411-S-108

DATE  
2015 11 20

**THE CITY OF WINNIPEG**  
WATER AND WASTE DEPARTMENT  
ENGINEERING DIVISION

**WILKES RESERVOIR NORTH CELL REHABILITATION**  
OVERALL STAIR ACCESS PLANS  
STAIR ACCESS GENERAL NOTES

SHEET 16 OF 47  
CITY DRAWING NUMBER 1-0650R-S0008-001