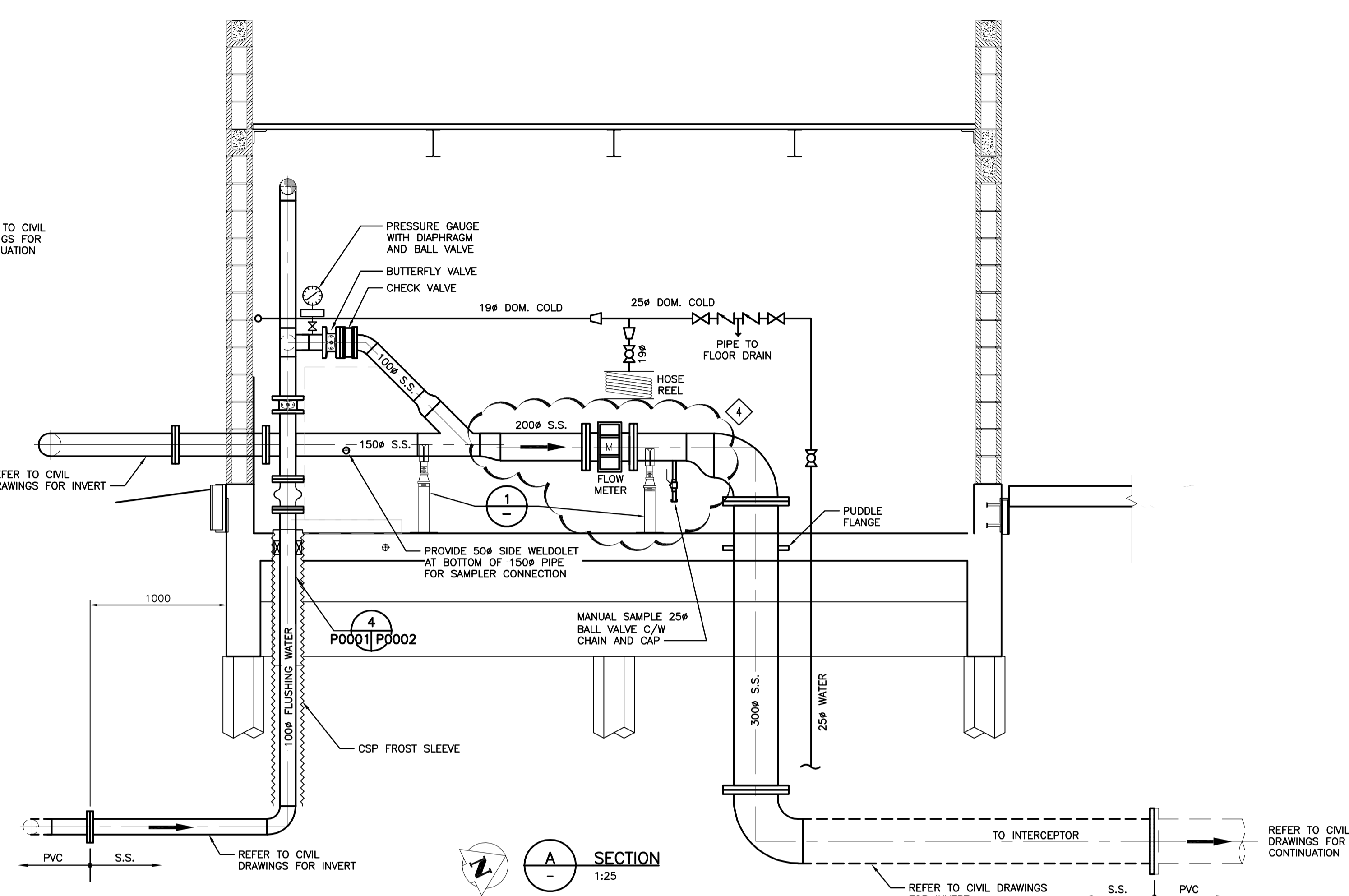
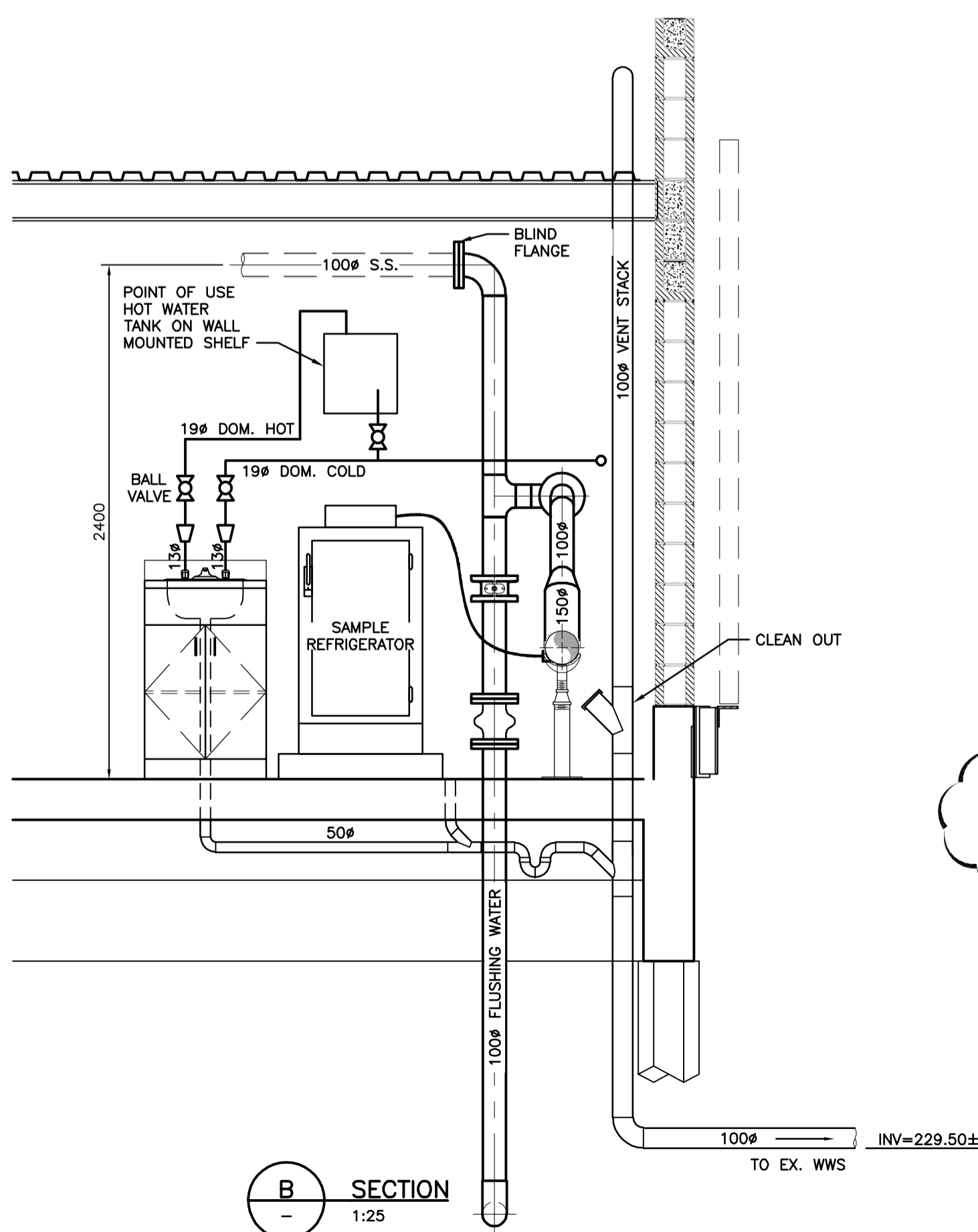


1 PLAN  
1:25

LEGEND:  
 DOUBLE BACKFLOW PREVENTER

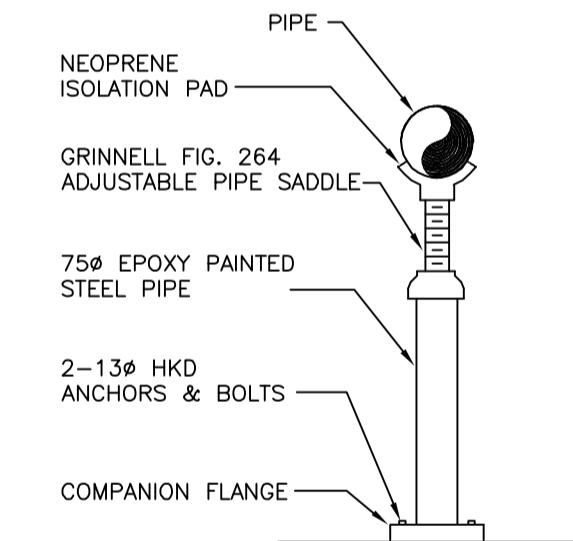


A SECTION  
1:25



B SECTION  
1:25

NOTES:  
 1. FLOW METER TO BE INSTALLED WITH MINIMUM 4 UNINTERRUPTED PIPE DIAMETERS UPSTREAM AND 2 DOWNSTREAM  
 2. PROVIDE S.S. SPOOL PIECE FOR FLOW METER



NOTES:  
 1. HANGER AND SADDLE MATERIALS MATCHED TO PIPE MATERIALS. USED STAINLESS STEEL FOR PVC PIPE.  
 2. HANGER DIMENSIONS SUITED TO INSULATED PIPE SIZES TO ALLOW FREE MOVEMENT WITHOUT BINDING.  
 3. PROVIDED INSULATION BETWEEN PIPE AND HANGER FOR DISSIMILAR MATERIALS.

1 TYPICAL PIPE SUPPORT DETAIL  
N.T.S.

**WARNING**

IF POWER EQUIPMENT OR EXPLOSIVES ARE TO BE USED FOR EXCAVATION ON THIS PROJECT THE CONTRACTOR MUST:  
 1) NOTIFY THE GAS COMPANY OF THE PROPOSED LOCATION OF EXCAVATION.  
 2) TAKE PRECAUTION TO AVOID DAMAGE TO GAS COMPANY INSTALLATIONS.  
 SEE PROVINCIAL REGULATION 140/92 FOR DETAILS

**METRIC**

WHOLE NUMBERS INDICATE MILLIMETRES  
 DECIMALIZED NUMBERS INDICATE METRES

LOCATION APPROVED UNDERGROUND STRUCTURES		B.M. ELEV.
SUPV. U/G STRUCTURES	DATE	
COMMITTEE		
NOTE: LOCATION OF UNDERGROUND STRUCTURES AS SHOWN ARE BASED ON THE BEST INFORMATION AVAILABLE BUT NO GUARANTEE IS GIVEN THAT ALL EXISTING UTILITIES ARE SHOWN OR THAT THE GIVEN LOCATIONS ARE EXACT. CONFIRMATION OF EXISTENCE AND EXACT LOCATION OF ALL SERVICES MUST BE OBTAINED FROM THE INDIVIDUAL UTILITIES BEFORE PROCEEDING WITH CONSTRUCTION.		
NO.	REVISIONS	DATE BY

NO.	REVISIONS	DATE	BY
4	ISSUED FOR ADDENDUM #4	16.04.06	S.K.B.
3	ISSUED FOR TENDER	16.03.09	S.K.B.
2	ISSUED FOR TENDER REVIEW	16.03.07	S.K.B.
1	ISSUED FOR 95% REVIEW	16.01.29	S.K.B.

**Stantec**  
 500-311 Portage Ave, Winnipeg MB Canada  
 www.stantec.com

DESIGNED BY	R.G.	CHECKED BY	S.A.B.
DRAWN BY	K.R.	APPROVED BY	S.K.B.
HOR. SCALE:	AS NOTED	RELEASED FOR CONSTRUCTION:	
VERTICAL:		DATE	
DATE	2016.01.05		

ENGINEER'S SEAL  
**ORIGINAL SEALED BY**  
**R.J. GILLIS**  
**P. ENG.**  
**16/03/09**

**THE CITY OF WINNIPEG**  
 WATER AND WASTE DEPARTMENT

**Winnipeg**

**NORTH END SEWAGE TREATMENT PLANT (NEWPCC)**  
 HAULED LIQUID WASTE FACILITY PHASE II UPGRADE

**LEACHATE SAMPLING BUILDING**  
**PROCESS FLOOR PLAN**

TENDER NO. **952-2015**

CITY DRAWING NUMBER **I-OIOIX-P0001-001**

SHEET **7** OF **8**

