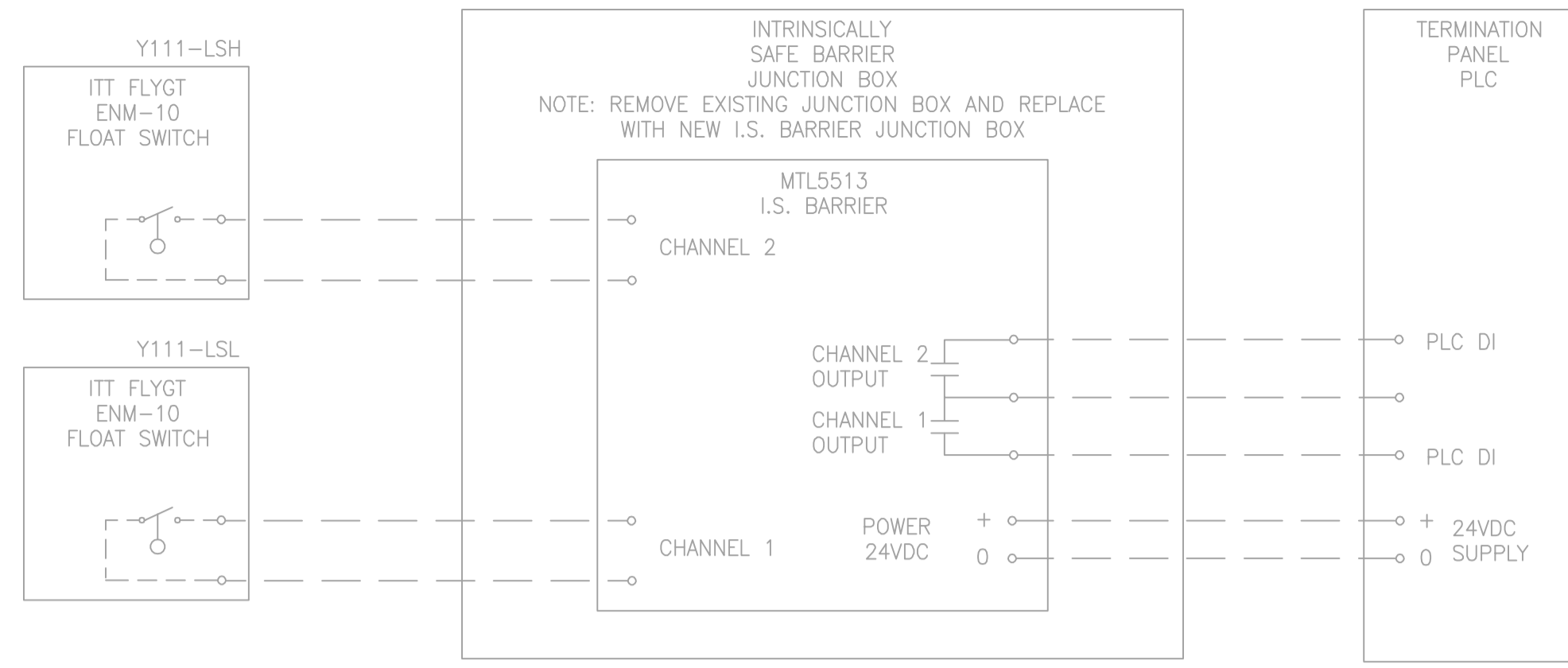
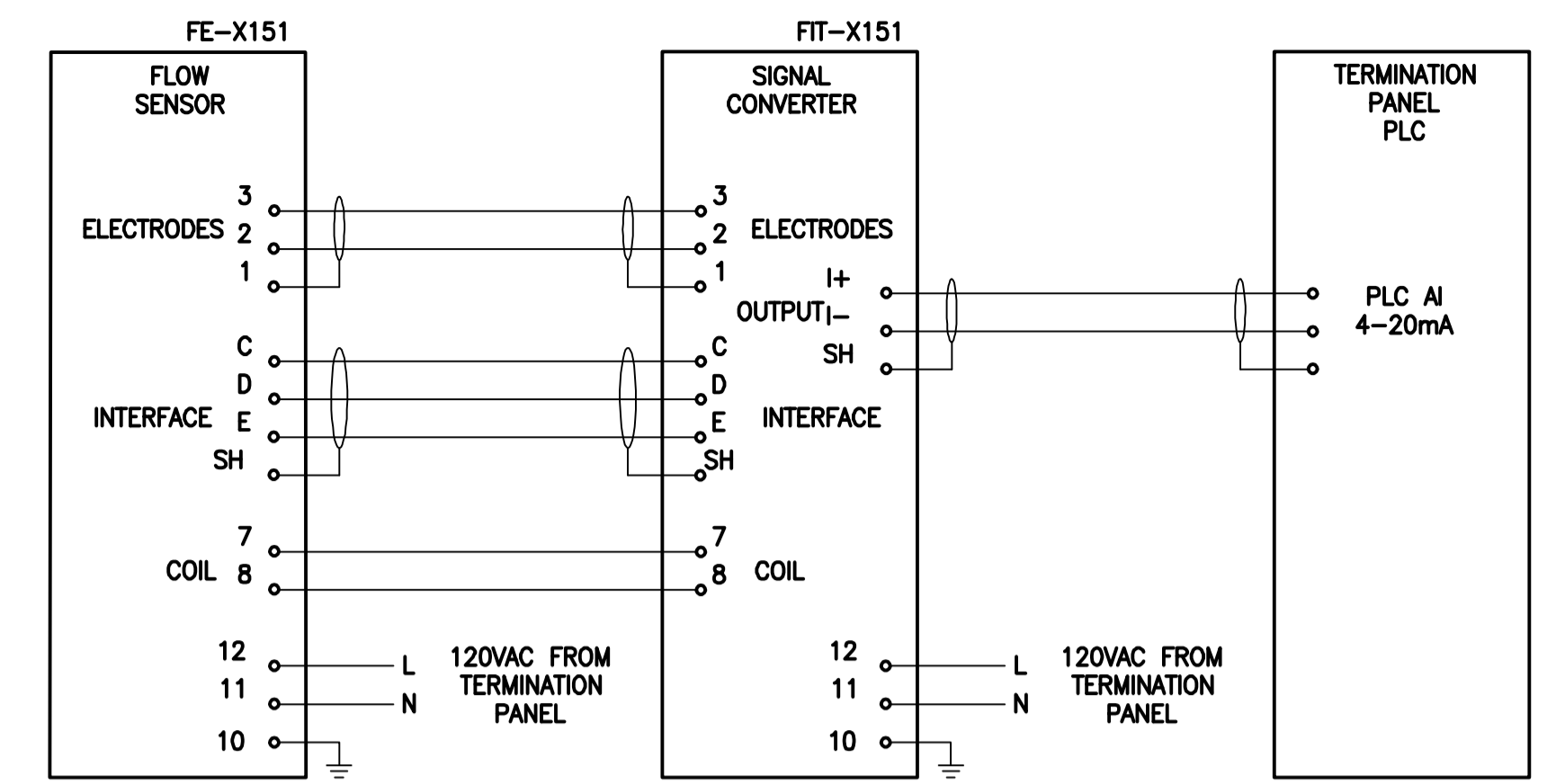


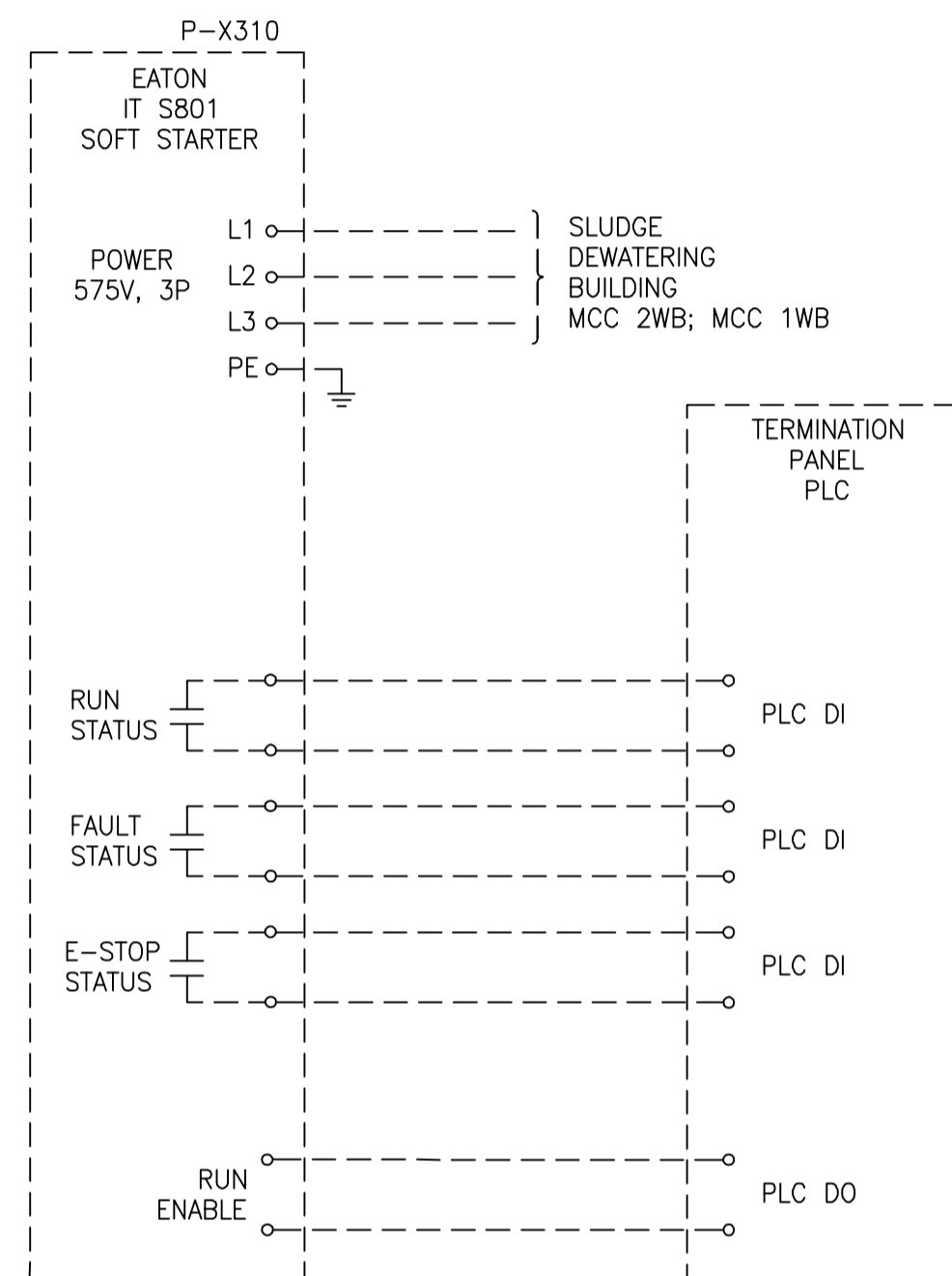
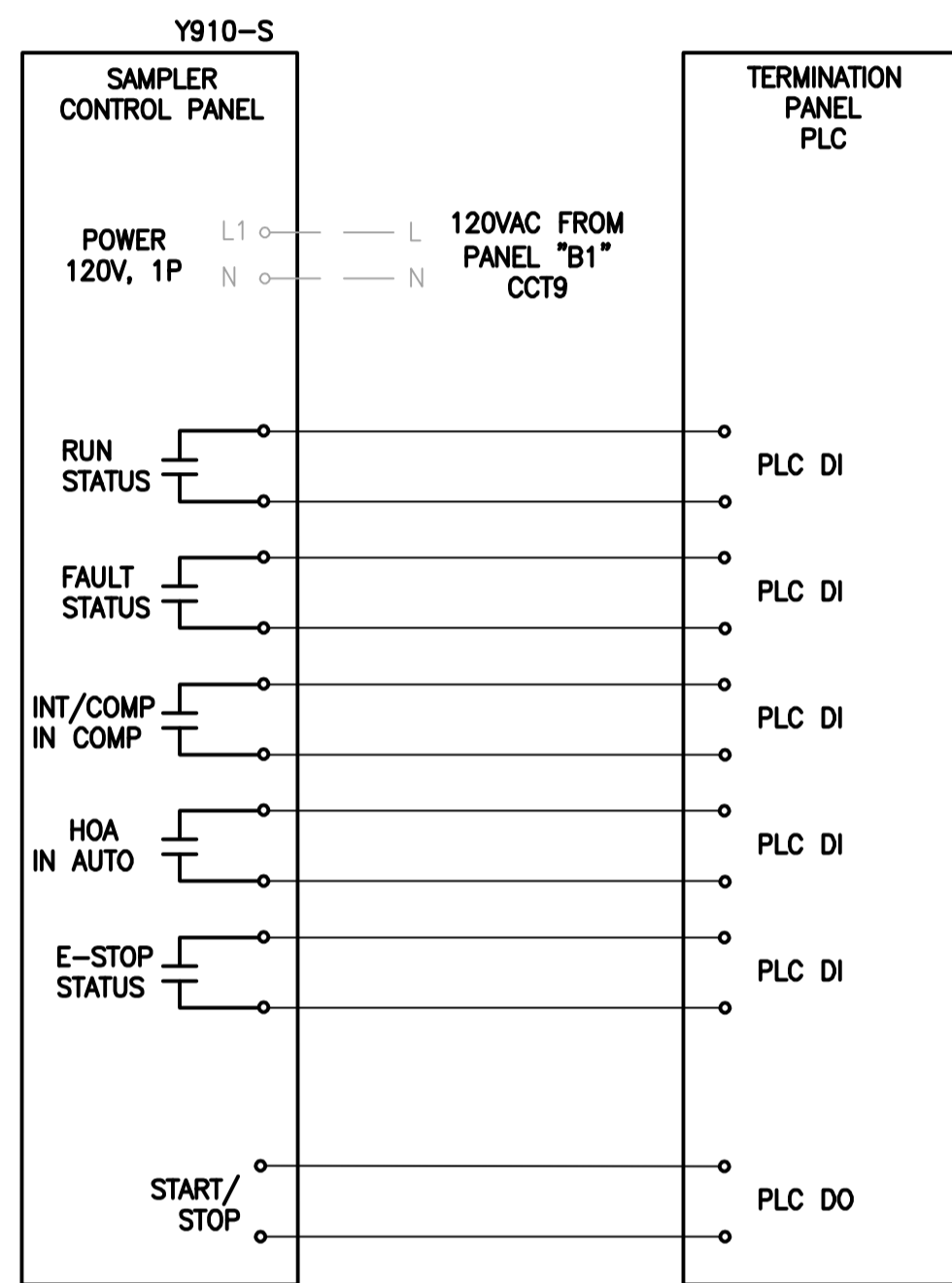
LEVEL TRANSMITTER WIRING DIAGRAM  
(TYPICAL FOR Y111-LIT; Y121-LIT; X111-LIT; X121-LIT)



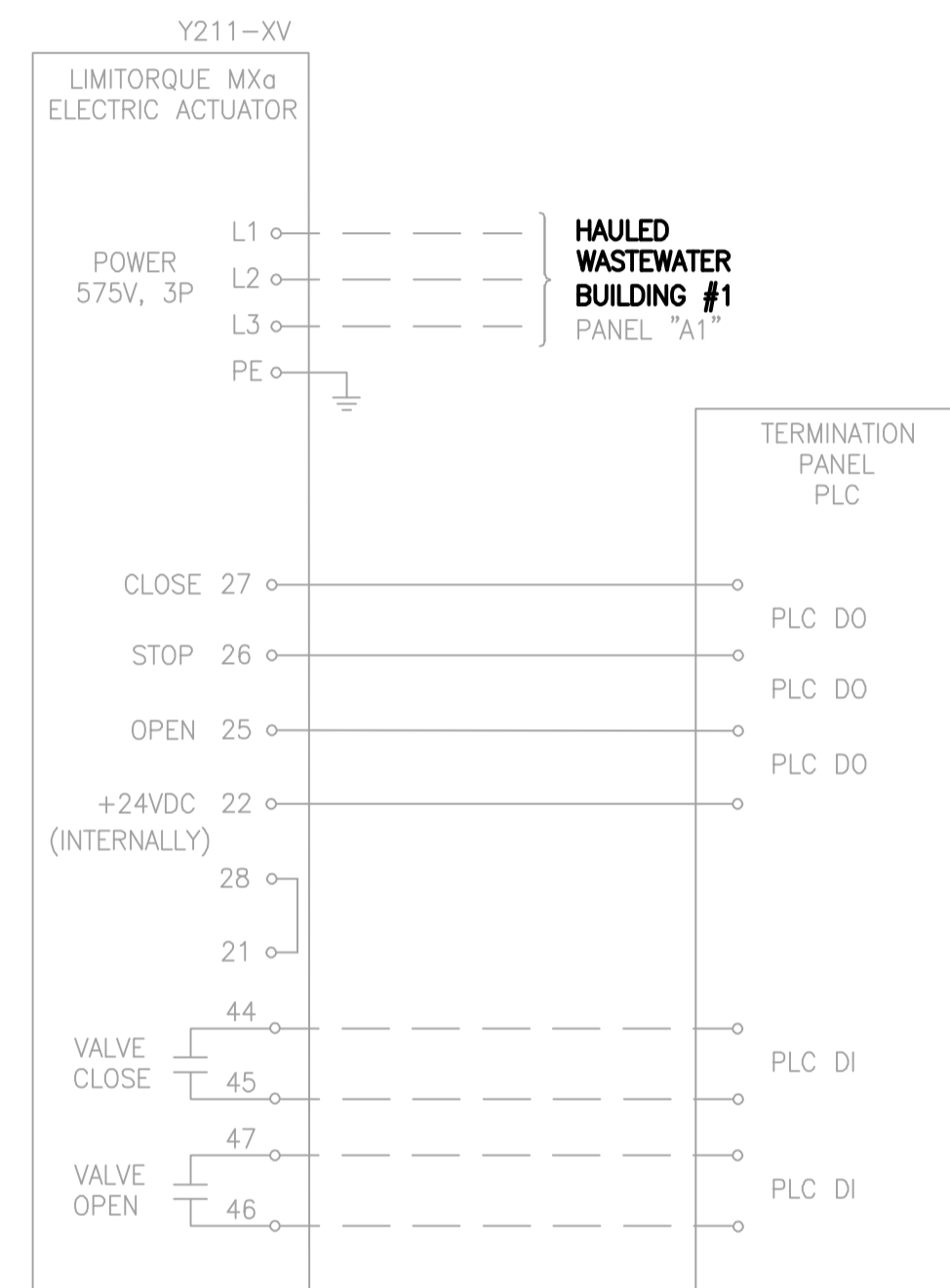
FLOAT SWITCH WIRING DIAGRAM  
(TYPICAL FOR Y111-LSH; Y111-LSL; Y121-LSH; Y121-LSL; X111-LSH; X111-LSL; X121-LSH; X121-LSL)



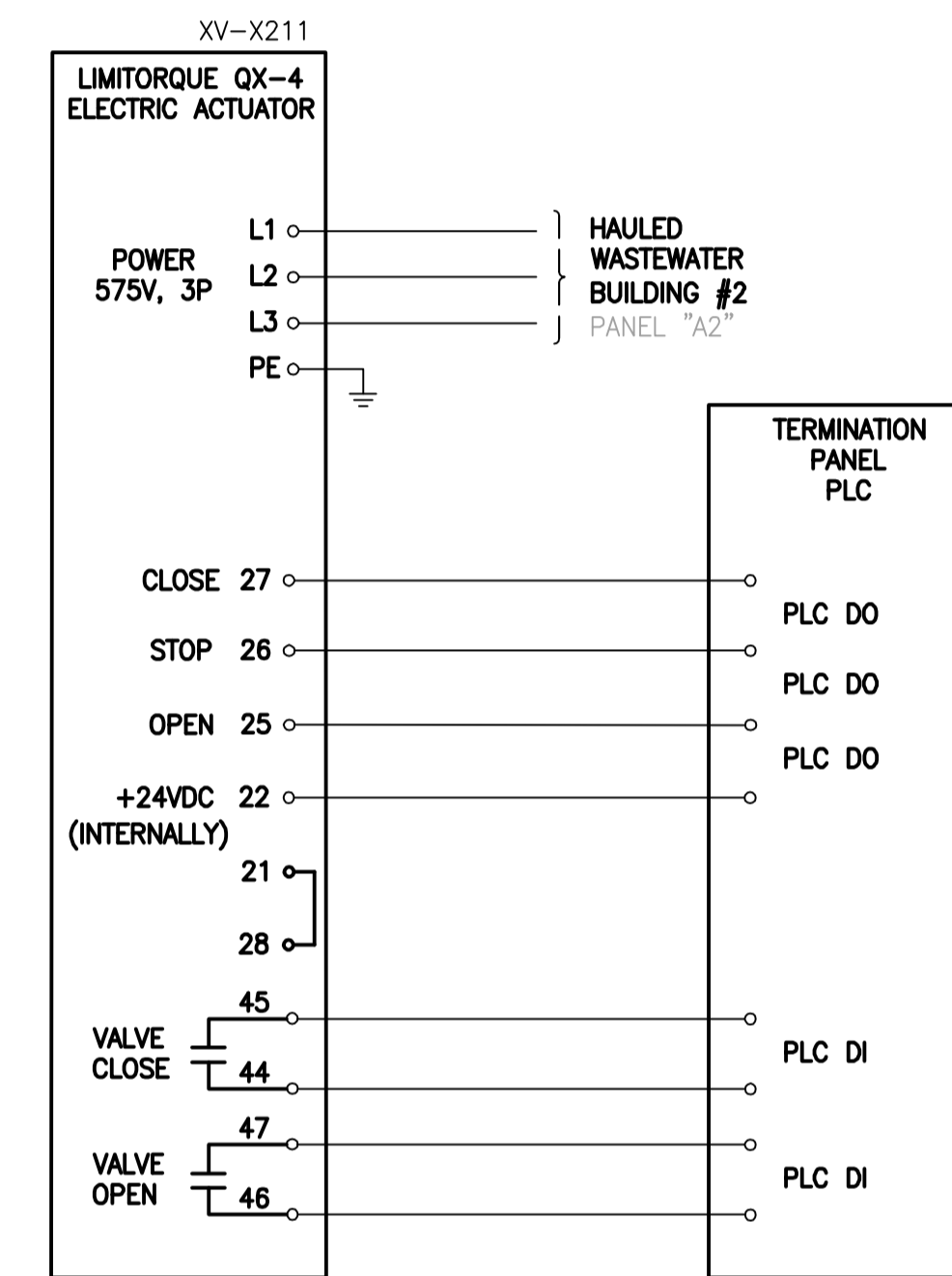
FLOW METERS FOR PARTIALLY FILLED PIPES WIRING DIAGRAM  
(TYPICAL FOR Y113-FIT; Y123-FIT; X113-FIT; X123-FIT; FIT-X151)



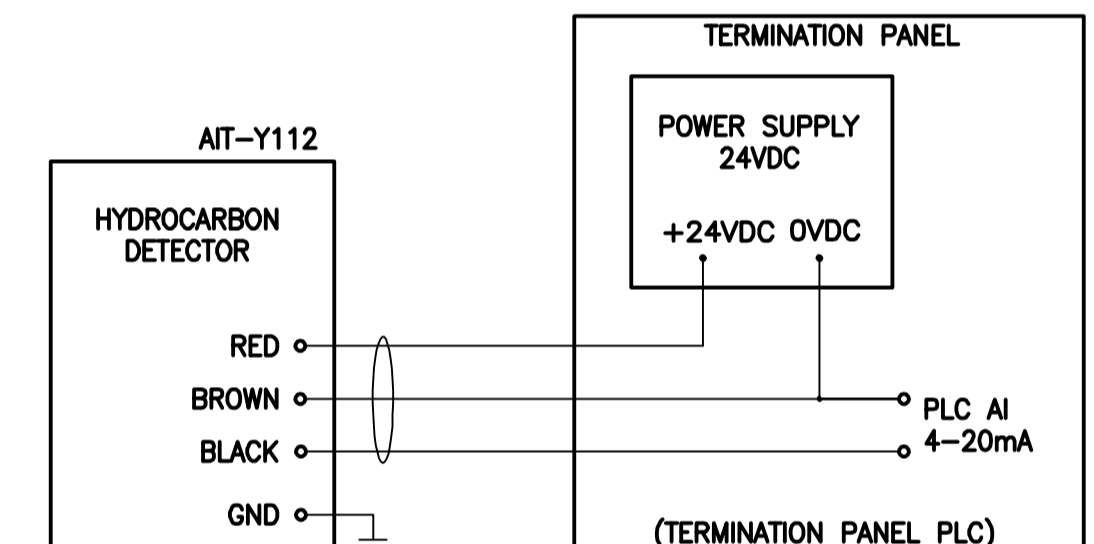
LEACHATE BUILDING LEACHATE PUMPS WIRING DIAGRAM  
(TYPICAL FOR X310-P; X320-P)



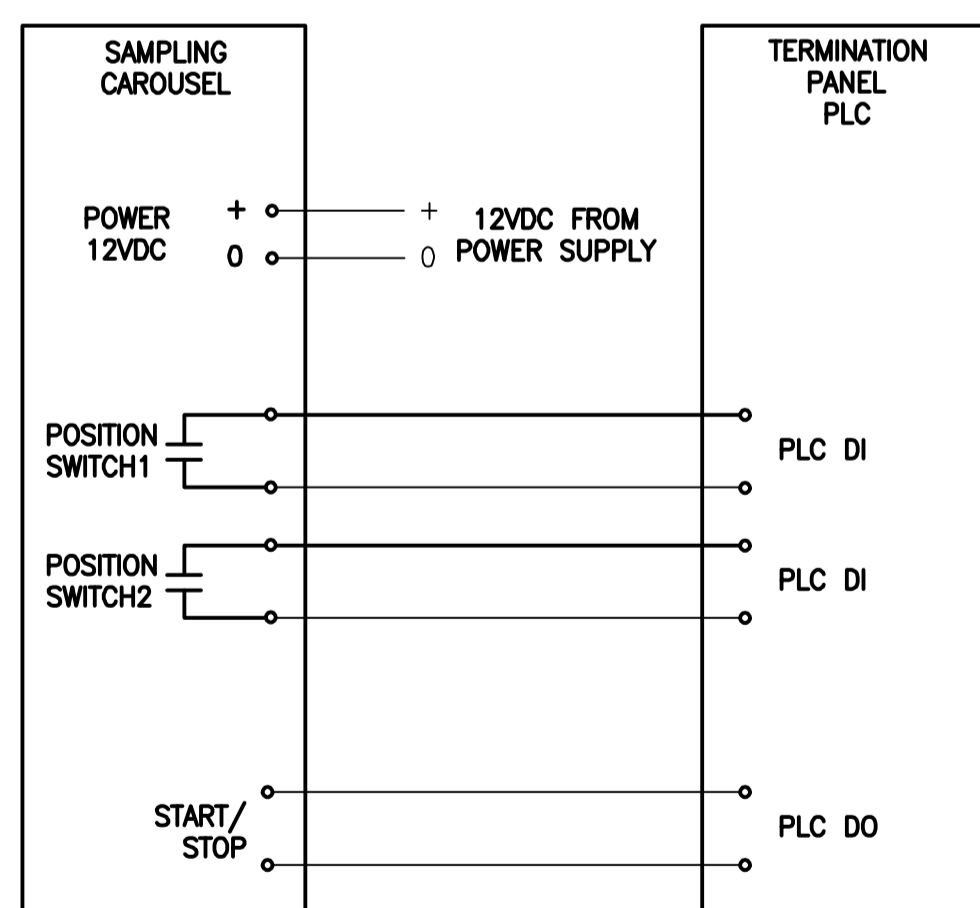
HAULED WASTEWATER BUILDING #1  
ELECTRIC ACTUATORS WIRING DIAGRAM  
(TYPICAL FOR Y211-XV; Y221-XV)



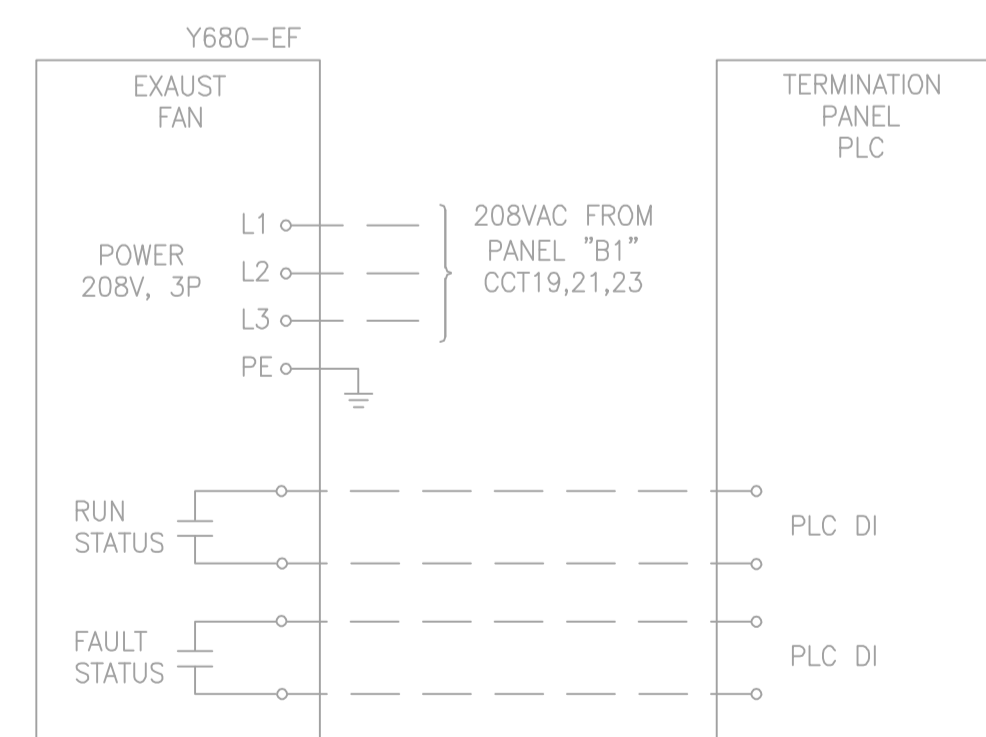
HAULED WASTEWATER BUILDING #2  
ELECTRIC ACTUATORS WIRING DIAGRAM  
(TYPICAL FOR XV-Y231; XV-Y241; X231-XV; X232-XV; X233-XV; X234-XV; X235-XV; XV-Y781; XV-Y782; XV-Y783; XV-Y784; XV-Y785; XV-Y786; XV-Y791; XV-Y792; XV-Y793; XV-Y794; XV-Y795; XV-Y796)



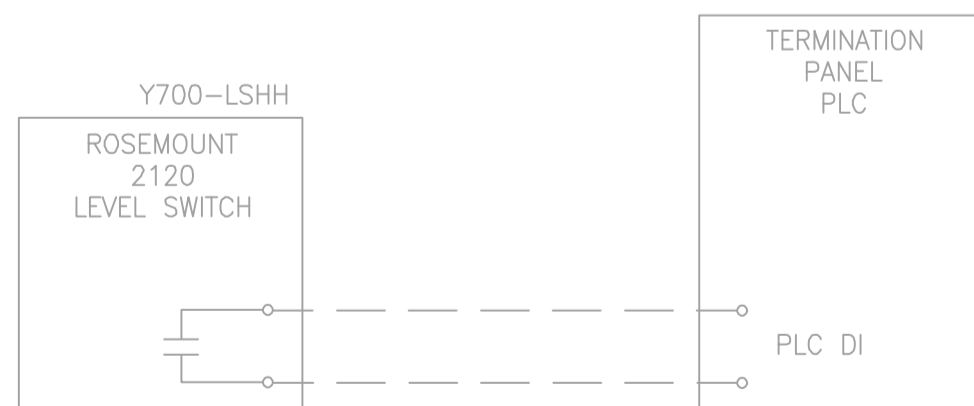
HYDROCARBON DETECTOR WIRING DIAGRAM  
(TYPICAL FOR Y112-AIT; Y122-AIT; AIT-Y133; AIT-Y143)



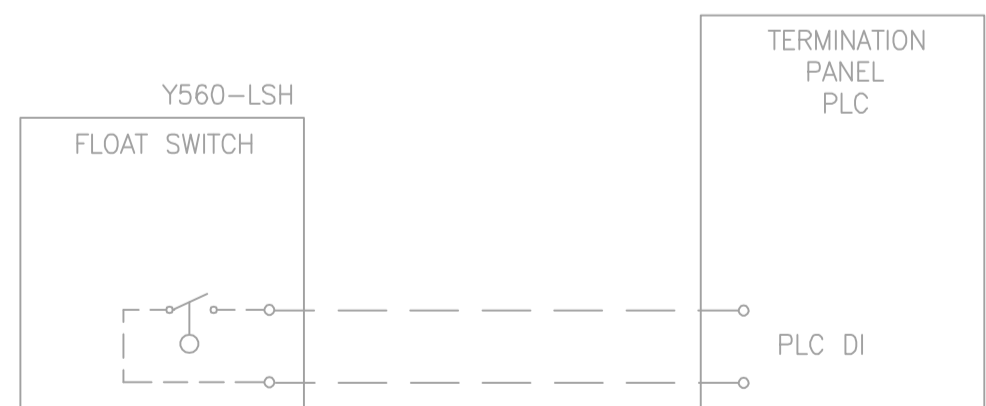
SAMPLER WIRING DIAGRAM  
(TYPICAL FOR Y910-S; S-Y920; S-Y930; S-Y940; S-X950)



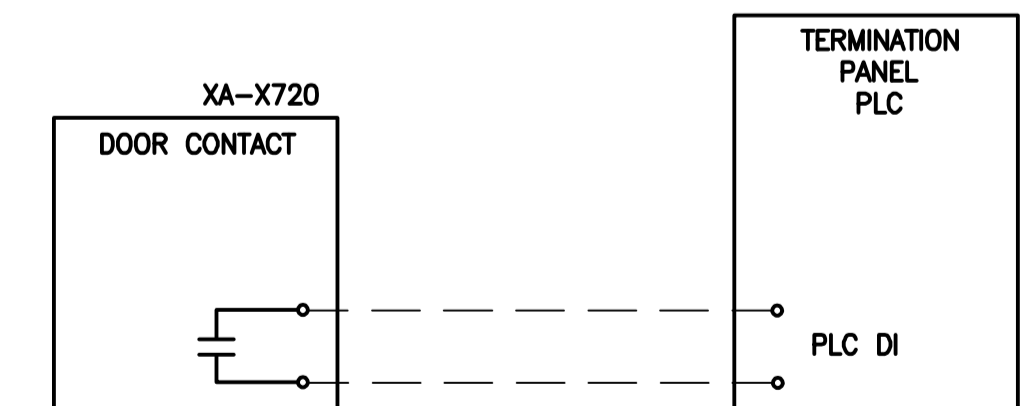
EXHAUST FAN WIRING DIAGRAM  
(TYPICAL FOR Y680-EF; X680-EF; W680-EF; EF-X690)



FLOOD ALARM WIRING DIAGRAM  
(TYPICAL FOR Y700-LSHH; LSHH-Y710; LSHH-X710)



SUMP PIT HIGH LEVEL ALARM WIRING DIAGRAM  
(TYPICAL FOR Y560-LSH; LSH-Y561; LSH-X570)



INTRUSION ALARM WIRING DIAGRAM  
(TYPICAL FOR Y715-XA; X715-XA; XA-X720)

- CONSTRUCTION NOTES:
- EXISTING INSTRUMENT TAGS WILL BE UPDATED PER SPECIFICATIONS.
  - HAULED WASTEWATER BUILDING IS NOW HAULED WASTEWATER BUILDING #1.
  - LEACHATE RECEIVING BUILDING IS NOW HAULED WASTEWATER BUILDING #2.
  - INSTRUMENT TAGS WILL BE REDLINED ON DRAWINGS BY CONTRACTOR.



**WARNING**  
IF POWER EQUIPMENT OR EXPLOSIVES ARE TO BE USED FOR EXCAVATION ON THIS PROJECT THE CONTRACTOR MUST:  
1) NOTIFY THE GAS COMPANY OF THE PROPOSED LOCATION OF EXCAVATION.  
2) TAKE PRECAUTION TO AVOID DAMAGE TO GAS COMPANY INSTALLATIONS.  
SEE PROVINCIAL REGULATION 140/92 FOR DETAILS

**METRIC**  
WHOLE NUMBERS INDICATE MILLIMETRES  
DECIMALIZED NUMBERS INDICATE METRES

LOCATION APPROVED UNDERGROUND STRUCTURES

SUPV. U/G STRUCTURES COMMITTEE	DATE

NOTE:  
LOCATION OF UNDERGROUND STRUCTURES AS SHOWN ARE BASED ON THE BEST INFORMATION AVAILABLE BUT NO GUARANTEE IS GIVEN THAT ALL EXISTING UTILITIES ARE SHOWN OR THAT THE GIVEN LOCATIONS ARE EXACT. CONFIRMATION OF EXISTENCE AND EXACT LOCATION OF ALL SERVICES MUST BE OBTAINED FROM THE INDIVIDUAL UTILITIES BEFORE PROCEEDING WITH CONSTRUCTION.

B.M. ELEV.	NO.	REVISIONS	DATE	BY
	7	ISSUED FOR TENDER	16.03.09	D.R.
	6	REVISED AS PER PHASE 2 UPGRADES	16.03.07	D.R.
	5	ISSUED FOR TENDER REVIEW	16.03.02	D.R.
	4	ISSUED FOR 95% REVIEW	16.01.29	D.R.

<b>Stantec</b> 500-311 Portage Ave, Winnipeg MB Canada www.stantec.com	
DESIGNED BY: S.L.	CHECKED BY: D.R.
DRAWN BY: E.G.D.	APPROVED BY: S.K.B.
HOR. SCALE: AS NOTED	RELEASED FOR CONSTRUCTION:
DATE: 2016.01.12	DATE:

ENGINEER'S SEAL
TENDER NO. 952-2015

**THE CITY OF WINNIPEG**  
WATER AND WASTE DEPARTMENT

**Winnipeg**

**NORTH END SEWAGE TREATMENT PLANT (NEWPC) HAULED LIQUID WASTE FACILITY PHASE II UPGRADE**

MISCELLANEOUS WIRING DETAILS

CITY DRAWING NUMBER: I-OIOA-A0005-001

SHEET 20 OF 20