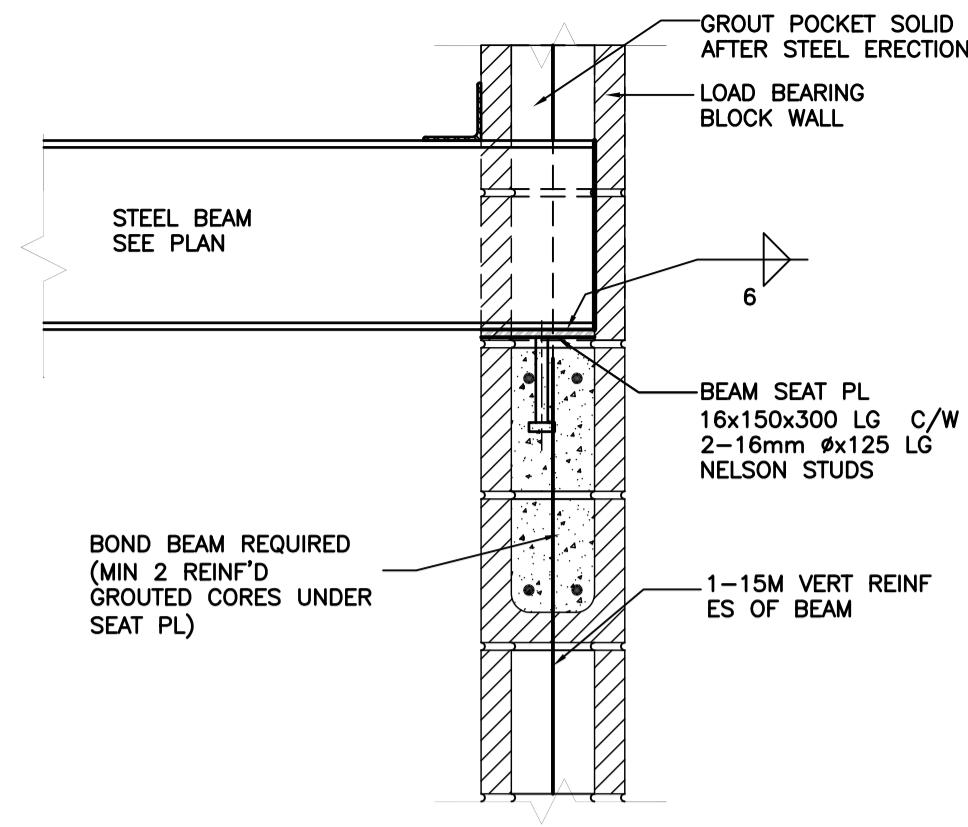
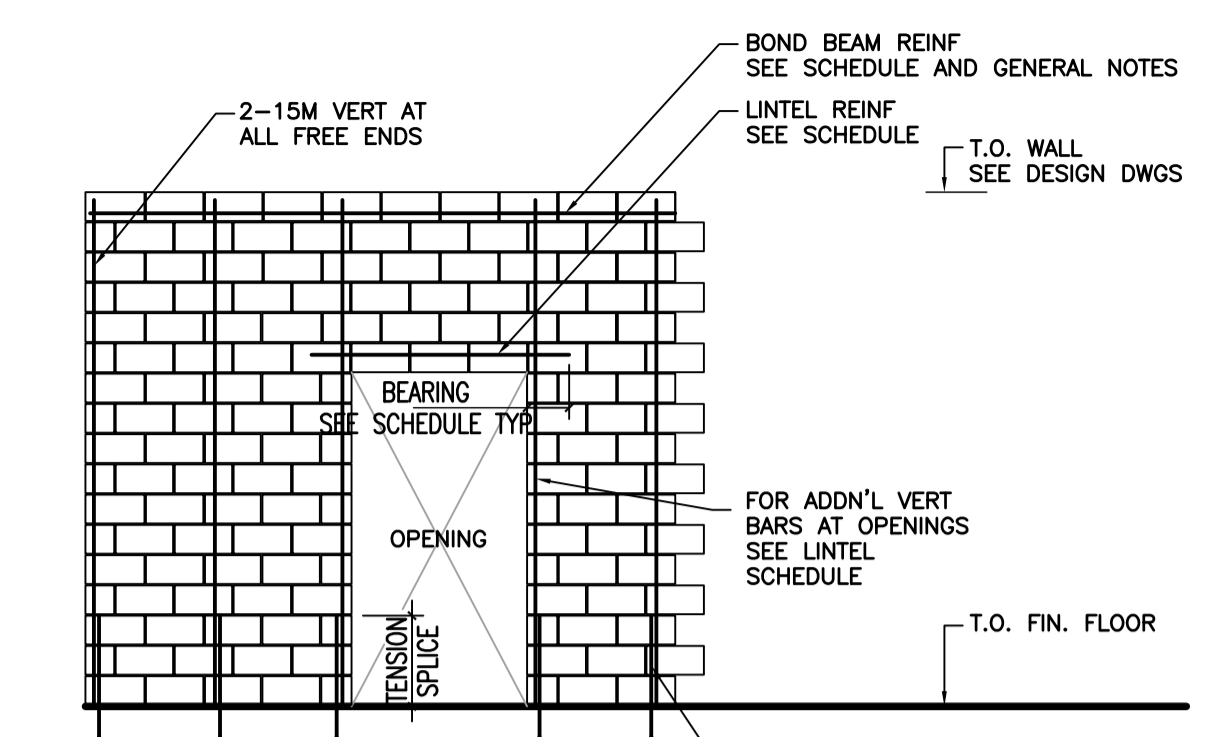


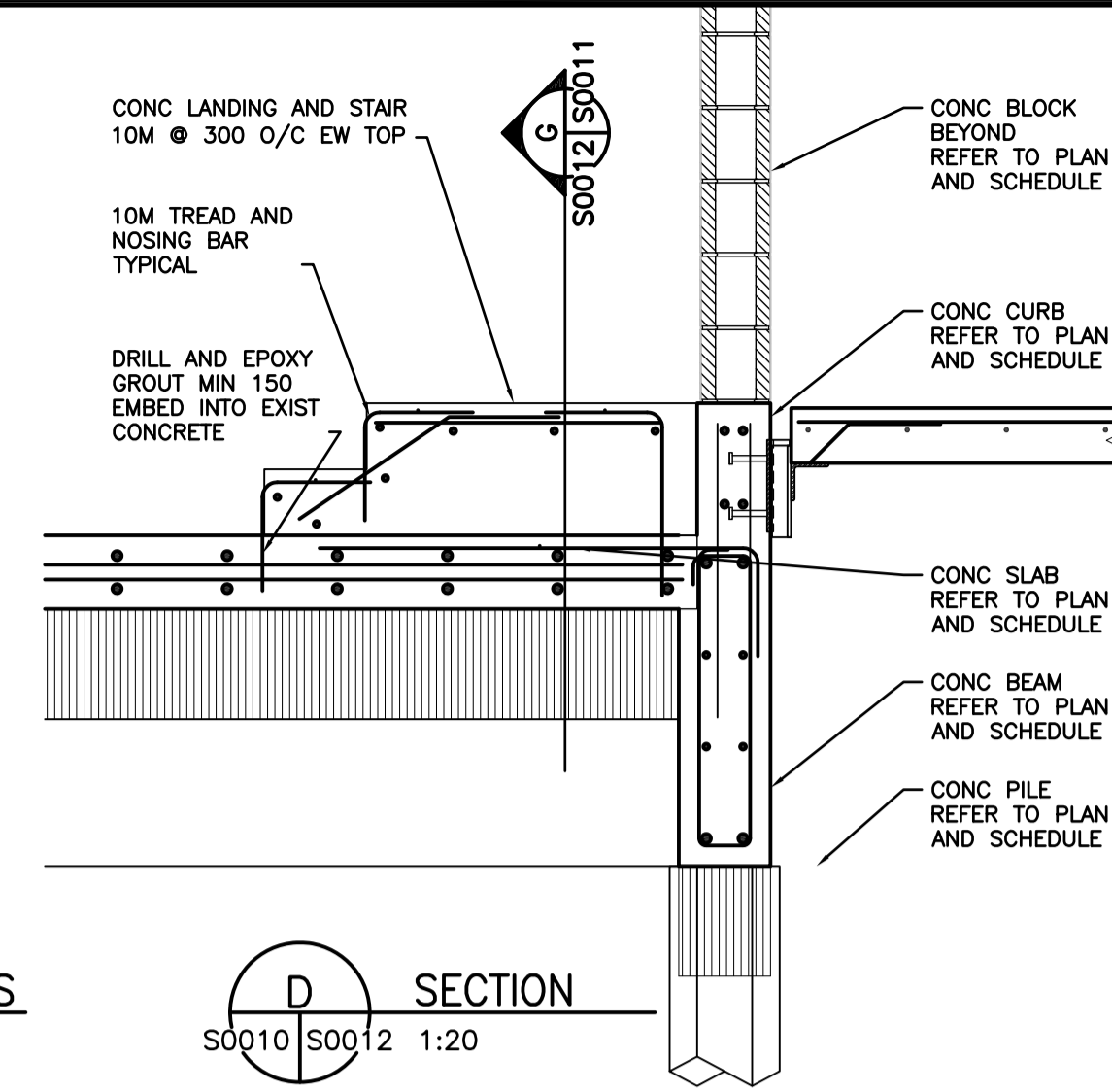
**A** LOAD BEARING CMU WALL LATERAL SUPPORT AT DECK  
S0010 | S0012 1:10



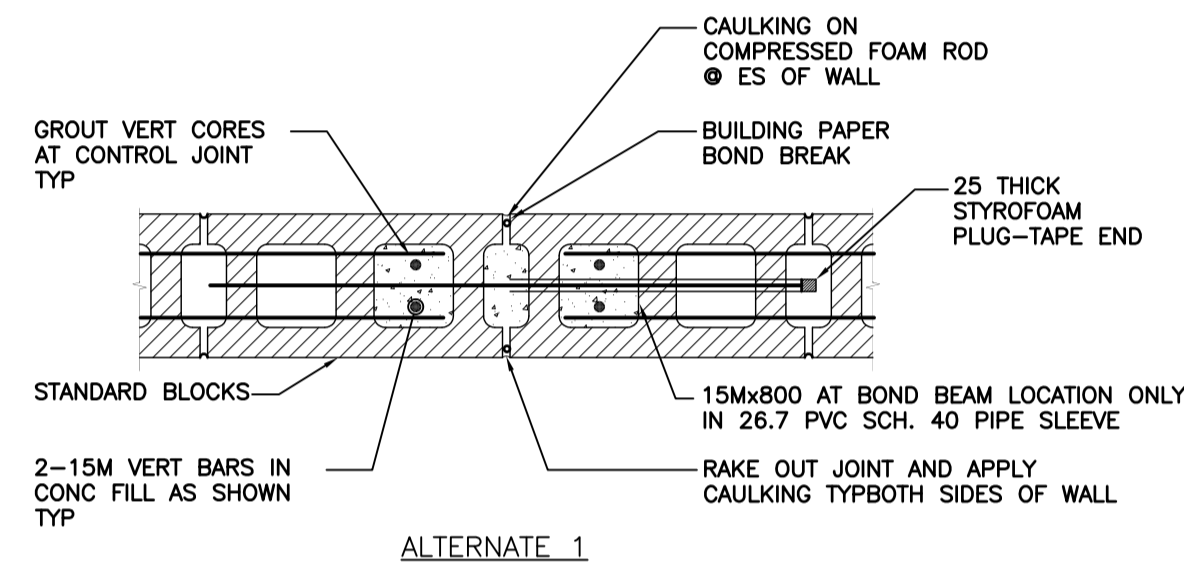
**B** STEEL BEAM BEARING ON CMU WALL  
S0010 | S0012 1:10



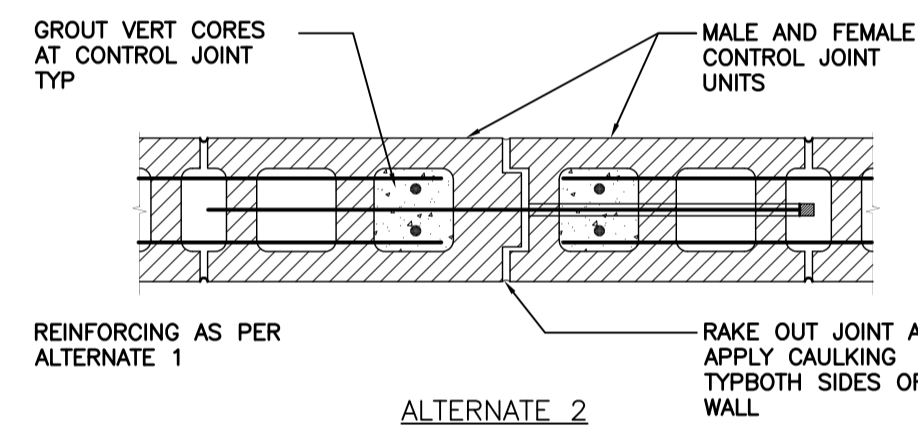
**C** TYP ADDITIONAL REINFORCING AROUND OPENINGS  
- S0012 1:20



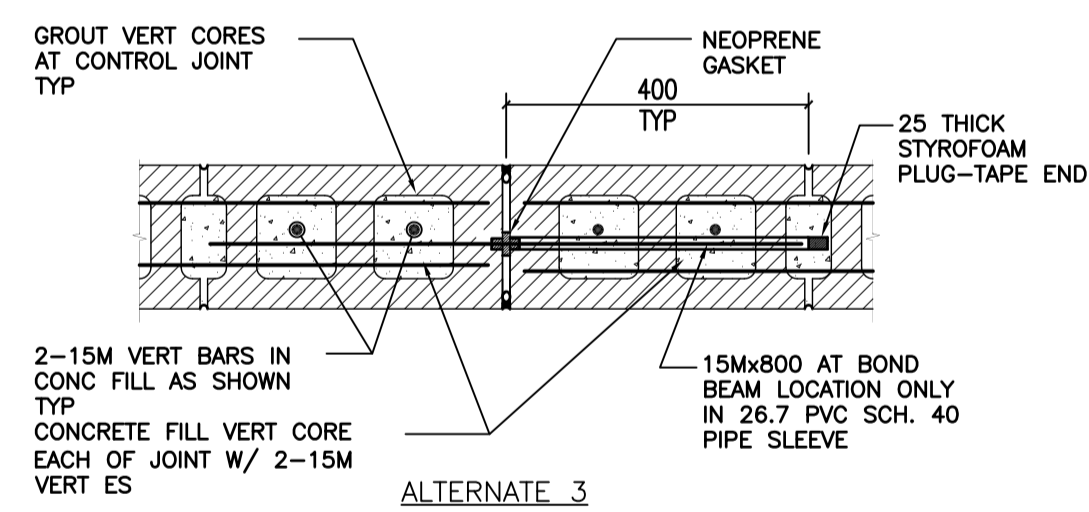
**D** SECTION  
S0010 | S0012 1:20



ALTERNATE 1

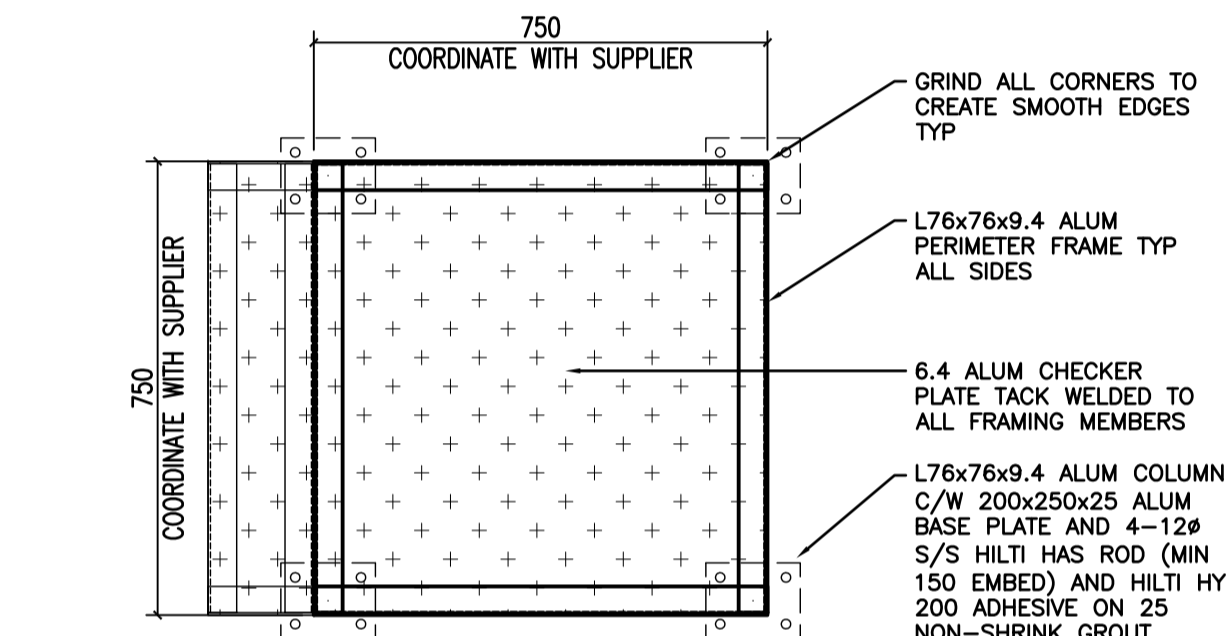


ALTERNATE 2

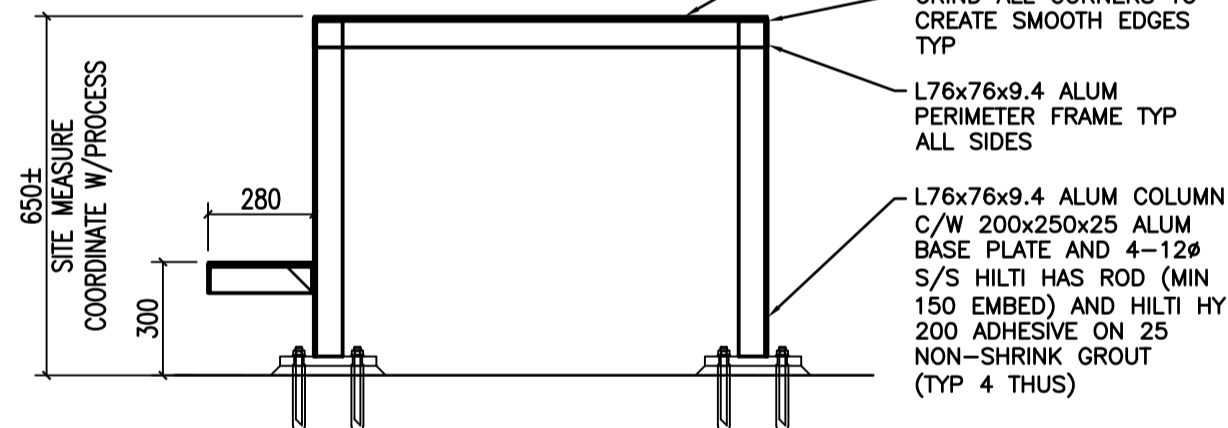


ALTERNATE 3

**2** TYPICAL CMU WALL CONTROL JOINT PLAN DETAILS  
- S0012 1:10

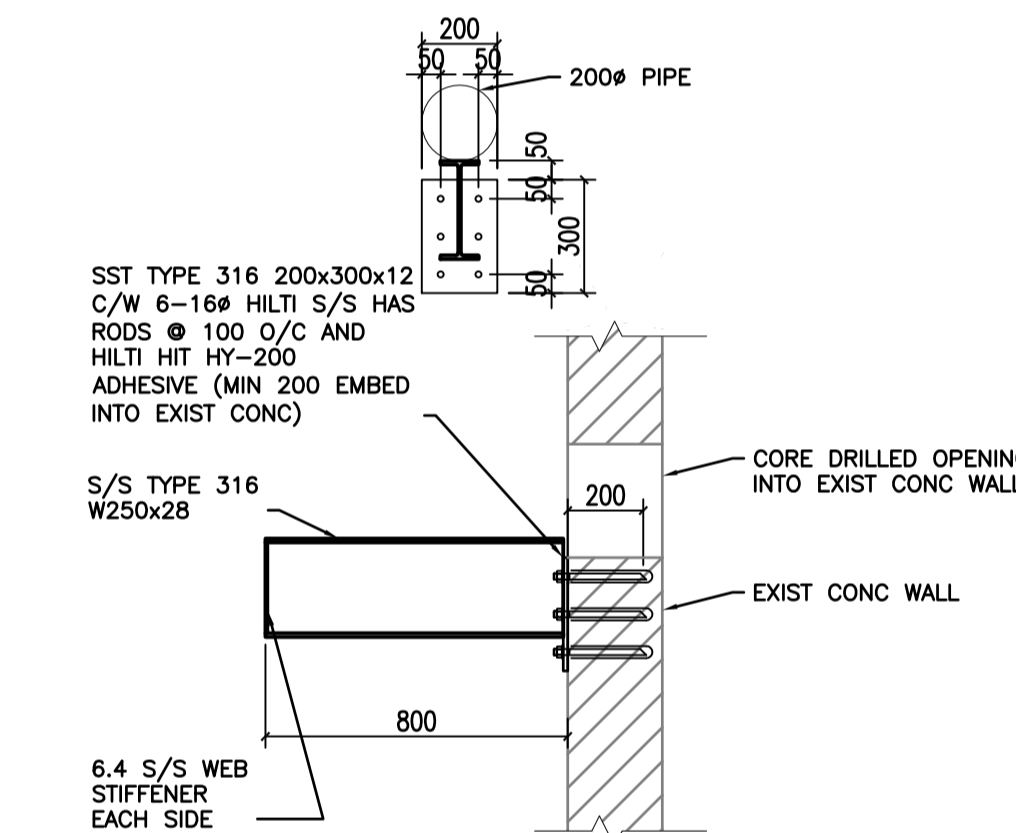


PLAN

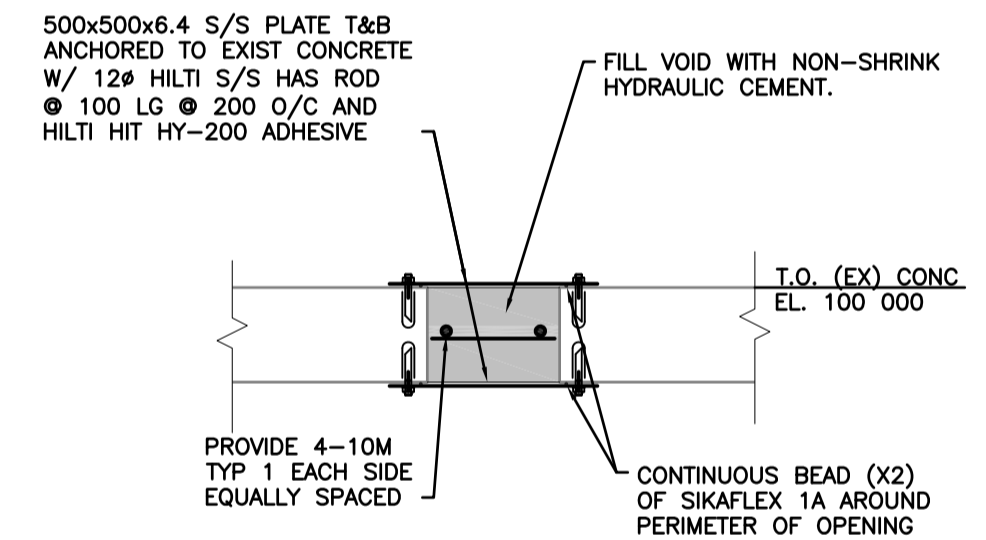


SECTION

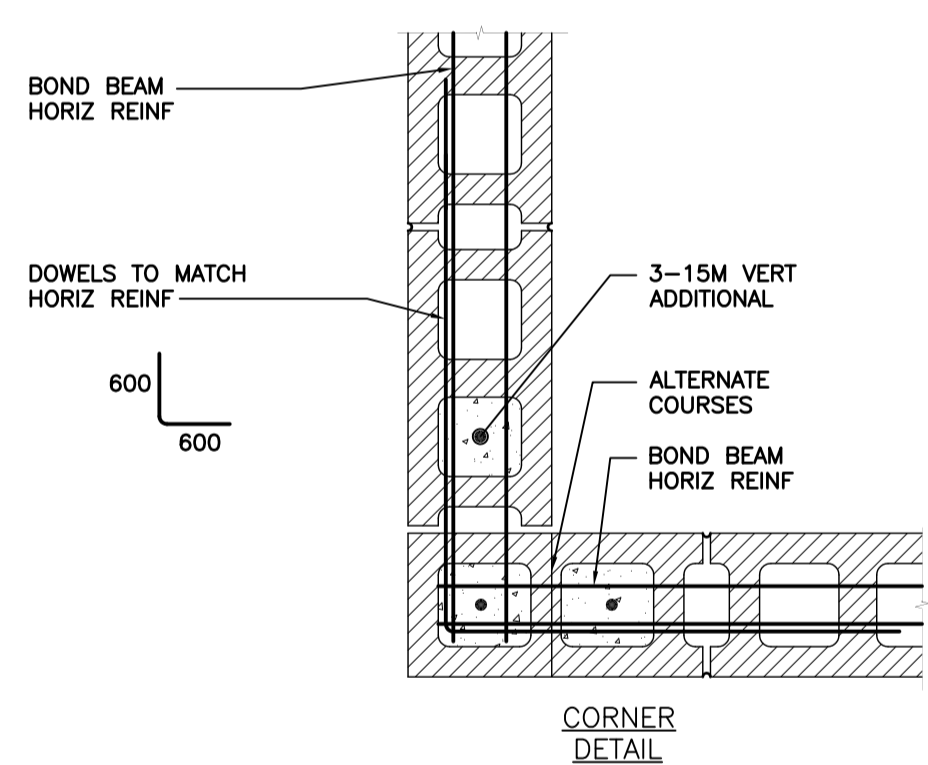
**E** TYP STEEL PLATFORM (4 THUS)  
- S0012 1:20



**F** TYP PIPE SUPPORT BRACKET DETAIL  
- S0012 1:20



**G** TYP CONCRETE SLAB INFILL DETAIL  
- S0012 1:20



CORNER DETAIL

**1** CMU WALL REINF PLAN DETAILS  
S0010 | S0012 1:10

NOTE  
ALL CORNERS AND "T" INTERSECTIONS TO BE CONSTRUCTED USING INTERLOCKING BOND

**WARNING**

IF POWER EQUIPMENT OR EXPLOSIVES ARE TO BE USED FOR EXCAVATION ON THIS PROJECT THE CONTRACTOR MUST:  
1) NOTIFY THE GAS COMPANY OF THE PROPOSED LOCATION OF EXCAVATION.  
2) TAKE PRECAUTION TO AVOID DAMAGE TO GAS COMPANY INSTALLATIONS.  
SEE PROVINCIAL REGULATION 140/92 FOR DETAILS



**METRIC**

WHOLE NUMBERS INDICATE MILLIMETRES  
DECIMALIZED NUMBERS INDICATE METRES

**LOCATION APPROVED UNDERGROUND STRUCTURES**

SUPV. U/G STRUCTURES COMMITTEE DATE

NOTE:  
LOCATION OF UNDERGROUND STRUCTURES AS SHOWN ARE BASED ON THE BEST INFORMATION AVAILABLE BUT NO GUARANTEE IS GIVEN THAT ALL EXISTING UTILITIES ARE SHOWN OR THAT THE GIVEN LOCATIONS ARE EXACT. CONFIRMATION OF EXISTENCE AND EXACT LOCATION OF ALL SERVICES MUST BE OBTAINED FROM THE INDIVIDUAL UTILITIES BEFORE PROCEEDING WITH CONSTRUCTION.

NO.	REVISIONS	DATE	BY
3	ISSUED FOR TENDER	16.03.09	B.F.
2	ISSUED FOR TENDER REVIEW	16.03.07	B.F.
1	ISSUED FOR 95% REVIEW	16.01.29	B.F.

DESIGNED BY	B.F.
CHECKED BY	B.W.
DRAWN BY	C.J.U.
APPROVED BY	S.K.B.
HOR. SCALE:	AS NOTED
VERTICAL:	
DATE	2016.01.12

ENGINEER'S SEAL	
TENDER NO.	952-2015

**THE CITY OF WINNIPEG**  
WATER AND WASTE DEPARTMENT

**Winnipeg**

**NORTH END SEWAGE TREATMENT PLANT (NEWPC) HAULED LIQUID WASTE FACILITY PHASE II UPGRADE**

STRUCTURAL TYPICAL DETAILS AND SECTIONS

CITY DRAWING NUMBER: **I-0101A-S0012-001**

SHEET 4 OF 6