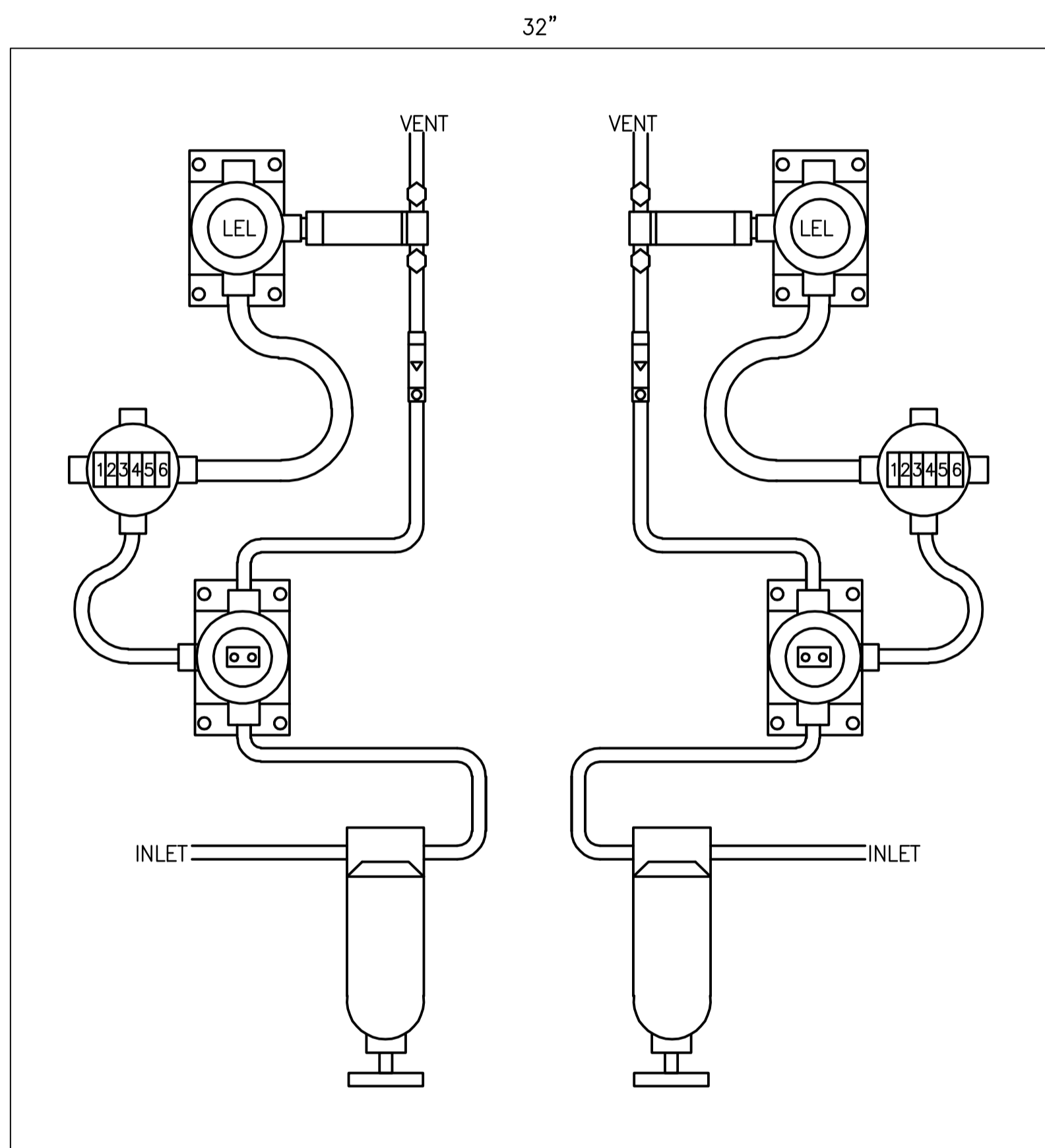
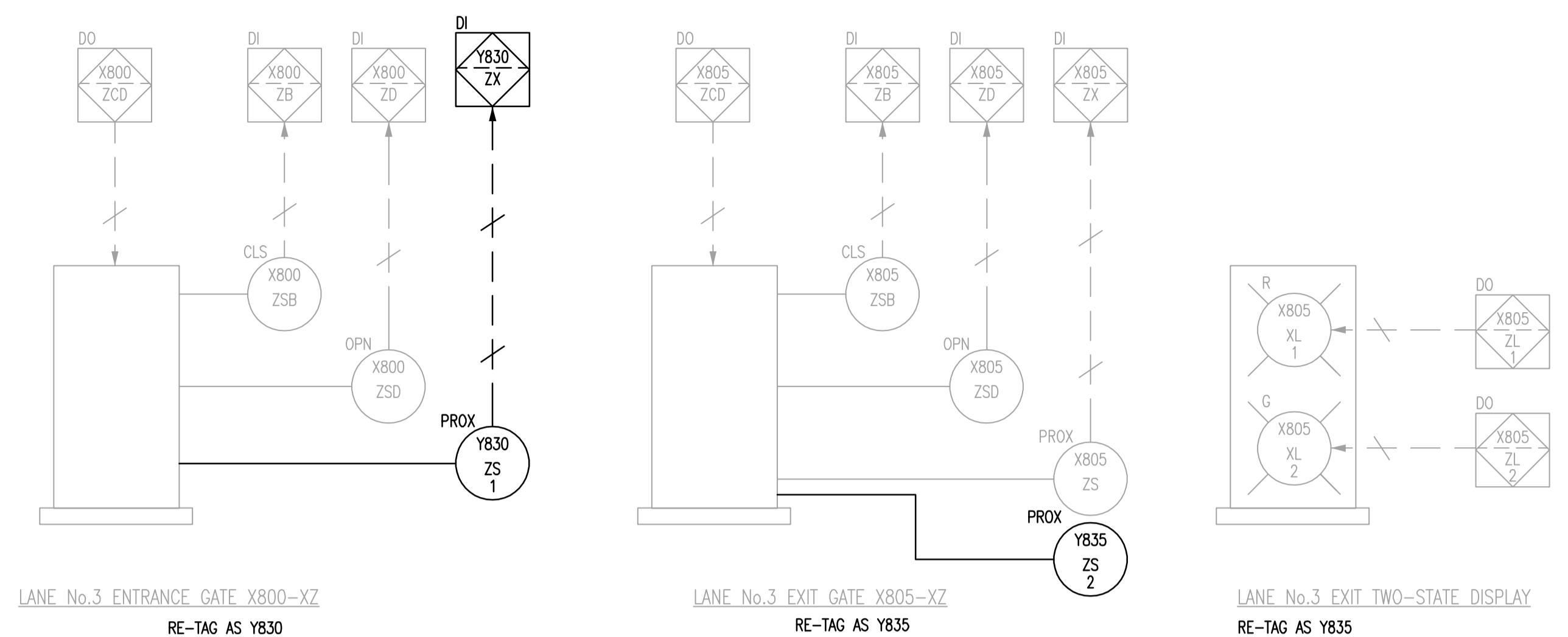
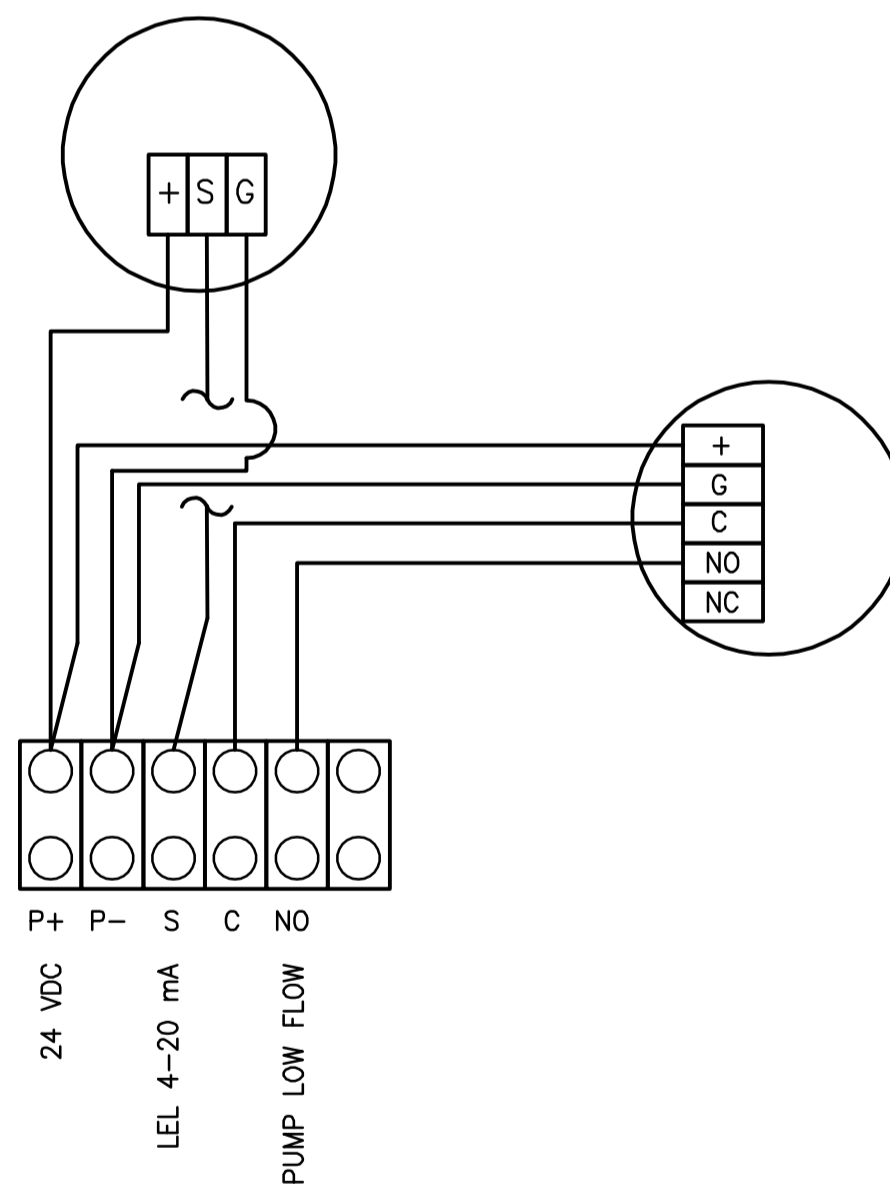


MISCELLANEOUS ALARMS



GAS SAMPLE PANEL

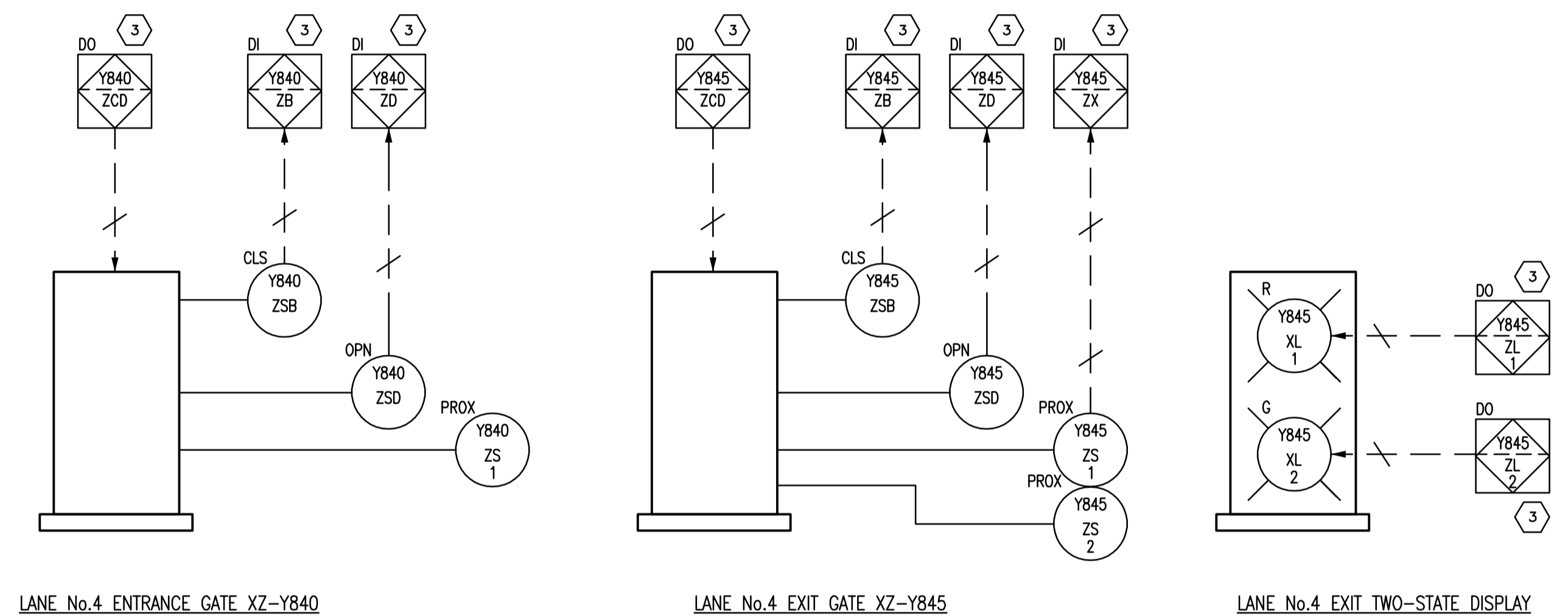
ITEM	QTY	DESCRIPTION
1	2	GAS DETECTOR: A-ULTIMAX-XP E38C4S20010100 (MANUFACTURER: MSA)
2	2	SAMPLE PUMP: 10043264 (MANUFACTURER: MSA)
3	2	ROTAMATOR: FR-2A29SVWT
4	2	COALESCING FILTER: HN1S6CN
5	2	JUNCTION BOX: GECXF-2-6TB
6	AS REQ'D	1/4 X 03S WALL 316 SS TUBE
7	AS REQ'D	316 SS TUBE FITTINGS
8	1	32" X 48" BACKPANEL
9	AS REQ'D	LAMICOID TAGS



LANE No.3 ENTRANCE GATE X800-ZX  
RE-TAG AS Y830

LANE No.3 EXIT GATE X805-ZX  
RE-TAG AS Y835

LANE No.3 EXIT TWO-STATE DISPLAY  
RE-TAG AS Y835



LANE No.4 ENTRANCE GATE XZ-Y840

LANE No.4 EXIT GATE XZ-Y845

LANE No.4 EXIT TWO-STATE DISPLAY

CONSTRUCTION NOTES:

- 1 PROVIDE PROXIMITY SENSOR, GATES, AND DISPLAY IN LANE 4.
- 2 PROVIDE HYDROGEN SULFIDE SENSOR IN HAULED WASTEWATER BUILDING 2.
- 3 WIRE TO EXISTING PLC CABINET AND TERMINATE TO AVAILABLE I/O.
- 4 EXISTING INSTRUMENT TAGS WILL BE UPDATED PER SPECIFICATIONS.
- 5 INSTRUMENT TAGS WILL BE REDLINED ON DRAWINGS BY CONTRACTOR.

HAULED WASTEWATER BUILDING NO. 1  
(FORMERLY HAULED WASTEWATER BUILDING)  
HAULED WASTEWATER BUILDING NO. 2  
(FORMERLY LEACHATE RECEIVING BUILDING)



**WARNING**  
IF POWER EQUIPMENT OR EXPLOSIVES ARE TO BE USED FOR EXCAVATION ON THIS PROJECT THE CONTRACTOR MUST:  
1) NOTIFY THE GAS COMPANY OF THE PROPOSED LOCATION OF EXCAVATION.  
2) TAKE PRECAUTION TO AVOID DAMAGE TO GAS COMPANY INSTALLATIONS.  
SEE PROVINCIAL REGULATION 140/92 FOR DETAILS

**METRIC**  
WHOLE NUMBERS INDICATE MILLIMETRES  
DECIMALIZED NUMBERS INDICATE METRES

LOCATION APPROVED UNDERGROUND STRUCTURES

SUPV. U/G STRUCTURES COMMITTEE	DATE

NOTE:  
LOCATION OF UNDERGROUND STRUCTURES AS SHOWN ARE BASED ON THE BEST INFORMATION AVAILABLE BUT NO GUARANTEE IS GIVEN THAT ALL EXISTING UTILITIES ARE SHOWN OR THAT THE GIVEN LOCATIONS ARE EXACT. CONFIRMATION OF EXISTENCE AND EXACT LOCATION OF ALL SERVICES MUST BE OBTAINED FROM THE INDIVIDUAL UTILITIES BEFORE PROCEEDING WITH CONSTRUCTION.

NO.	REVISIONS	DATE	BY
3	ISSUED FOR TENDER	16.03.09	D.R.
2	ISSUED FOR TENDER REVIEW	16.03.07	D.R.
1	ISSUED FOR 95% REVIEW	16.01.29	D.R.

**Stantec**  
500-311 Portage Ave. Winnipeg MB Canada  
www.stantec.com

DESIGNED BY: S.L.	CHECKED BY: D.R.
DRAWN BY: E.G.D.	APPROVED BY: S.K.B.
HOR. SCALE: AS NOTED	RELEASED FOR CONSTRUCTION:
VERTICAL:	DATE: 2016.01.12

ENGINEER'S SEAL

TENDER NO. **952-2015**

**THE CITY OF WINNIPEG**  
WATER AND WASTE DEPARTMENT

**Winnipeg**

**NORTH END SEWAGE TREATMENT PLANT (NEWPCC)**  
HAULED LIQUID WASTE FACILITY PHASE II UPGRADE  
HAULED WASTEWATER BUILDING 2  
PROCESS & INSTRUMENTATION DIAGRAM  
MISCELLANEOUS SYSTEMS

CITY DRAWING NUMBER: **I-OIOIY-AOOIO-001**

SHEET **II** OF **20**