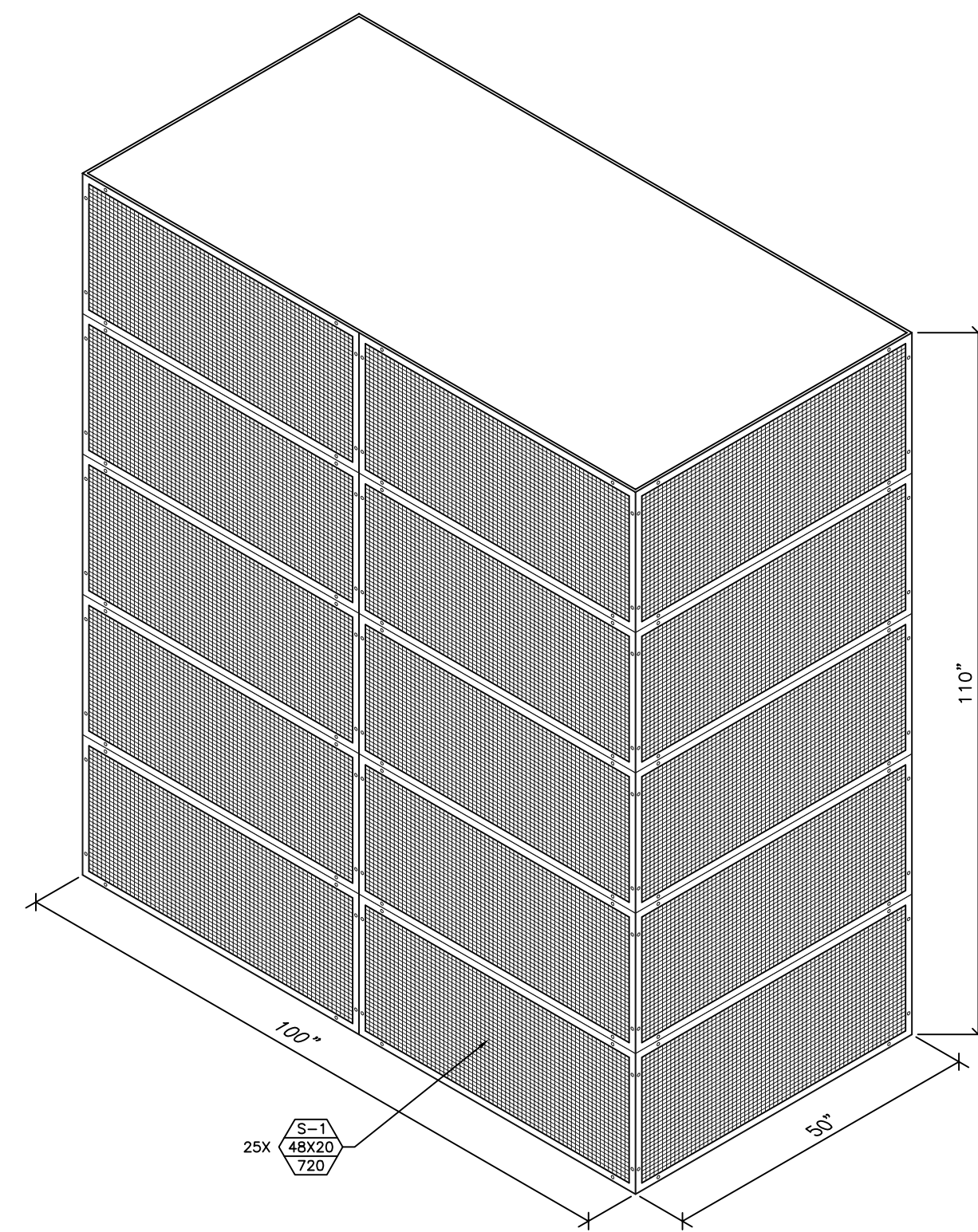
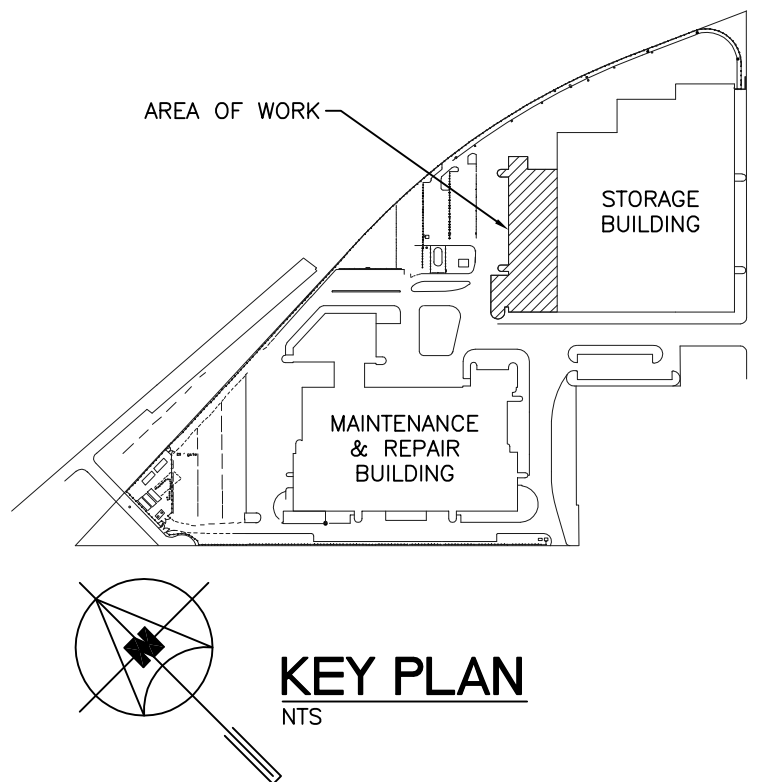
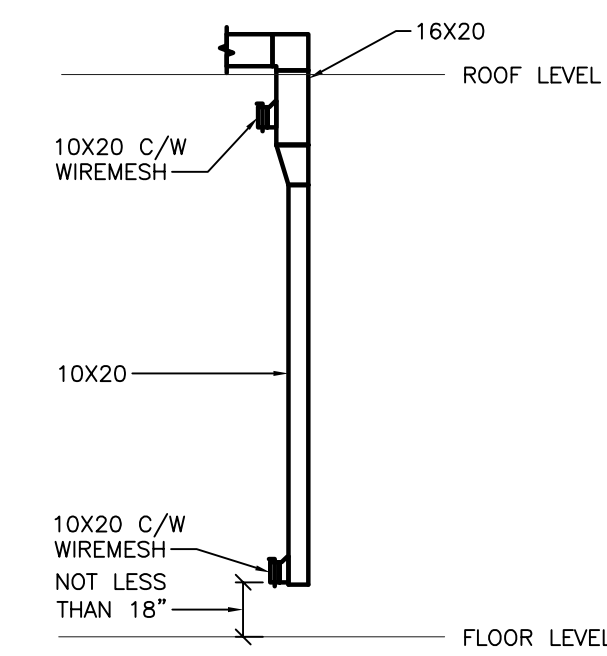


GENERAL NOTES

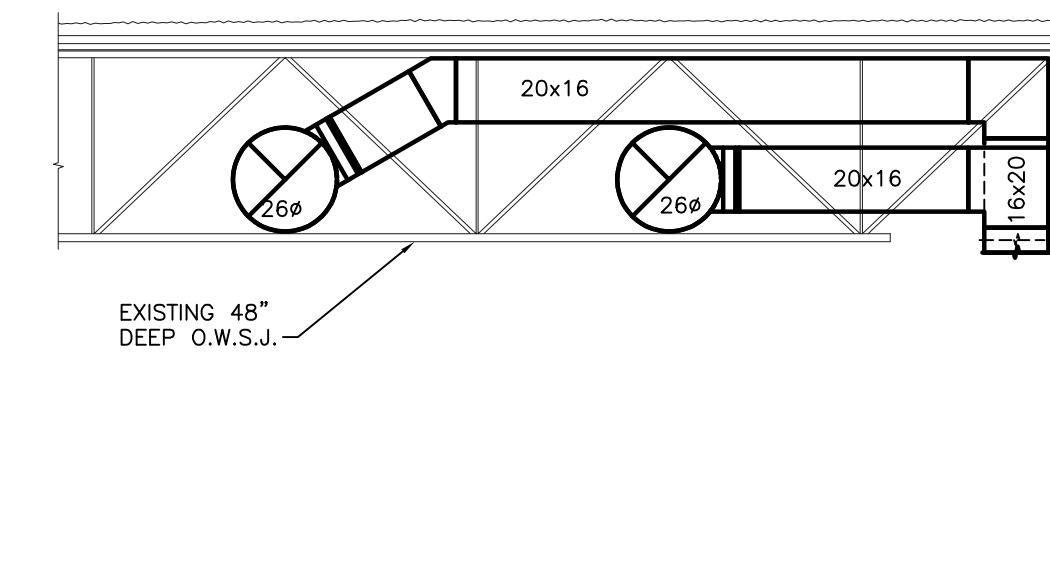
- A. REFER TO SCOPE OF WORK DESCRIPTION IN FRONT END SPECIFICATIONS FOR SEQUENCING.
- B. THIS BUILDING MAY CONTAIN ASBESTOS. REFER TO FRONT END SPECIFICATIONS FOR FURTHER INFORMATION.



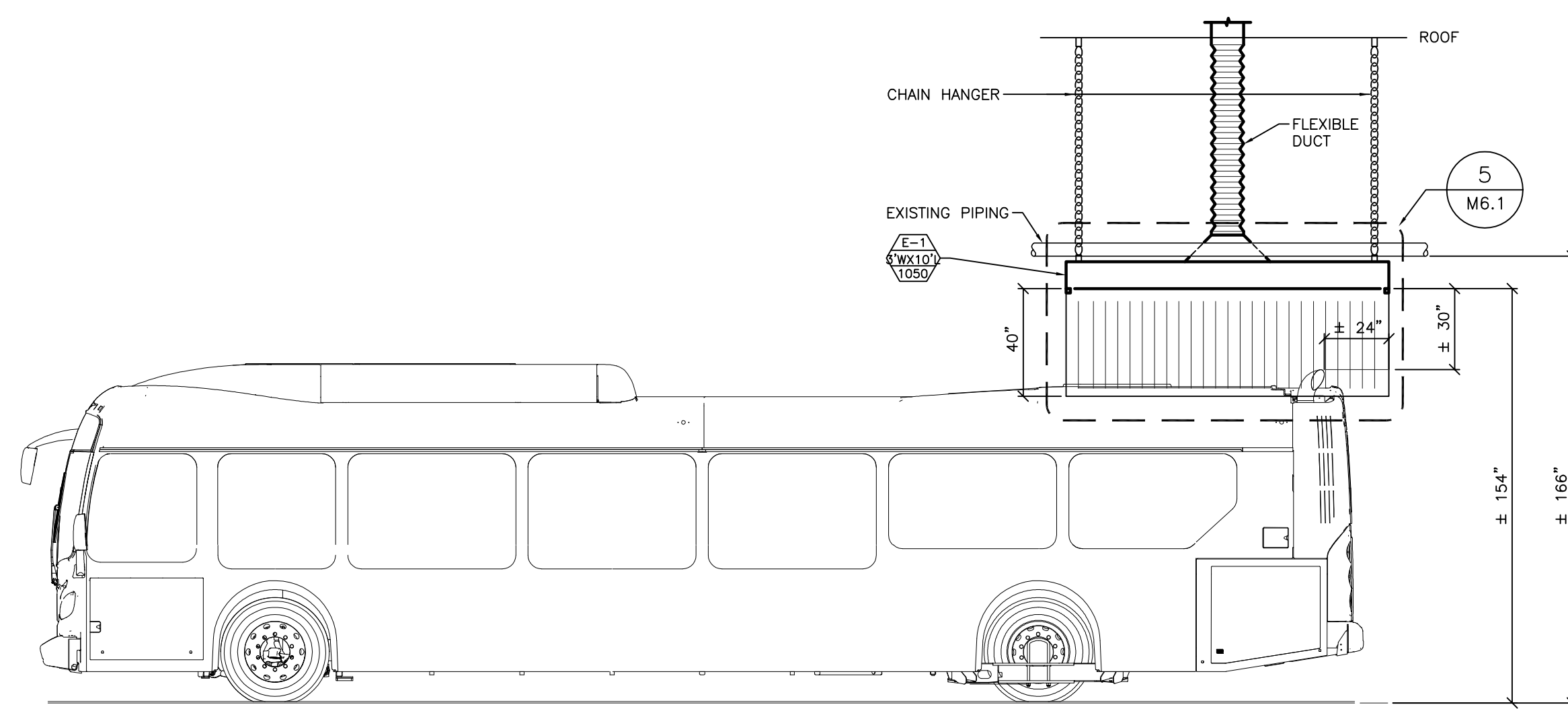
1 SUPPLY AIR PLENUM DETAIL
M6.1 SCALE: N.T.S.



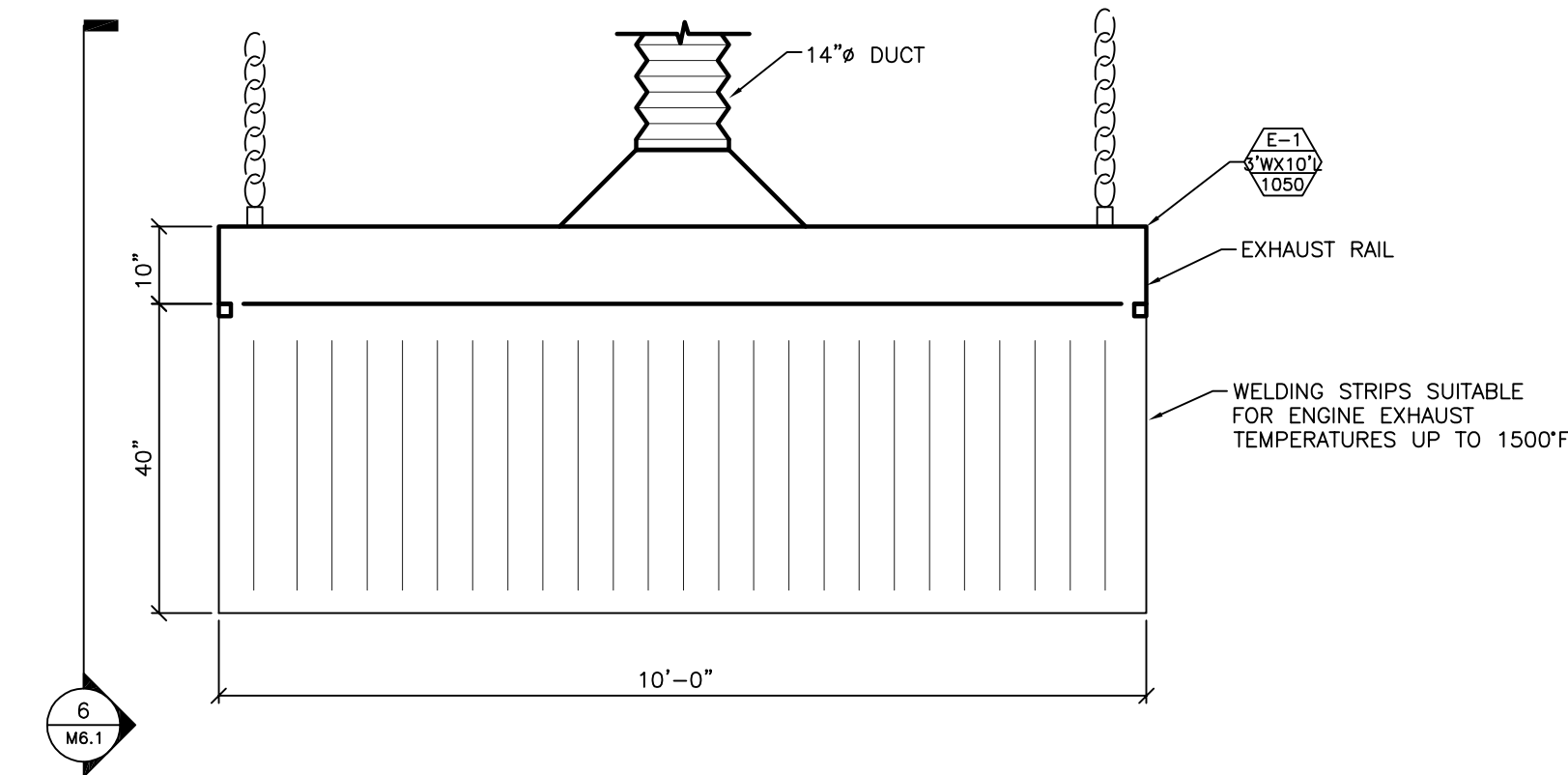
2 EXHAUST RISER SECTION
M6.1 SCALE: N.T.S.



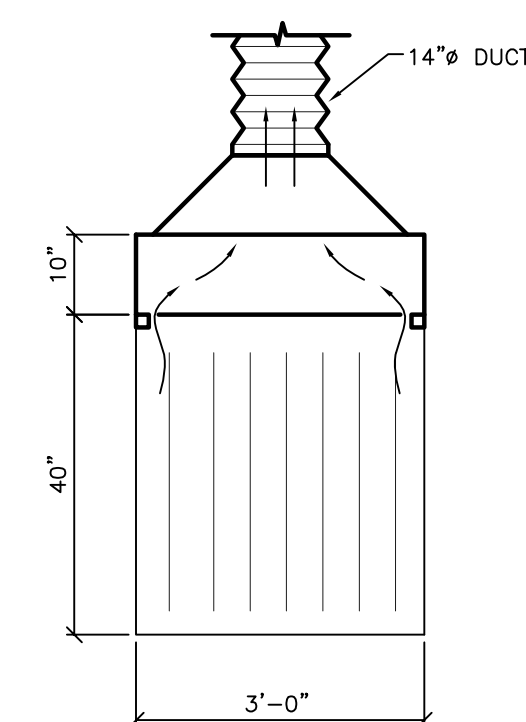
3 B-SECTION - DUCTS IN JOIST SPACE
M6.1 SCALE: N.T.S.



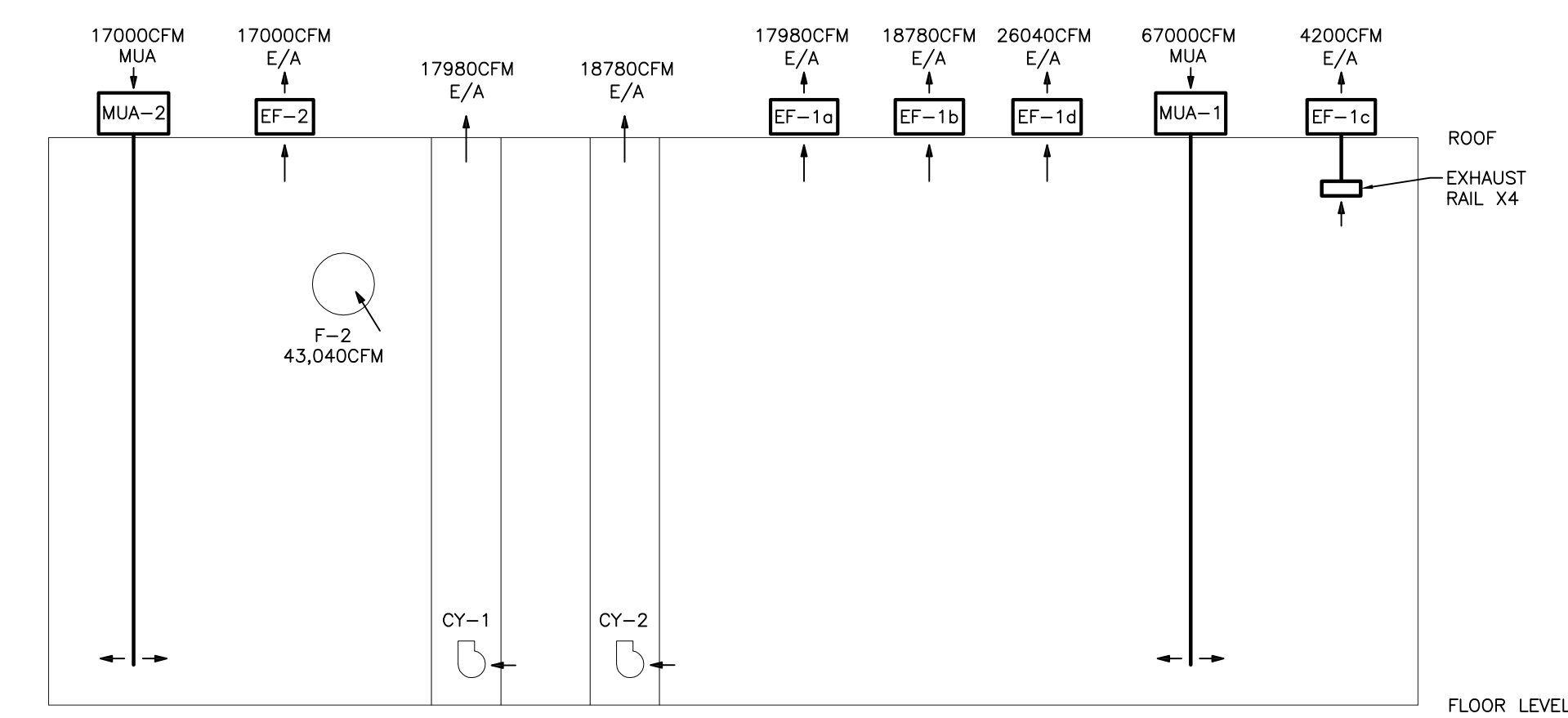
4 BUS EXHAUST RAIL - SECTION
M6.1 SCALE: N.T.S.



5 BUS EXHAUST RAIL - LONG SECTION DETAIL
M6.1 SCALE: N.T.S.

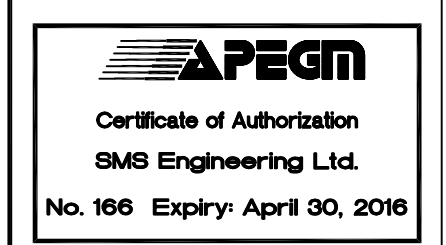


6 BUS EXHAUST RAIL - CROSS SECTION DETAIL
M6.1 SCALE: N.T.S.

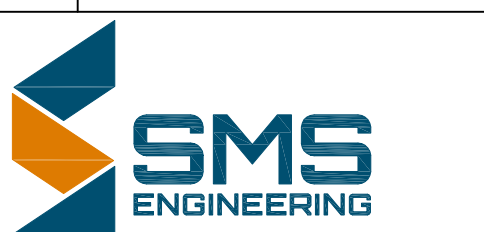


7 VENTILATION SCHEMATIC - SERVICE BAY
M6.1 SCALE: N.T.S.

6			
5			
4			
3			
2			
1			
0	ISSUED FOR CONSTRUCTION	JH	27/10/15
NO.	Description	BY	DD/MM/YY



770 Bradford Street
Winnipeg, Canada
T 204 775 0291
SMSeng.com



Project Title
**CITY OF WINNIPEG FORT ROUGE
TRANSIT BASE - SERVICE BAY AND
B-SECTION VENTILATION UPGRADE**
WINNIPEG MANITOBA

Drawing Title
**MECHANICAL SECTIONS
AND DETAILS**

Drawn By	GB/IE	Checked By	JH	Approved By	JH
Scale	AS SHOWN	Date	JULY 2014	Project No	14-194-01
Revision Number	0	Drawing Number	M6.1	Sheet Order	11 OF 11