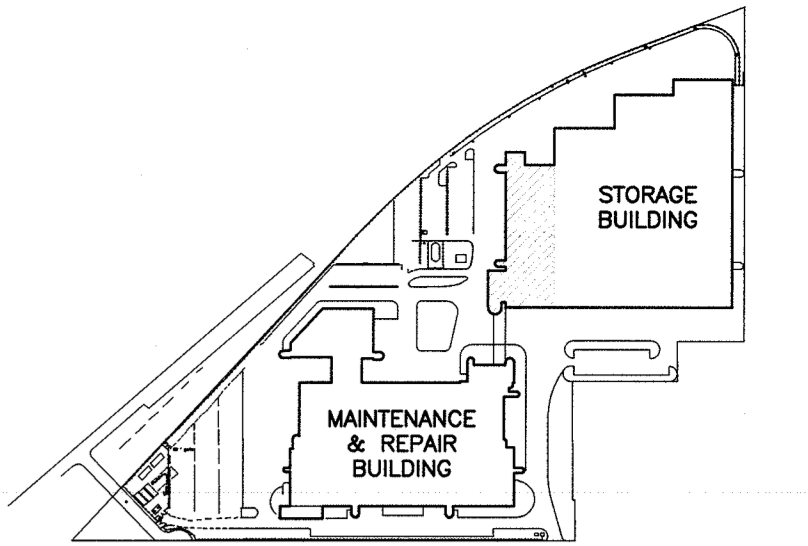
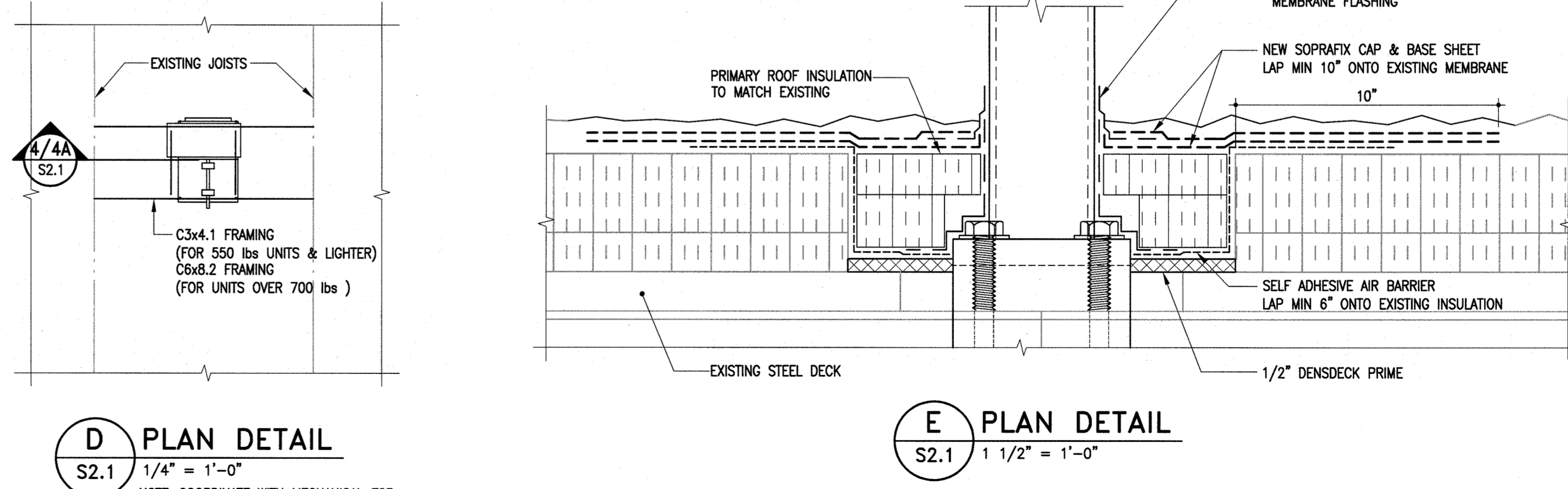
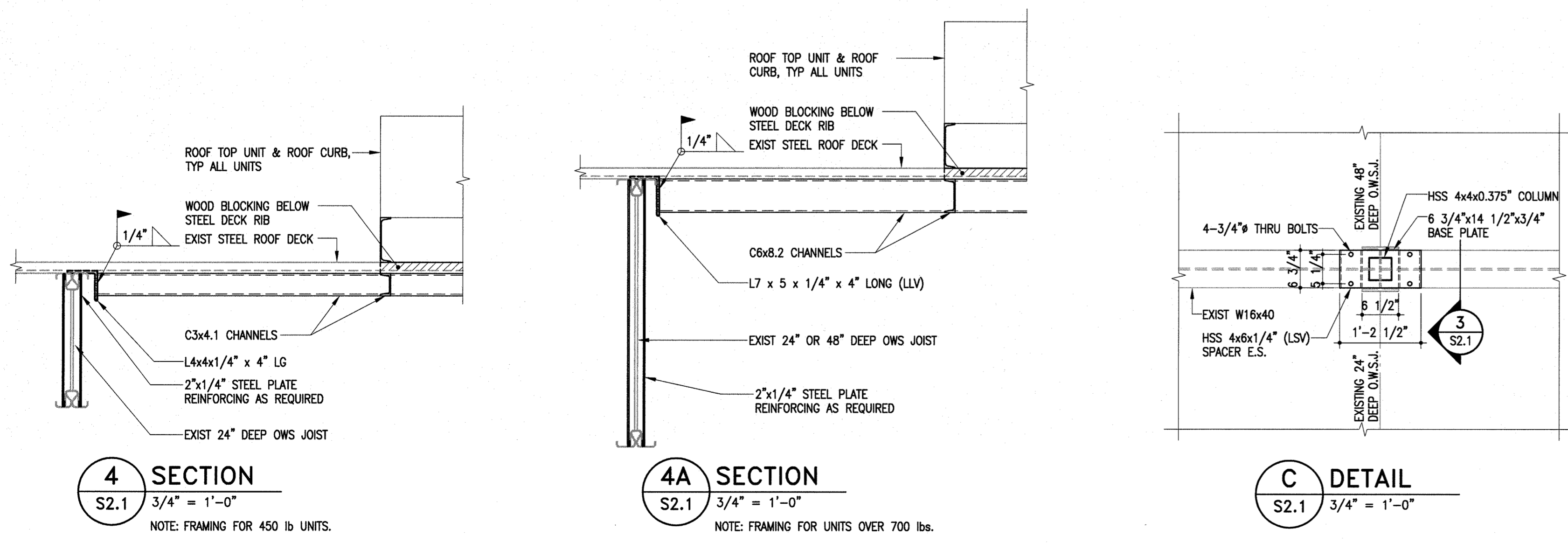


STEEL SUPPLIER TO DESIGN ALL CONNECTIONS NOT SPECIFICALLY DETAILED ON THESE DRAWINGS.

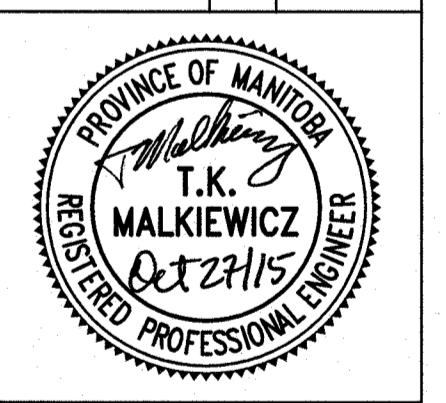
NOTE: CONTRACTOR IS TO CUT OUT EXISTING ROOFING, INSULATION & STEEL DECKING AT EACH NEW COLUMN LOCATION TO ALLOW FOR THE BASE PLATE TO BE INSTALLED DIRECTLY ON TOP OF THE NEW STEEL HSS SPACERS. ONCE THE COLUMNS ARE INSTALLED, THE CONTRACTOR IS RESPONSIBLE FOR RE-ROOFING AROUND EACH NEW COLUMN.



300-275 Carlton Street
Winnipeg, Manitoba R3C 5R6
T 204-943-7500
F 204-943-7507

Crosier Kilgour & Partners Ltd.
CONSULTING STRUCTURAL ENGINEERS

6		
5		
4		
3		
2		
1		
0	ISSUED FOR CONSTRUCTION	TKM 10/27/15
NO.	Description	BY DD/MM/YY



770 Bradford Street
Winnipeg, Manitoba
T 204-775-0291
SMSeng.com

SMS ENGINEERING



Project Title
CITY OF WINNIPEG FORT ROUGE TRANSIT BASE - SERVICE BAY & B-SECTION VENTILATION UPGRADE

WINNIPEG MANITOBA

Drawing Title
PLAN DETAILS & SECTIONS

APCGM
Certificate of Authorization
Crosier Kilgour & Partners Ltd.
No. 235 Date: 2015-10-27

Drawn By	MS/MAH	Checked By	JAL	Approved By	TKM
Scale	AS NOTED	Date	2015-10-27	Project No.	2014-0736
Revision Number	0	Drawing Number	S2.1	Sheet Order	2 OF 2