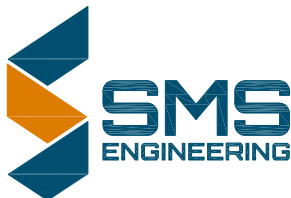


DUCT THROUGH ROOF

N.T.S.

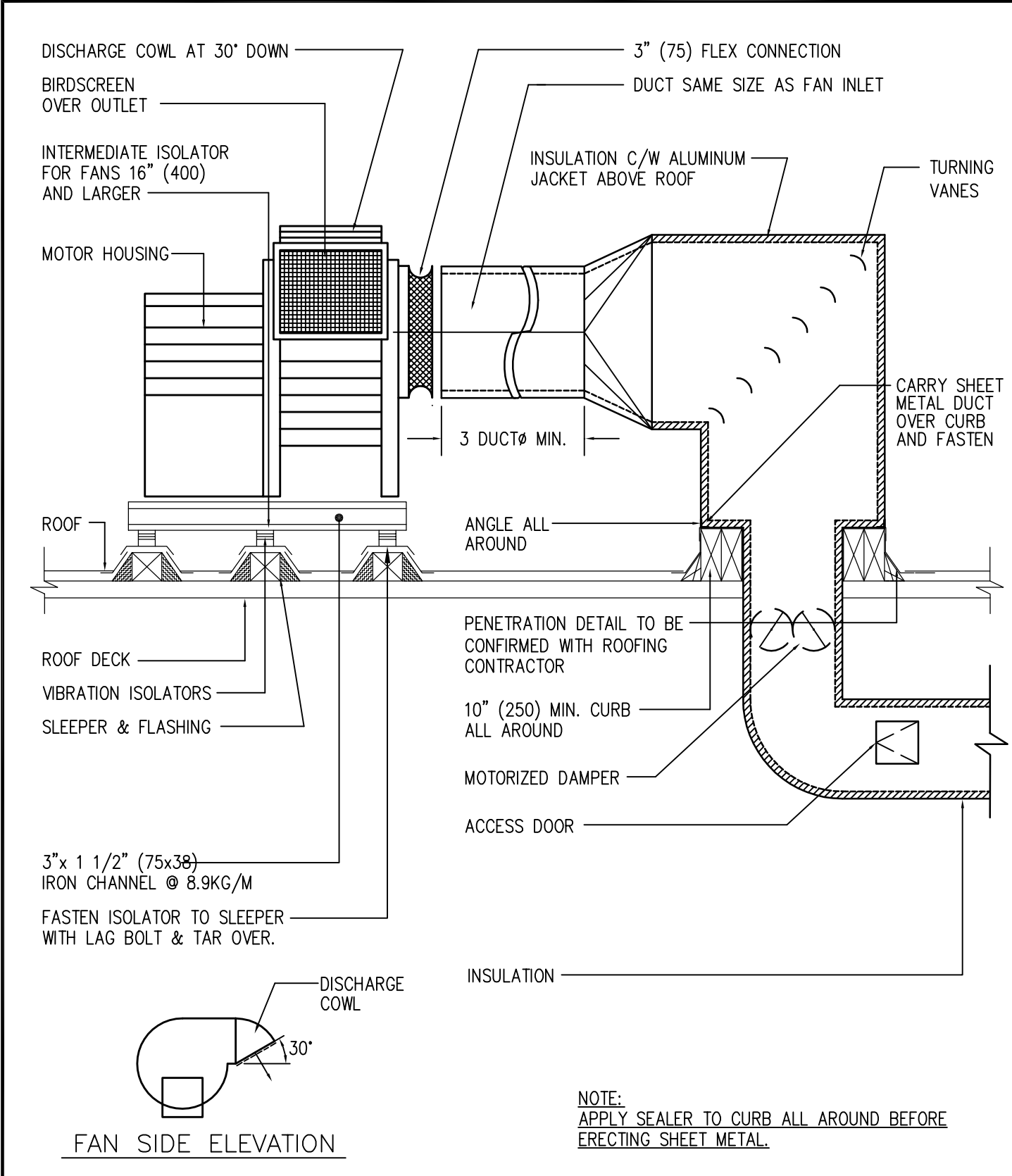
770 Bradford Street
Winnipeg, Canada
T 204 775 0291
SMSeng.com



CITY OF WINNIPEG
FORT ROUGE TRANSIT BASE
SERVICE BAY AND B-SECTION
VENTILATION UPGRADE

DUCT THROUGH ROOF

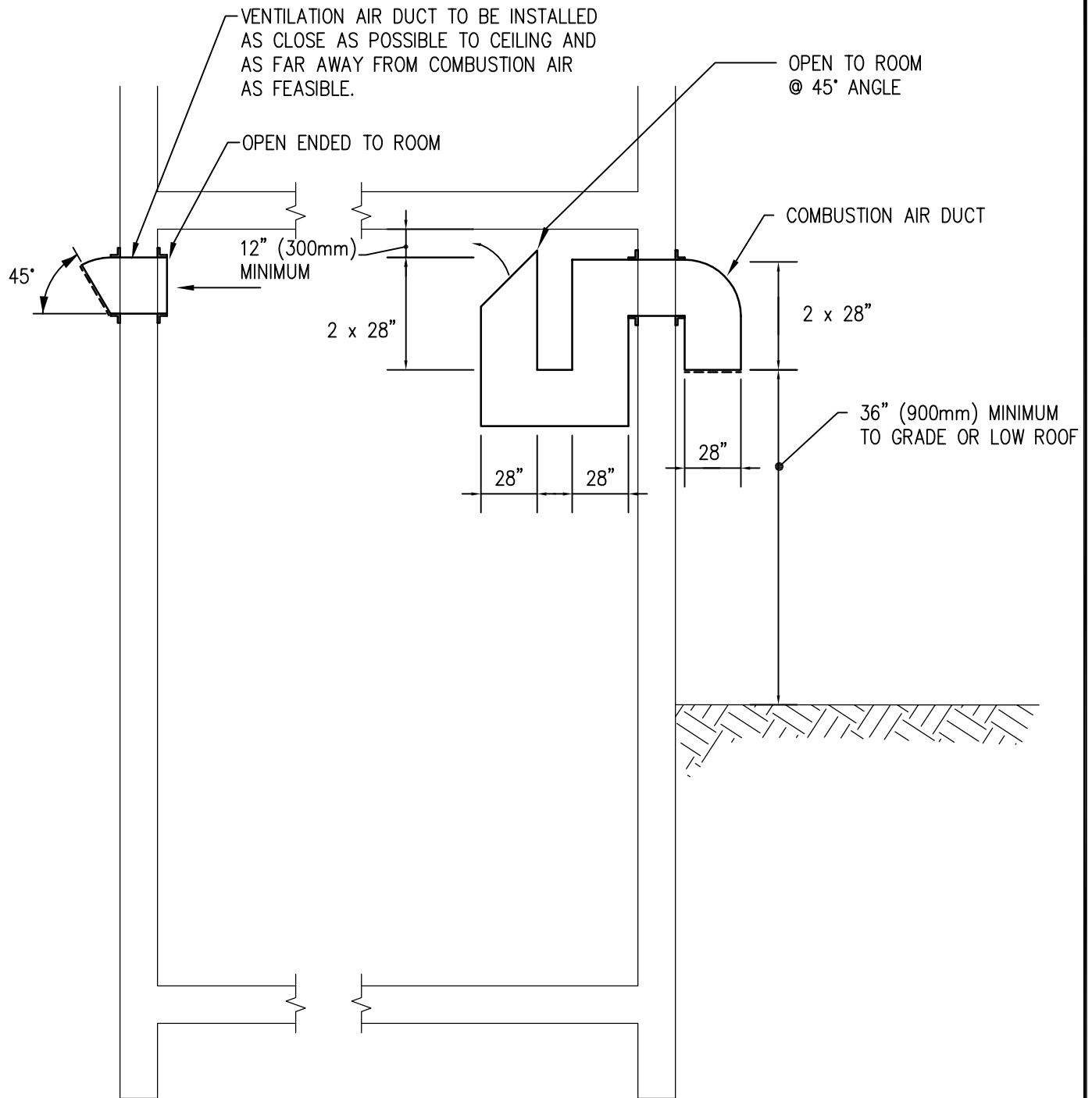
Drawn By SMS	Approved By SMS	Reference 8011
File No. 14-194-01	Date SEPT. 2014	Detail Sheet MD-1



770 Bradford Street
 Winnipeg, Canada
 T 204 775 0291
 SMSeng.com

CITY OF WINNIPEG
 FORT ROUGE TRANSIT BASE
 SERVICE BAY AND B-SECTION
 VENTILATION UPGRADE

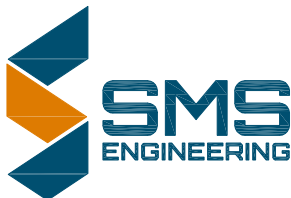
ROOF EXHAUST FAN		
Drawn By SMS	Approved By SMS	Reference 8130
File No. 14-194-01	Date SEPT. 2014	Detail Sheet MD-2



WALL SECTION

N.T.S.

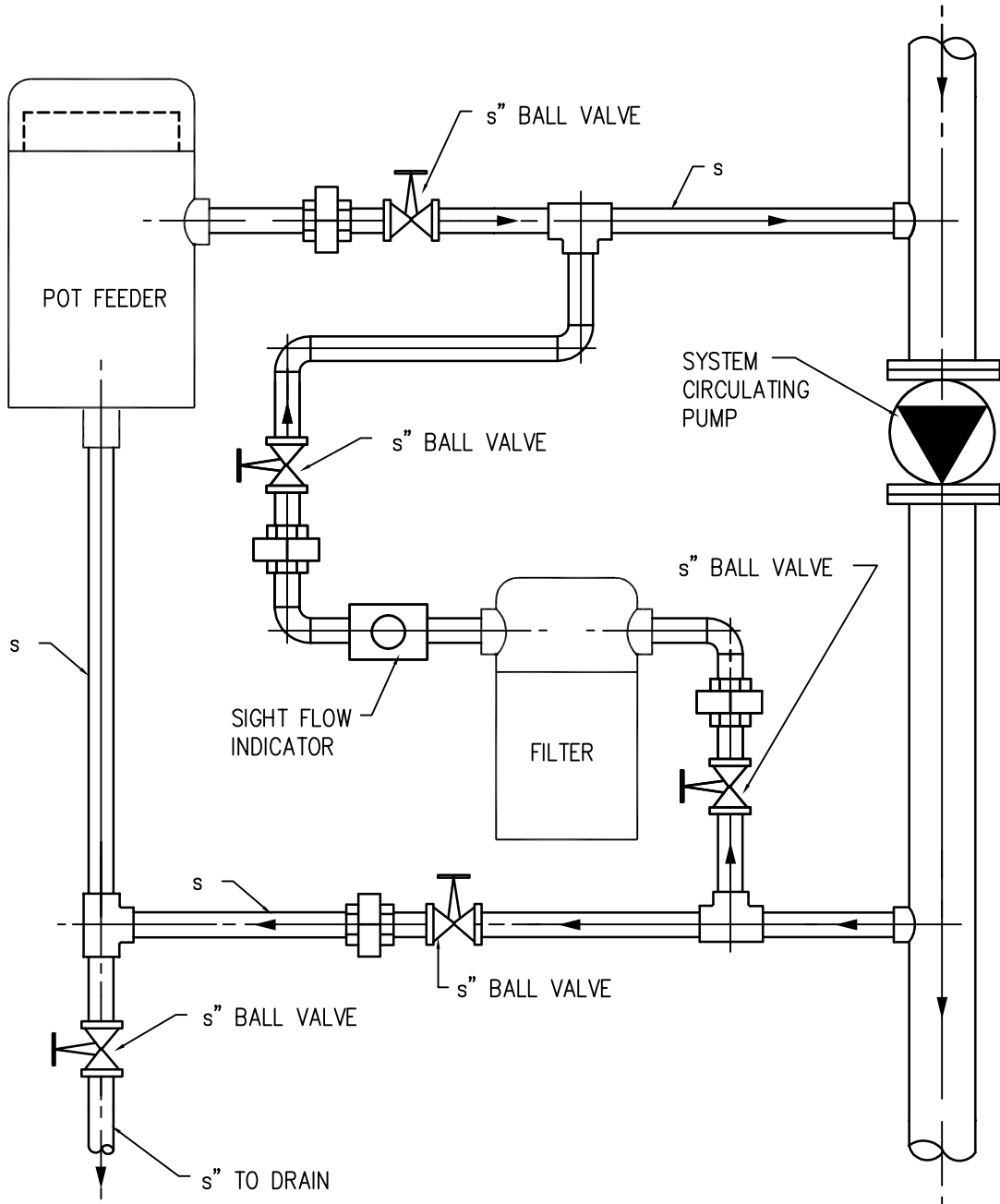
770 Bradford Street
Winnipeg, Canada
T 204 775 0291
SMSeng.com



CITY OF WINNIPEG
FORT ROUGE TRANSIT BASE
SERVICE BAY AND B-SECTION
VENTILATION UPGRADE

VENTILATION/COMBUSTION AIR DETAIL

Drawn By SMS	Approved By SMS	Reference 8251
File No. 14-194-01	Date SEPT. 2014	Detail Sheet MD-3



NOTE:
INSTALL ON GLYCOL HEATING.

CHEMICAL POT FEEDER AND FILTER

N.T.S.

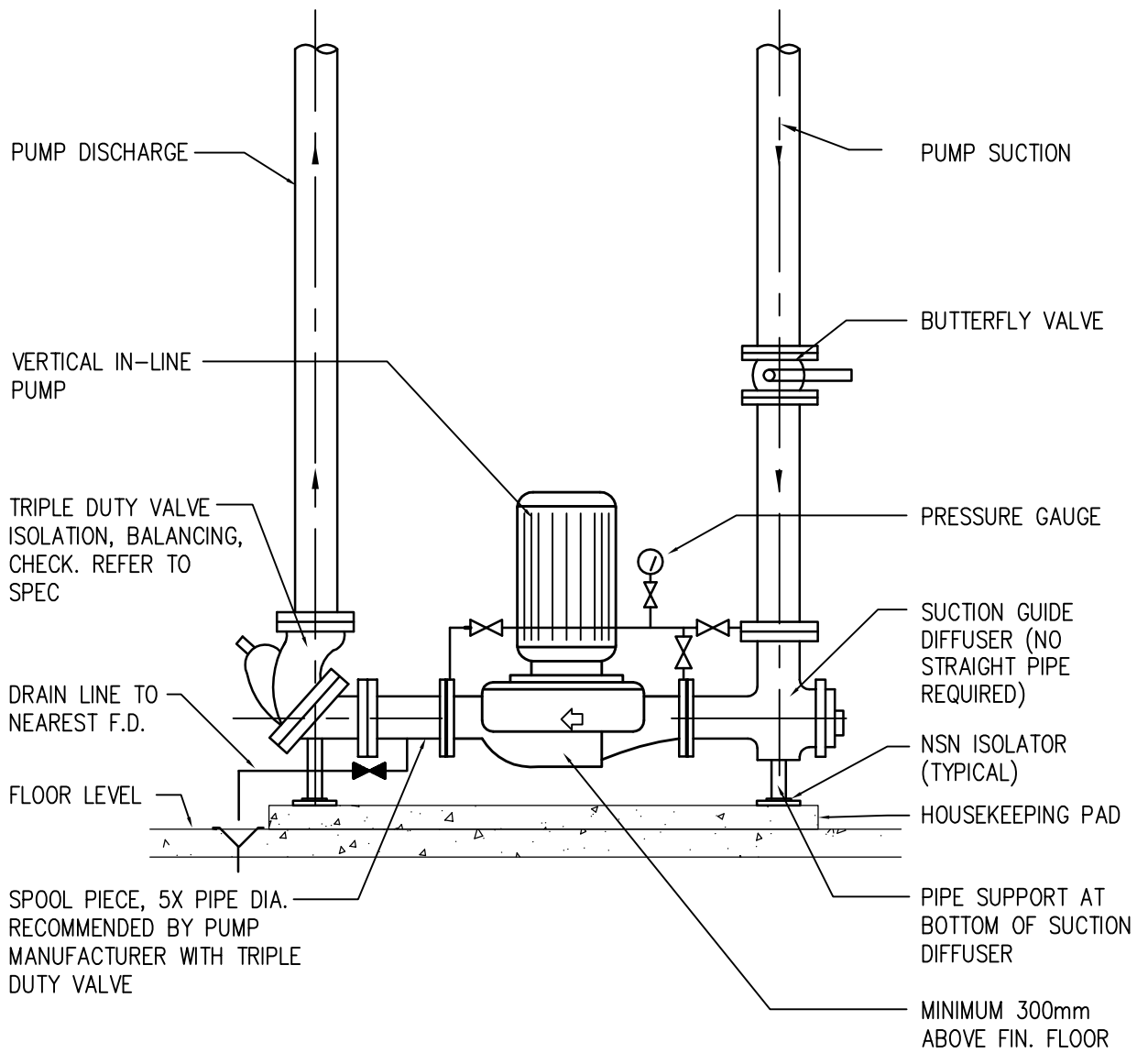
770 Bradford Street
Winnipeg, Canada
T 204 775 0291
SMSeng.com



CITY OF WINNIPEG
FORT ROUGE TRANSIT BASE
SERVICE BAY AND B-SECTION
VENTILATION UPGRADE

**CHEMICAL POT FEEDER
AND FILTER**

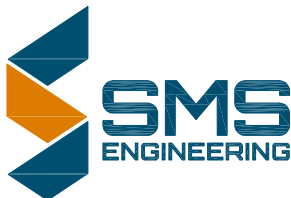
Drawn By SMS	Approved By SMS	Reference 6020
File No. 14-194-01	Date SEPT. 2014	Detail Sheet MD-4



VERTICAL IN-LINE PUMP INSTALLATION

N.T.S.

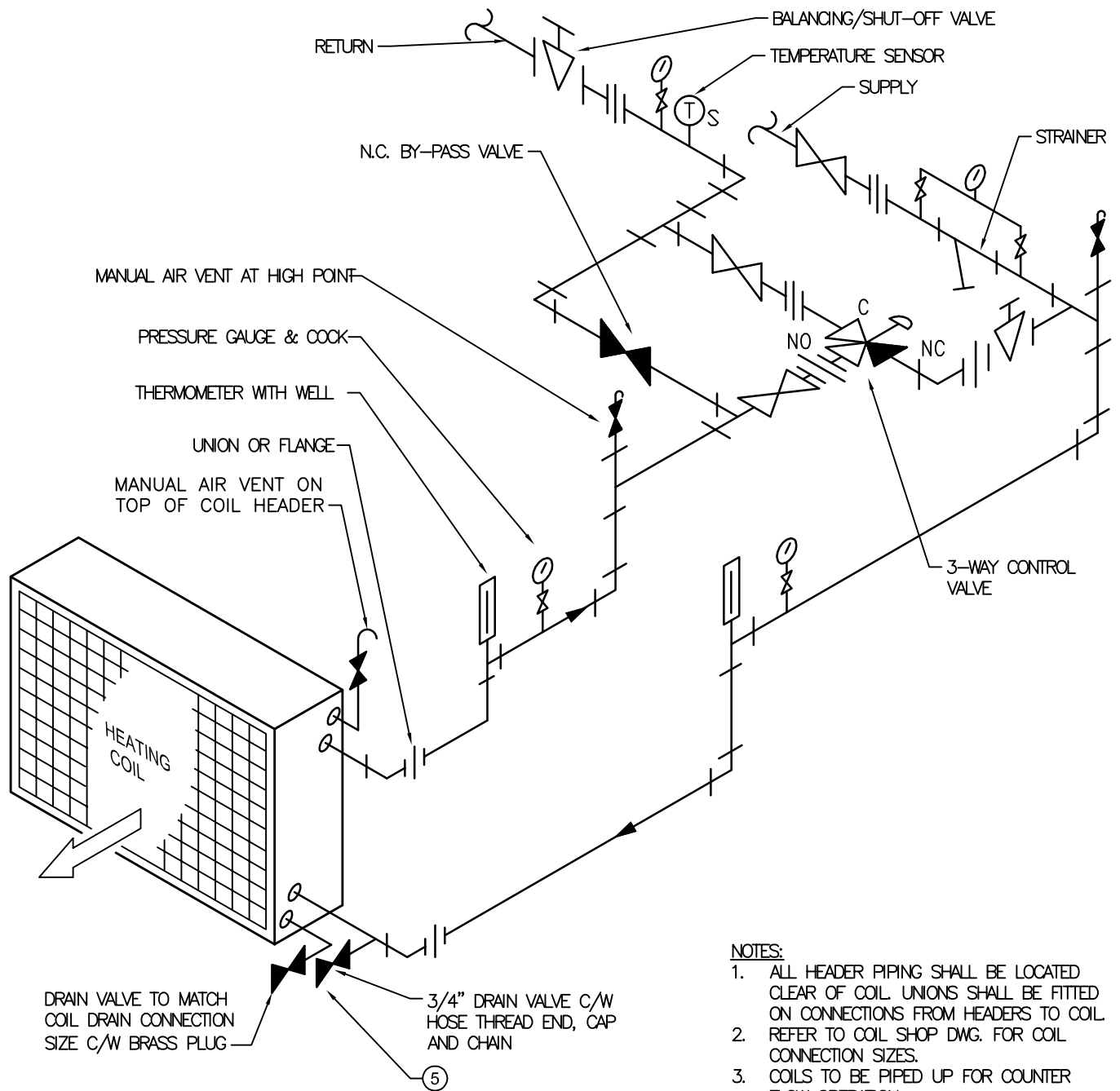
770 Bradford Street
Winnipeg, Canada
T 204 775 0291
SMSeng.com



CITY OF WINNIPEG
FORT ROUGE TRANSIT BASE
SERVICE BAY AND B-SECTION
VENTILATION UPGRADE

**VERTICAL IN-LINE PUMP DETAIL
FLOOR SUPPORT**

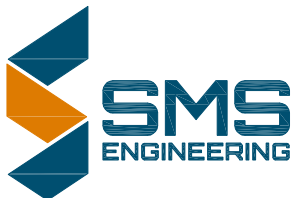
Drawn By SMS	Approved By SMS	Reference 6072
File No. 14-194-01	Date SEPT. 2014	Detail Sheet MD-5



NOTES:

1. ALL HEADER PIPING SHALL BE LOCATED CLEAR OF COIL. UNIONS SHALL BE FITTED ON CONNECTIONS FROM HEADERS TO COIL.
2. REFER TO COIL SHOP DWG. FOR COIL CONNECTION SIZES.
3. COILS TO BE PIPED UP FOR COUNTER FLOW OPERATION.
4. GRADE TUBES UP 20mm/METRE OF COIL LENGTH TOWARDS THE RETURN FOR POSITIVE VENTING.
5. NOT REQUIRED IF COIL DRAIN CONNECTION IS 3/4" OR LARGER. IN THIS CASE COIL DRAIN VALVE SHALL BE C/W HOSE THREAD END, CAP AND CHAIN.

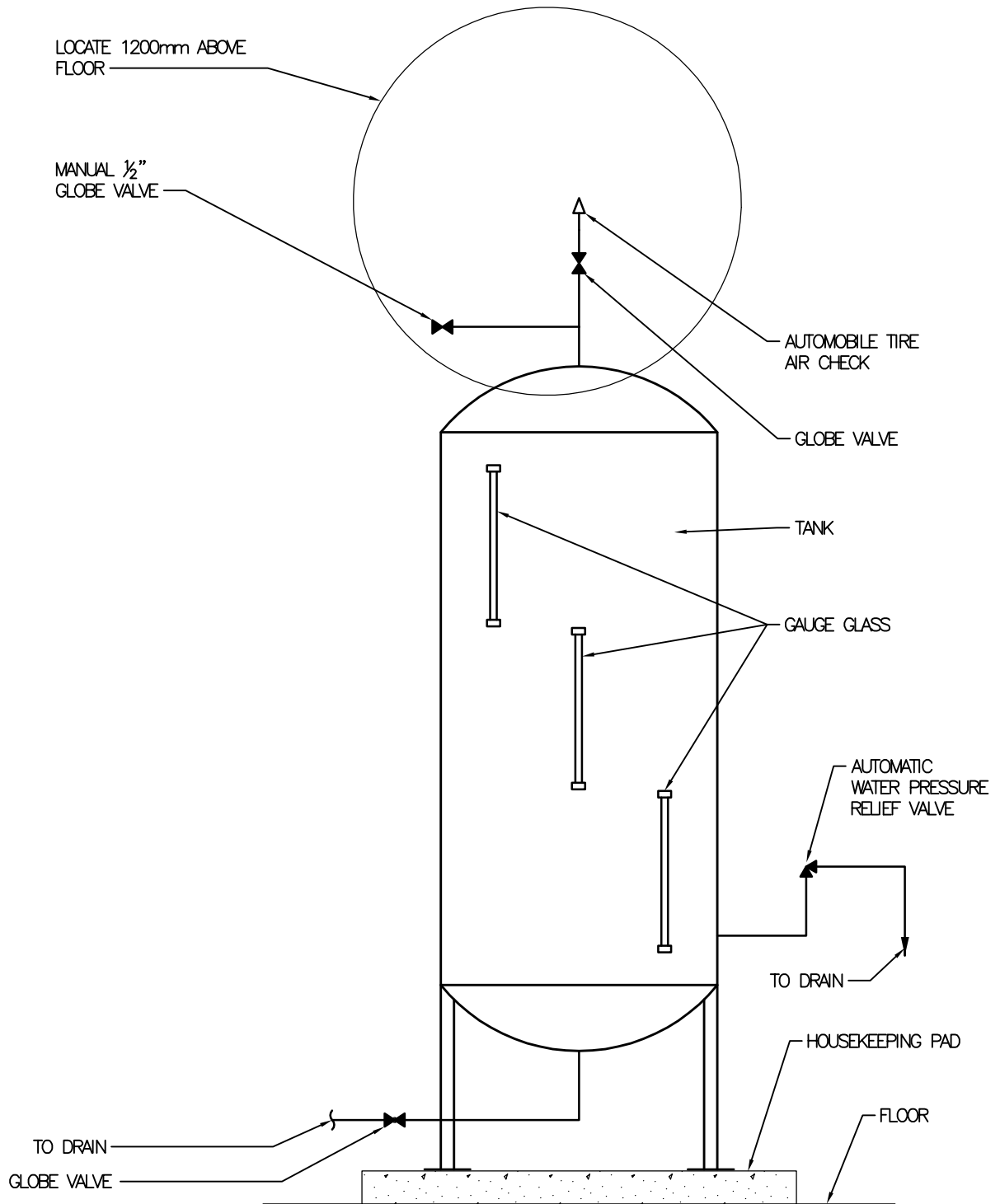
770 Bradford Street
Winnipeg, Canada
T 204 775 0291
SMSeng.com



CITY OF WINNIPEG
FORT ROUGE TRANSIT BASE
SERVICE BAY AND B-SECTION
VENTILATION UPGRADE

**GLYCOL HTG. COIL
SINGLE BANK, 3-WAY CONTROL**

Drawn By SMS	Approved By SMS	Reference 6079
File No. 14-194-01	Date SEPT. 2014	Detail Sheet MD-6



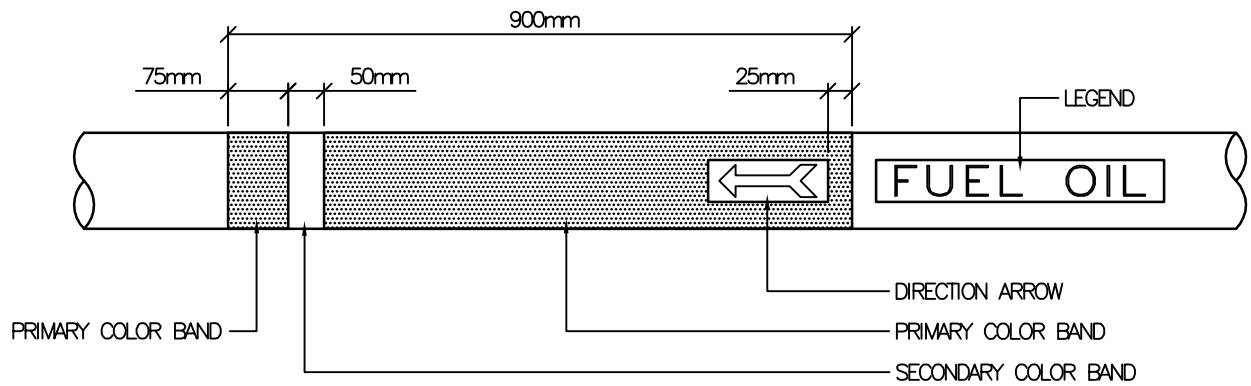
VERTICAL EXPANSION TANK - AIR CHARGED
 SCALE: NTS

770 Bradford Street
 Winnipeg, Canada
 T 204 775 0291
 SMSeng.com

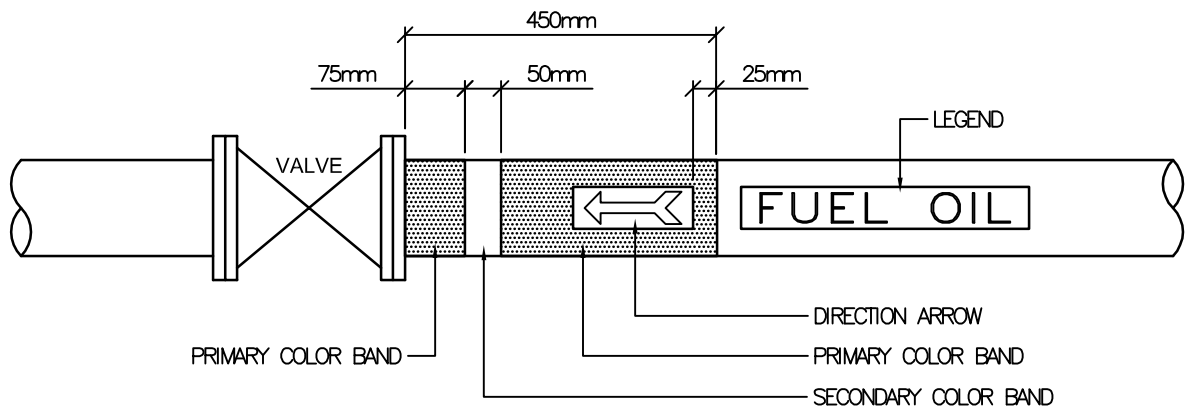


CITY OF WINNIPEG
 FORT ROUGE TRANSIT BASE
 SERVICE BAY AND B-SECTION
 VENTILATION UPGRADE

VERTICAL EXPANSION TANK - AIR CHARGED		
Drawn By SMS	Approved By SMS	Reference 6033
File No. 14-194-01	Date SEPT. 2014	Detail Sheet MD-7

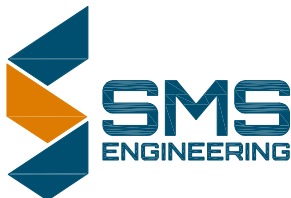


STRAIGHT PIPE RUNS



AT VALVES AND FITTINGS

770 Bradford Street
Winnipeg, Canada
T 204 775 0291
SMSeng.com



CITY OF WINNIPEG
FORT ROUGE TRANSIT BASE
SERVICE BAY AND B-SECTION
VENTILATION UPGRADE

**IDENTIFICATION OF
PIPING SYSTEMS**

Drawn By SMS	Approved By SMS	Reference 0051
File No. 14-194-01	Date SEPT. 2014	Detail Sheet MD-8