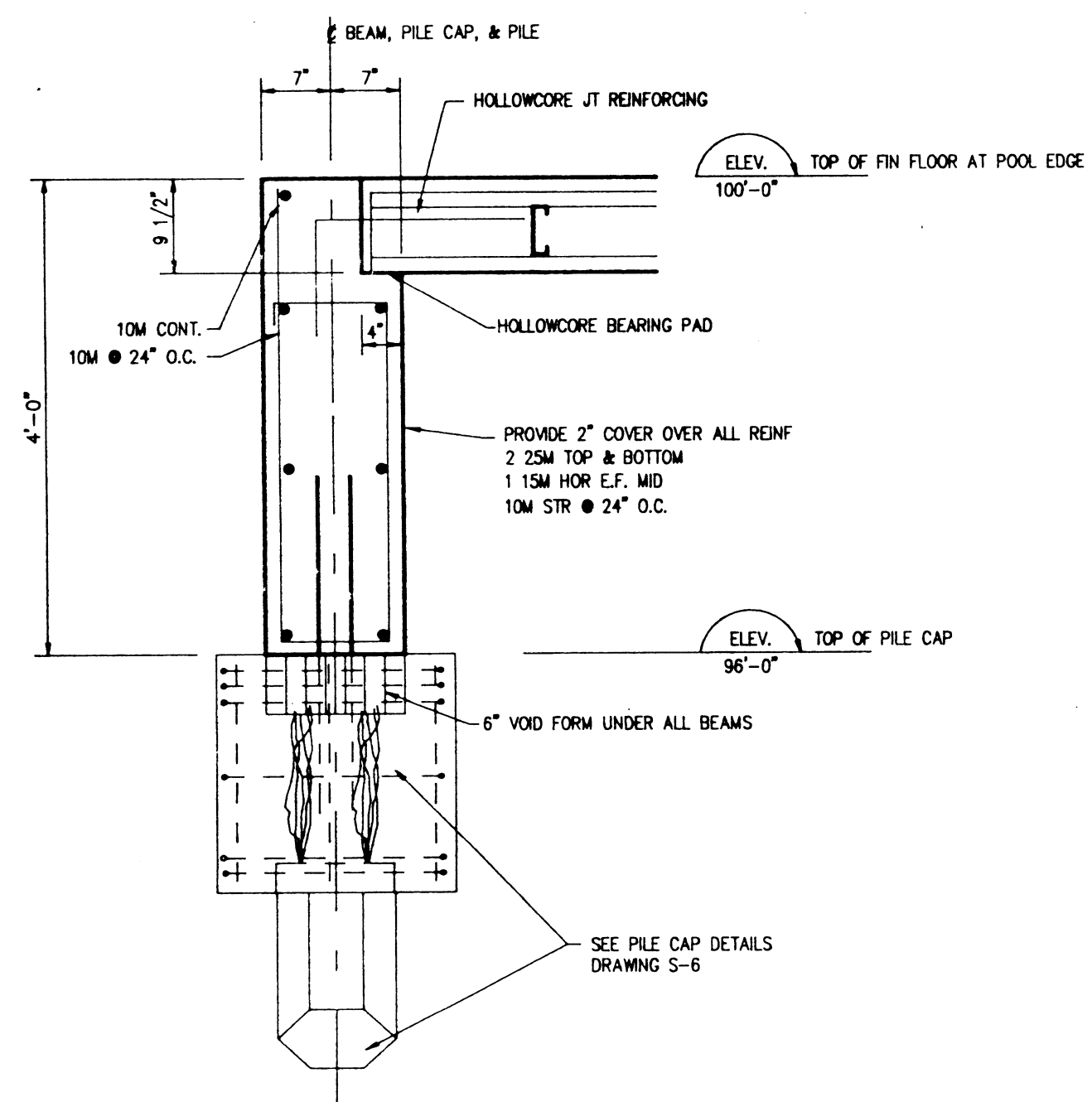
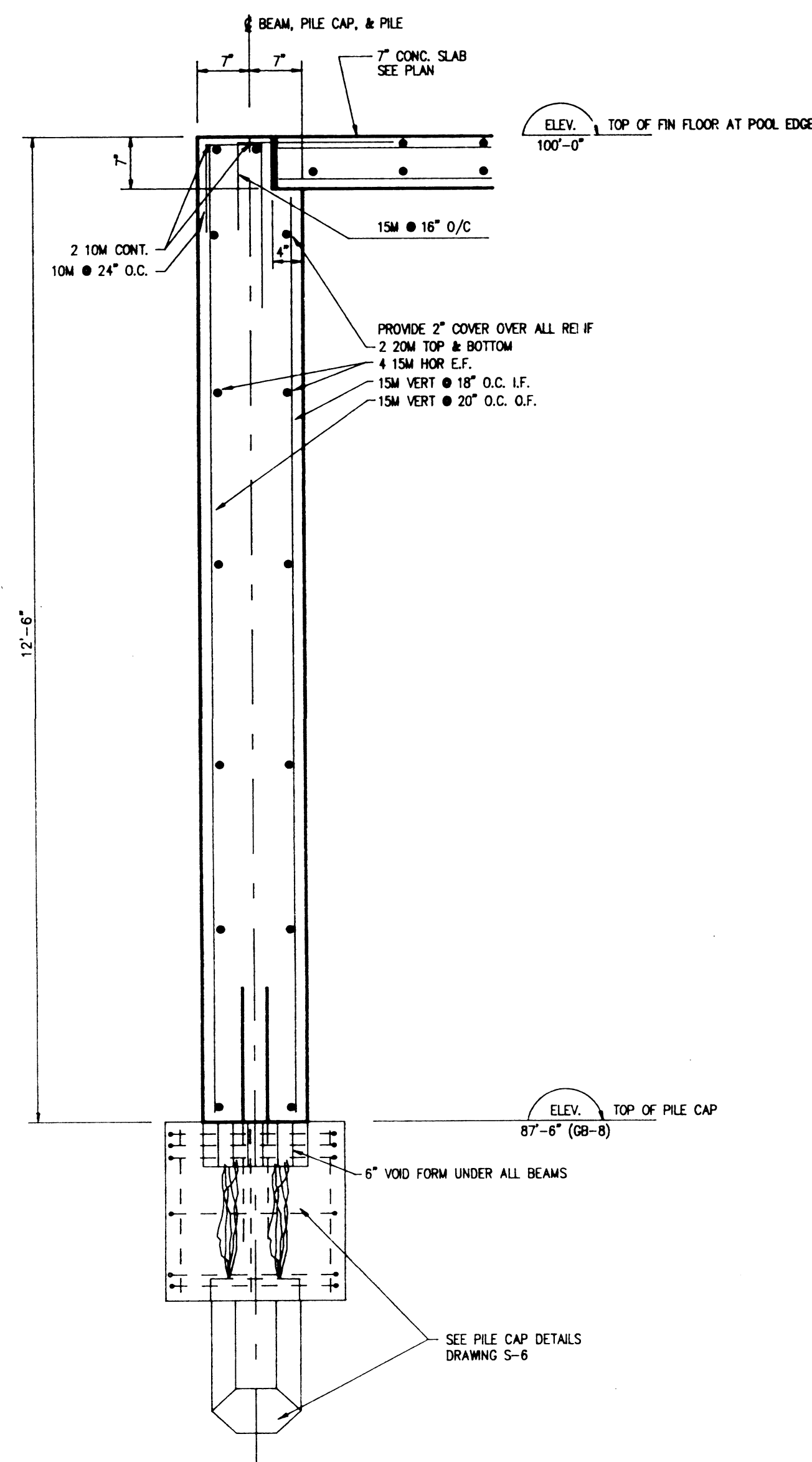


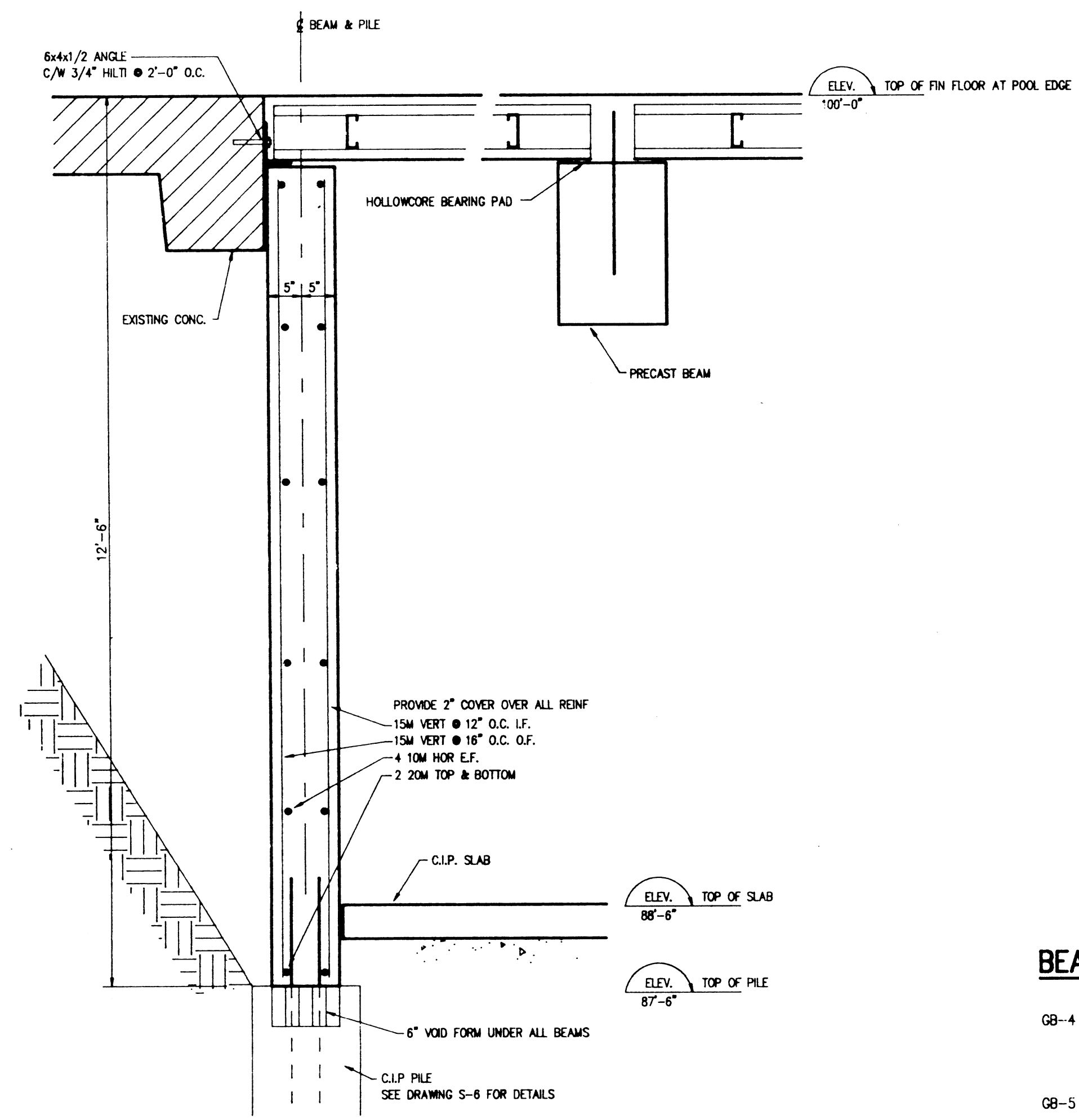
1
S10 WALL SECTION PW-7
SCALE 3/4" = 1'-0"



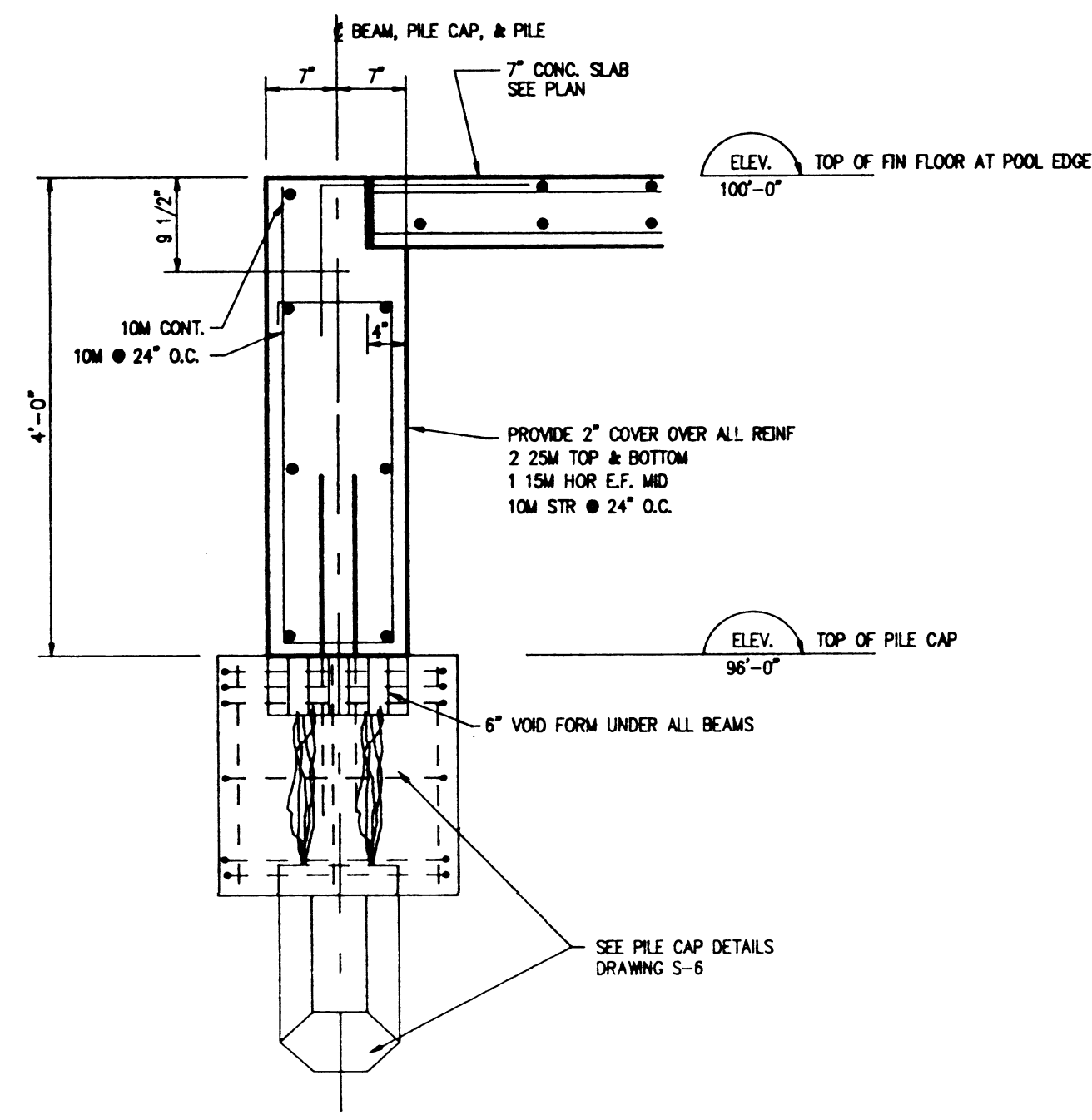
2
S10 BEAM SECTION GB-1
SCALE 3/4" = 1'-0"



3
S10 BEAM SECTION GB-8
SCALE 3/4" = 1'-0"



5
S10 BEAM SECTION GB-6
SCALE 3/4" = 1'-0"



2
S10 BEAM SECTION GB-1
SCALE 3/4" = 1'-0"

BEAM SCHEDULE

GB-4	12" x 24"	2 20M TOP & BOTTOM	10M STIRRUPS @ 12" O.C.
GB-5	8" x 12'-6"	2 15M TOP & BOTTOM	10M @ 18" O.C. E.F. HOR 10M VERT @ 18" O.C. E.F.

SWIM MANITOBA
PAN AM POOL ADDITION

ARC + CADD

JOB #	
DATE	JUNE 1, 1993
DRAWN BY	
CHKD BY	



SHEET TITLE
SECTIONS & DETAILS

SCALE	3/4"=1'-0"	SHT No.	S-10
CAD FILE	PAN00-5		
GENERAL REVISION		ISH	AUG 18/93