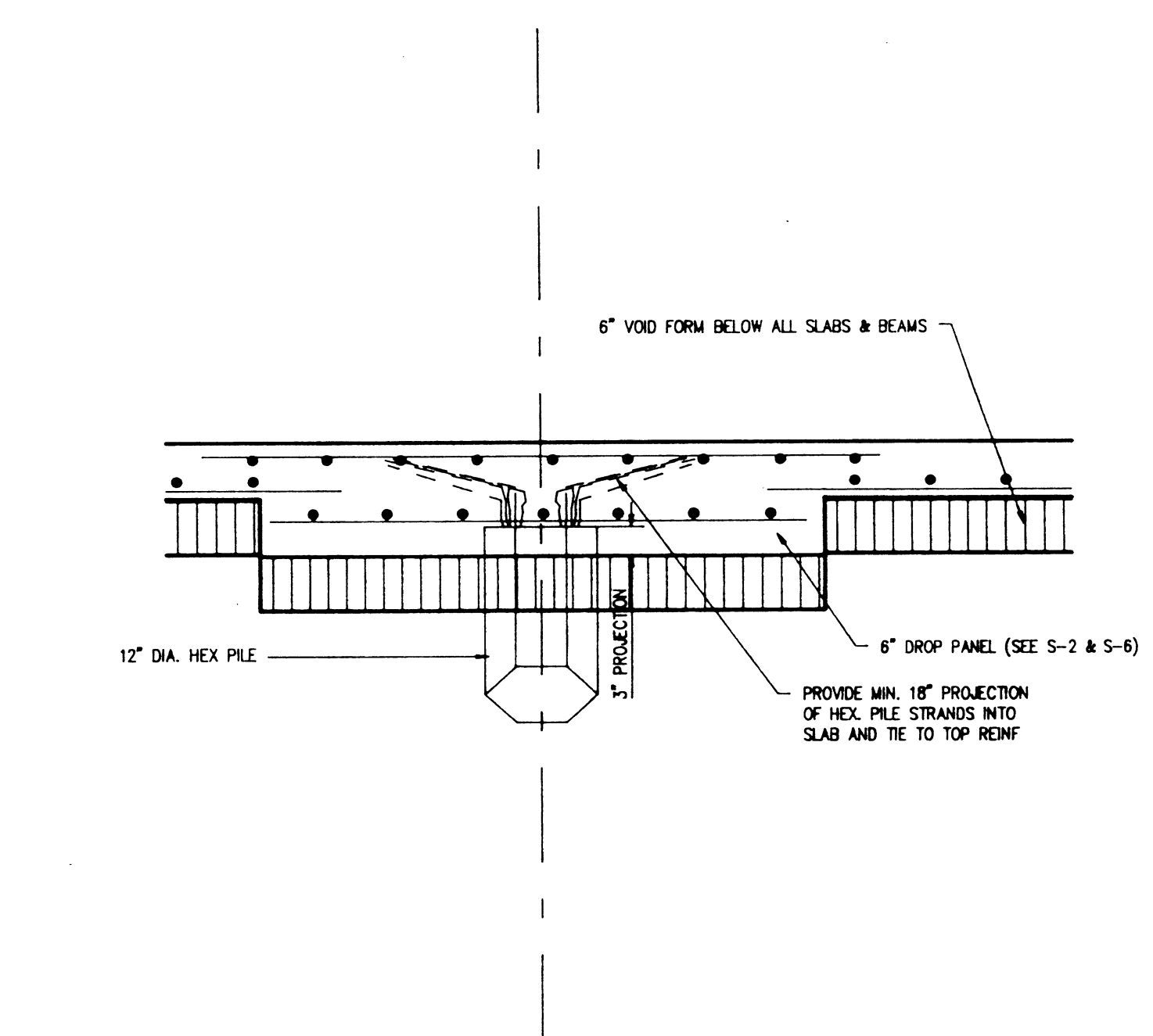
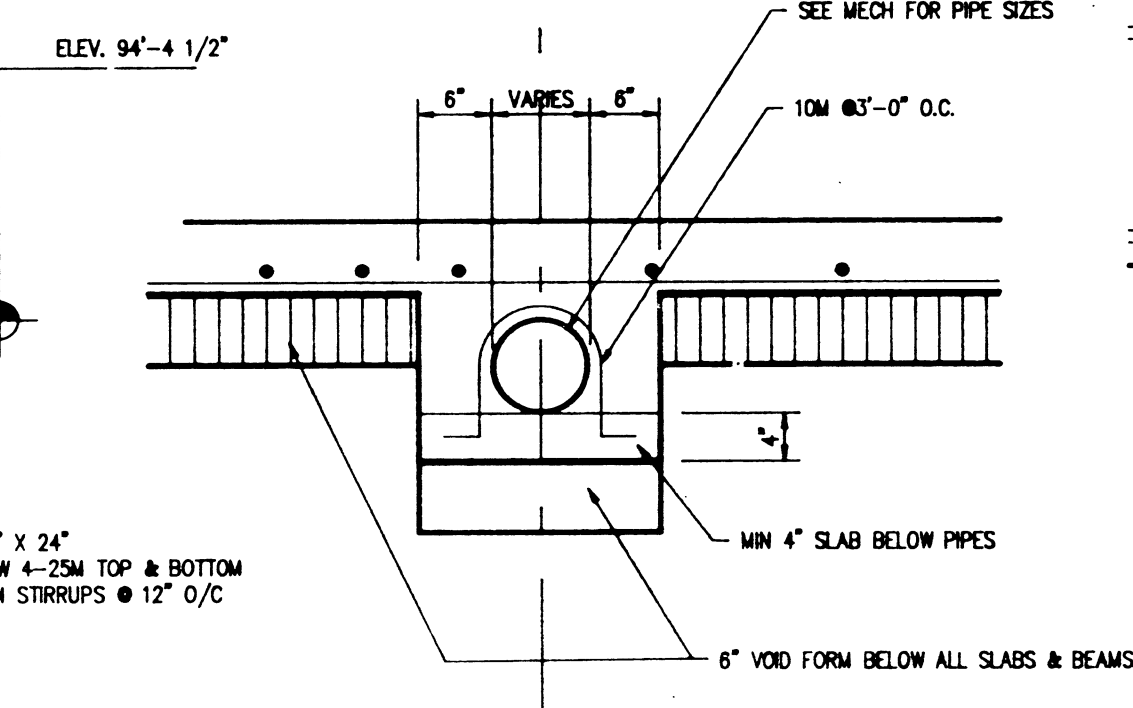


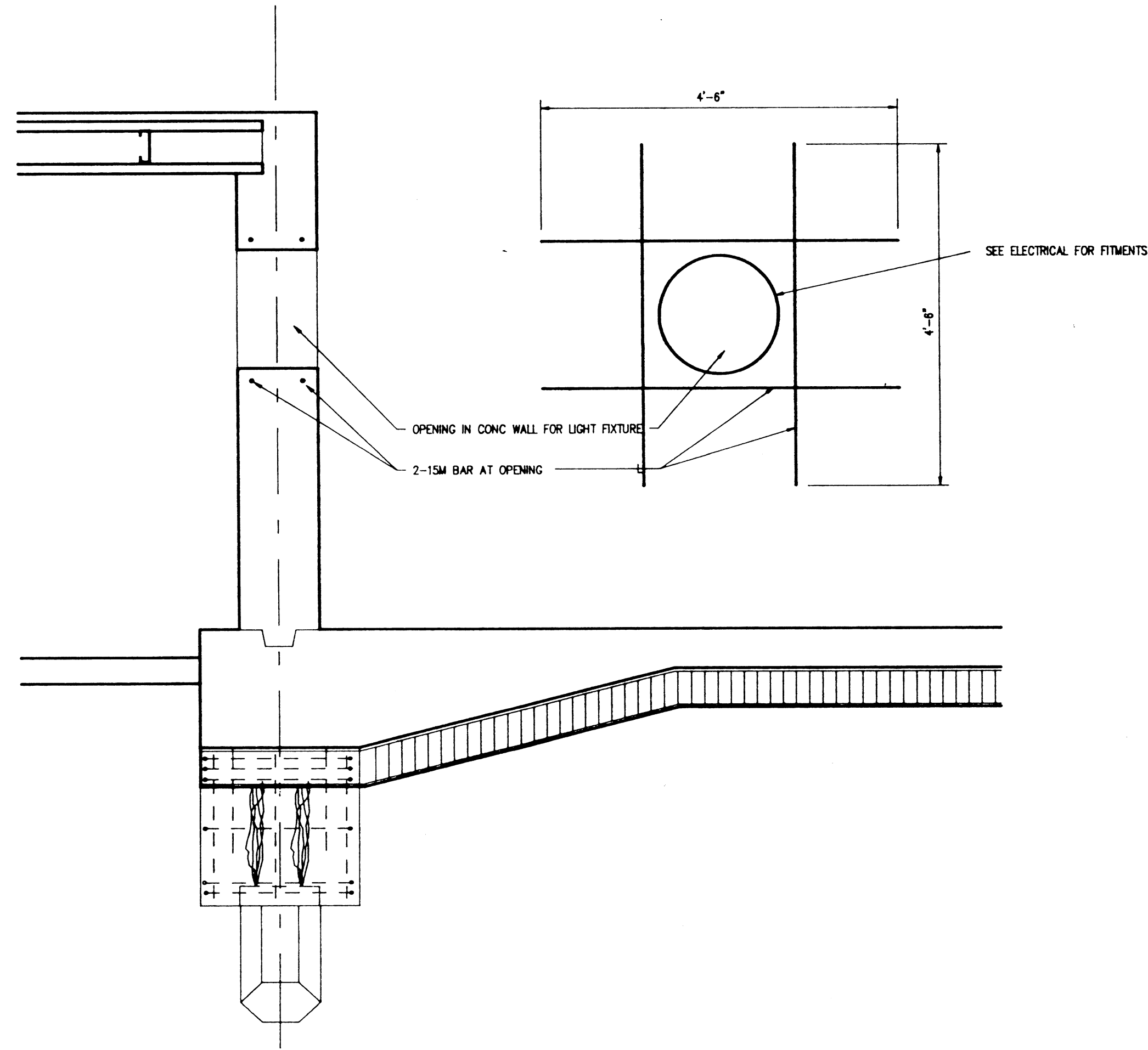
5 SECTION
SCALE 3/4" = 1'-0"



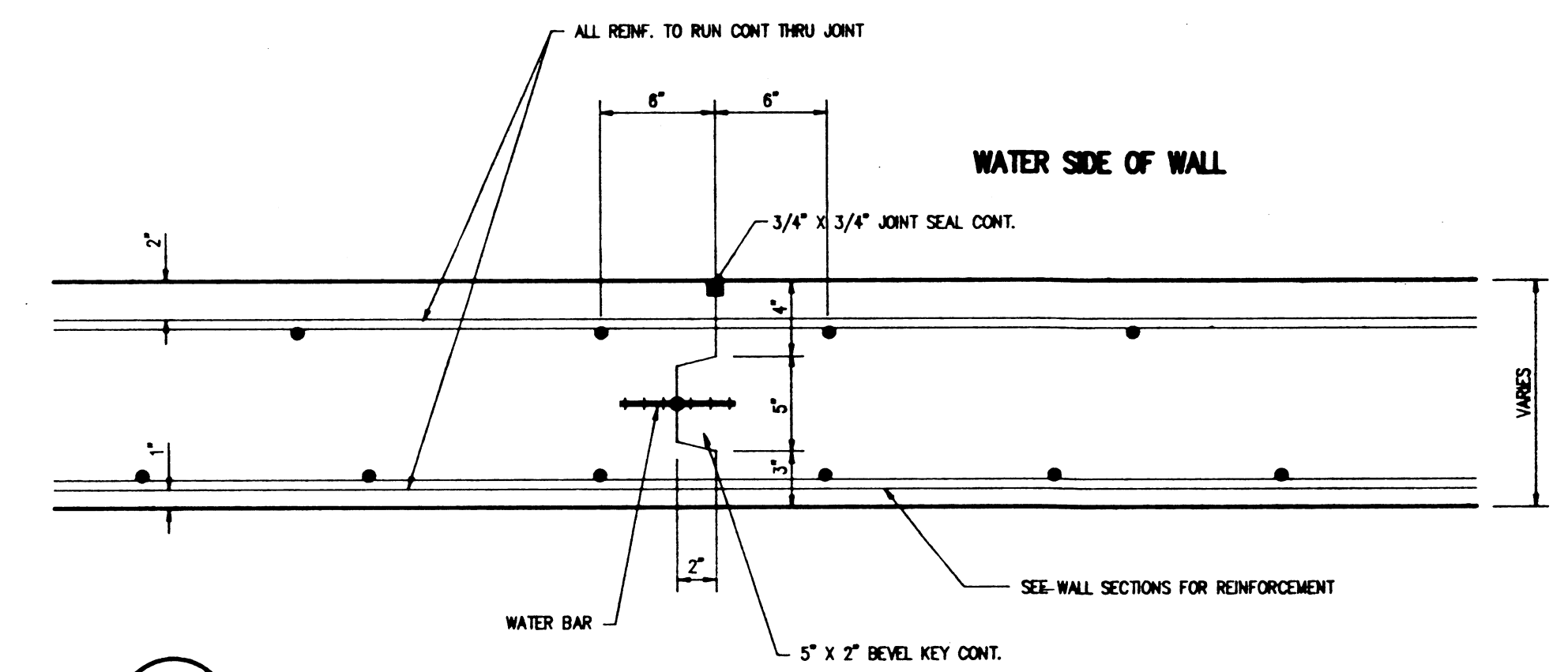
3 SECTION THRU DROP PANEL
SCALE 3/4" = 1'-0"



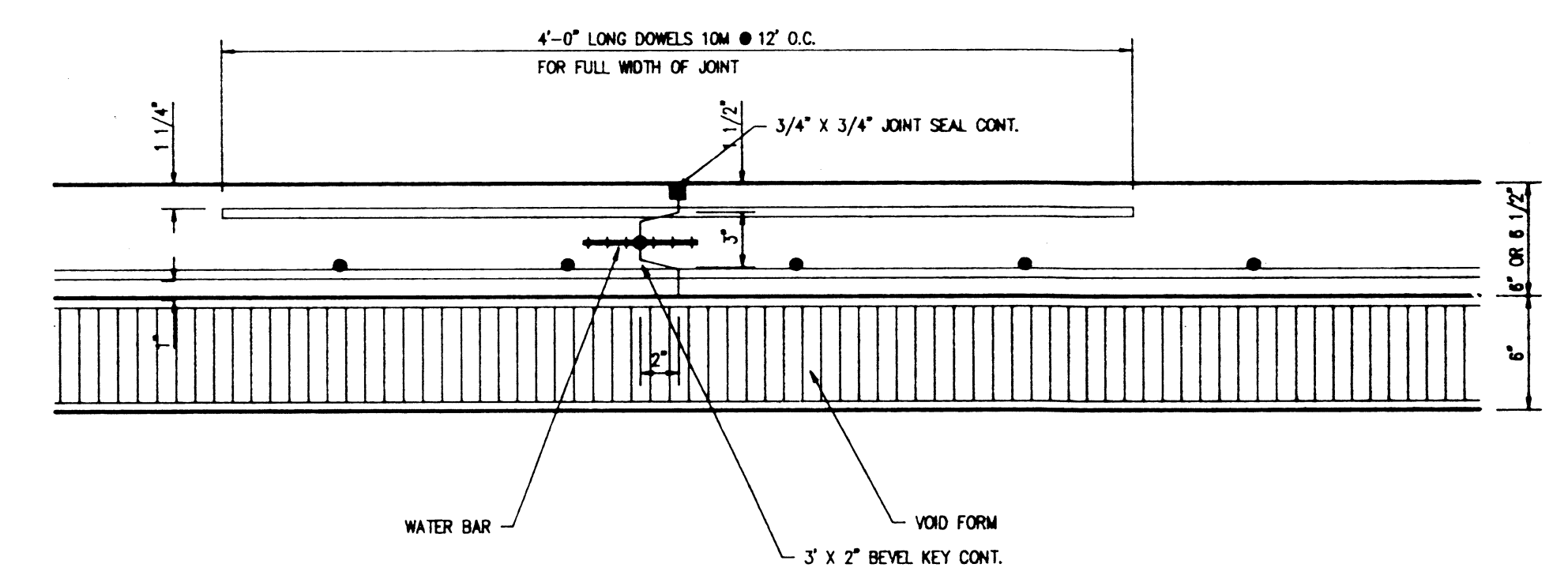
6 SECTION - BELOW POOL PIPING
SCALE 3/4" = 1'-0"



4 WALL SECTION REINFORCING FOR UNDERWATER LIGHTS
SCALE 3/4" = 1'-0"
REFER TO ARCH. & ELEC FOR SIZE AND LOCATION



1 PLAN DETAIL AT WALL POUR JOINT
SCALE 1 1/2" = 1'-0"

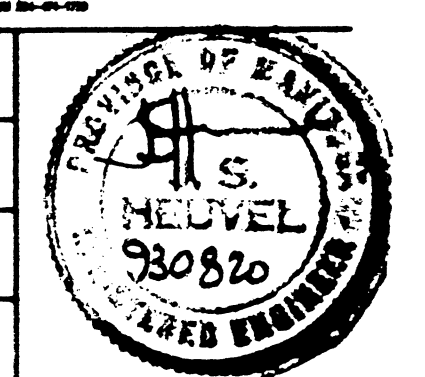


2 SECTION DETAIL AT FLOOR POUR JOINT
SCALE 1 1/2" = 1'-0"

SWIM MANITOBA
PAN AM POOL ADDITION

ARC + CADD

JOB #
DATE JUNE 1, 1993
DRAWN BY
CHKD BY



SHEET TITLE	
SECTIONS & DETAILS	
SCALE 3/4" = 1'-0"	SHT No. S-8
CAD FILE PAM04-S	
GENERAL REVISION	JSH AUG 16/93