

ELECTRICAL - SYSTEMS LAYOUT
E-104 SCALE: 1:100

SPECIFIC ELECTRICAL NOTES

- 1. FIRE ALARM PANEL.
- 2. FIRE ALARM ANNUNCIATOR PANEL.
- 3. DEDICATED MTS LINE FROM TELEPHONE PANEL FOR P.O.S.
- 4. DEDICATED MTS LINE FROM TELEPHONE PANEL FOR SERVER.
- 5. MICROPHONE FOR PUBLIC ADDRESS SYSTEM. RUN CABLING AND CONDUIT THROUGH CRAWLSPACE TO SERVER LOCATION.
- 6. SERVER RACK LOCATION. SUPPLIED AND INSTALLED BY CONTRACT ADMINISTRATOR. PUBLIC ADDRESS SYSTEM TO BE LOCATED ON RACK.
- 7. VOLUME CONTROL FOR MULTIPURPOSE ROOM SPEAKERS. RUN ONE(1) - 3/4" CONDUIT C/W PULLSTRING TO CRAWLSPACE.

GENERAL ELECTRICAL NOTES

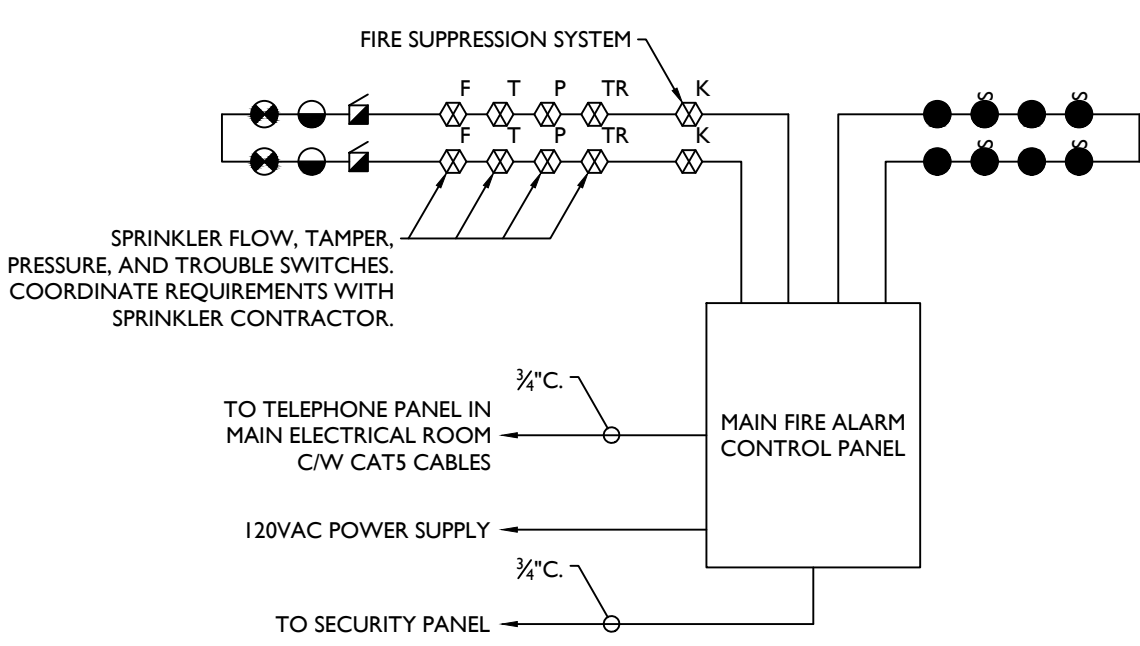
- 1. ALL OUTLETS WITHIN THE PUBLIC LIBRARY AREA ARE TO BE FED FROM THE CRAWLSPACE.

PUBLIC ADDRESS SYSTEM

- 1. PROVIDE A COMPLETE PUBLIC ADDRESS SYSTEM INSTALLATION AS INDICATED.
- 2. EXISTING CITY OF WINNIPEG PUBLIC ADDRESS SYSTEM TO BE TRANSFERRED TO THIS LOCATION. ELECTRICAL SUBCONTRACTOR IS RESPONSIBLE TO INSTALL DEVICES AS INDICATED. PROVIDE CABLING IN CONDUIT IN CRAWLSPACE FROM EACH DEVICE TO SERVER LOCATION. COORDINATE EXACT REQUIREMENTS WITH CITY OF WINNIPEG SECURITY SYSTEM REPRESENTATIVE.

SECURITY SYSTEM

- 1. PROVIDE A FULLY FUNCTIONAL SECURITY SYSTEM TO CITY OF WINNIPEG REQUIREMENTS. MANUFACTURER TO BE PEGASYS P2000 BY JOHNSON CONTROLS.
- 2. ELECTRICAL SUBCONTRACTOR TO PROVIDE CAT6 CABLING AND CONDUIT WITHIN WALLS TO CRAWLSPACE AS REQUIRED. RUN TO ELECTRICAL ROOM.
- 3. SYSTEM TO BE P2000 PEGASYS BY JOHNSON CONTROLS.
- 4. COORDINATE ALL REQUIREMENTS WITH CONTRACT ADMINISTRATOR.
- 5. ALL CAMERAS AND SECURITY SYSTEM DEVICES ARE PROVIDED BY THE CITY.

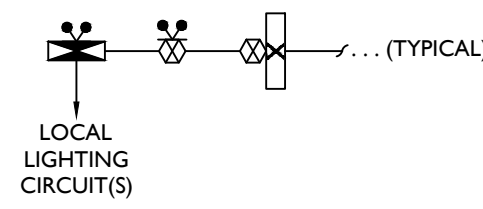


FIRE ALARM RISER
E-104 SCALE: N.T.S.

NOTE:
FIRE ALARM RISER DIAGRAM SHOWN FOR REFERENCE ONLY. REFER TO ELECTRICAL DRAWINGS FOR QUANTITIES OF DEVICES. PROVIDE ISOLATION MODULES AS REQUIRED. INSTALLATION TO MEET CAN/ULC 5524-06.

EMERGENCY LIGHTING AND SIGNAGE RISER
E-104 SCALE: N.T.S.

- NOTE:
- 1. INTERLOCK WITH NORMAL LIGHTING CIRCUITS TO ACTIVATE EMERGENCY LIGHTING AND SIGNAGE UPON LOSS OF NORMAL LIGHTING IN THE LOCAL AREA. PROVIDE ZONE SENSING RELAYS AS REQUIRED.
 - 2. ELECTRICAL CONTRACTOR TO WIRE AND CONNECT DC TO ALL EMERGENCY LIGHTING AND SIGNAGE COMPONENTS.
 - 3. PROVIDE MINIMUM 30 MINUTE BATTERY BACK-UP CAPACITY UNDER FULL LOAD.
 - 4. ELECTRICAL CONTRACTOR TO SIZE CONDUCTORS TO MEET MANUFACTURERS RECOMMENDATIONS. MAXIMUM VOLTAGE DROP OF 5%.



4		
3		
2	2017.03.03	ISSUED FOR ADDENDUM #1
1	2017.02.17	ISSUED FOR CONSTRUCTION
No.	DATE	REVISION / ISSUANCE

Consultant
CGM ENGINEERING LTD. 3-472 STRADBROOK AVENUE WINNIPEG, MB R3L 0J9 (204) 272-3255 J O B : 1 6 1 1 2 e

Architect
Cibinel Architecture Ltd
560 ACADEMY ROAD WINNIPEG, MB R3L 0E3 T. 204 989 8910 F. 204 989 8920

Owner
Winnipeg
Project
TRANSCONA LIBRARY
1500 PLESSIS ROAD, WINNIPEG, MB

Sheet Title
ELECTRICAL SYSTEMS LAYOUT

Project No. 1487 Sheet **E-104**

