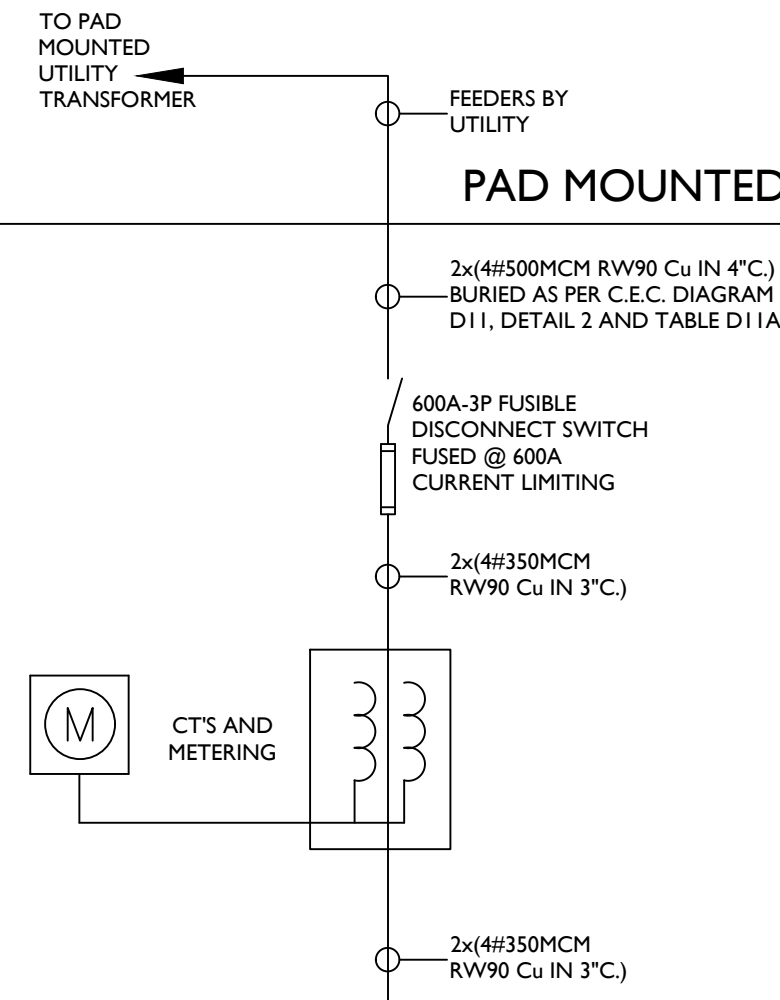


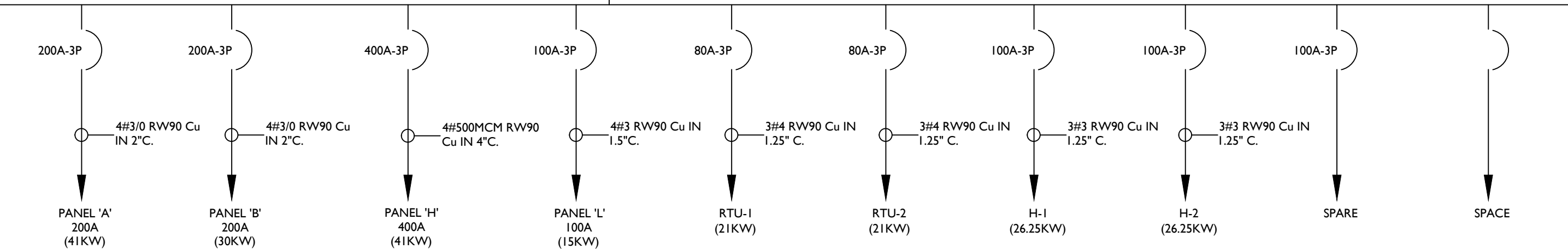
600A-120/208V-3PH-4W

PAD MOUNTED WEATHERPROOF C.S.T.E.



600A-120/208V-3PH-4W

MAIN DISTRIBUTION (MD-1)



2 SINGLE LINE RISER
E-10 SCALE: N.T.S.

ESTIMATED LOAD SUMMARY		
TOTAL AREA		±13,832 SQFT 1,285 SM
DESCRIPTION	SUMMER	WINTER
GENERAL POWER	20 KW	20 KW
LIGHTING	15 KW	15 KW
AIR CONDITIONING	51 KW	0 KW
ELECTRIC HEAT	0 KW	71 KW
EQUIPMENT	28 KW	28 KW
MECHANICAL	23 KW	23 KW
CAR RECEPTACLES	0 KW	4 KW
TOTAL LOAD [KW]	137 KW	161 KW
ESTIMATED LOAD [A] AT 120/208V-3PH-4W	381 A	447 A
ELECTRICAL SERVICE: 600A-120/208V-3PH-4W		

SYMBOL SCHEDULE

- # LINEAR LUMINAIRE. 'W' DENOTES TYPE. REFER TO LUMINAIRE SCHEDULE. 'N/L' DENOTES LUMINAIRE TO BE ON NON-SWITCHED NIGHT LIGHT CIRCUIT.
- # CEILING MOUNTED LUMINAIRE. 'W' DENOTES TYPE. REFER TO LUMINAIRE SCHEDULE.
- # WALL MOUNTED LUMINAIRE. 'W' DENOTES TYPE. REFER TO LUMINAIRE SCHEDULE.
- \$ SINGLE POLE WALL SWITCH. 'OC' DENOTES OCCUPANCY SENSOR. 'D' DENOTES DIMMER. '3' DENOTES 3-WAY SWITCH. WATTAGE TO SUIT.
- OC CEILING MOUNTED OCCUPANCY SENSOR.
- S EXISTING RELOCATED PUBLIC ADDRESS SPEAKER TO BE REINSTALLED AS INDICATED. RUN CABLE AND CONDUIT THROUGH CRAWLSPACE FROM DEVICE TO SERVER LOCATION IN ELECTRICAL ROOM.
- DUPLX RECEPTACLE C/W TWO(2) USB OUTLETS. TYPICAL FOR ALL RECEPTACLES.
- SC SEPARATE CIRCUIT DUPLX RECEPTACLE.
- USB DUPLX RECEPTACLE C/W TWO(2) INTEGRAL USB OUTLETS.
- F FLUSH FLOOR MOUNTED DUPLX RECEPTACLE C/W TWO(2) INTEGRAL USB OUTLETS. MANUFACTURER TO BE HUBBELL.
- WP WEATHERPROOF DUPLX RECEPTACLE.
- IPLC IPLC (INTELLIGENT PARKING LOT CONTROLLER) DUPLX RECEPTACLE. RECEPTACLE IS TO BE PROGRAMMED TO LIMIT CURRENT DRAW TO BLOCK HEATER ONLY.
- 3 DUPLX RECEPTACLE MOUNTED ABOVE COUNTER. REFER TO ARCHITECTURAL ELEVATIONS.
- h DUPLX RECEPTACLE MOUNTED AT HIGH LEVEL. REFER TO ARCHITECTURAL ELEVATIONS.
- C CEILING MOUNTED DUPLX RECEPTACLE.
- M FOURPLEX RECEPTACLE.
- M MICROWAVE RECEPTACLE. REFER TO ARCHITECTURAL ELEVATIONS.
- G.F.C.I. PROTECTED DUPLX RECEPTACLE.
- T-SLOT DUPLX RECEPTACLE WIRE TO A 20A-1P CIRCUIT BREAKER.
- DATA OUTLET C/W COVERPLATE. RUN TWO(2) CAT6 CABLES TO SERVER LOCATION. PROVIDE RJ45 JACKS, TERMINATIONS, AND TESTING. 'WIP' DENOTES WIRE ACCESS POINT MOUNTED AT 11'0" A.F.F. CABLING SHALL BE: PANDUIT, NORDX/CDT, BELDEN, AMP-NETCONNECT OR COMSCOPE-SYSTEMAX.
- PM MICROPHONE JACK. PROVIDE ONE(1) - 3/4" CONDUIT AND CABLING IN CRAWLSPACE TO PUBLIC ADDRESS SYSTEM LOCATED IN SERVER ROOM.
- TELEPHONE/CATV PANELS STACKED. PROVIDE FIRE RETARDANT PLYWOOD BACKBOARD TO UTILITY SATISFACTION. RUN PVC CONDUITS FROM TELEPHONE UTILITY PEDESTAL TO LEFT HAND SIDE OF BACKBOARD. COORDINATE ALL REQUIREMENTS WITH TELEPHONE AND CATV UTILITIES ON SITE.
- JUNCTION BOX.
- DW DISHWASHER.
- HD HAND DRYER - QUIET TYPE. MANUFACTURER: XLERATOR XL-SB-1-IN-120.
- MOTOR. REFER TO MECHANICAL SCHEDULE. COORDINATE EXACT LOCATION AND REQUIREMENTS WITH EQUIPMENT INSTALLER.
- DISCONNECT SWITCH - SUPPLIED BY ELECTRICAL CONTRACTOR. REFER TO MECHANICAL SCHEDULE. COORDINATE EXACT REQUIREMENTS WITH EQUIPMENT INSTALLER.
- MOTORIZED DAMPER PROVIDED BY MECHANICAL WIRE AND CONNECT AS REQUIRED.
- VOLUME CONTROL.
- FIRE ALARM CARBON MONOXIDE DETECTOR POWERED BY FIRE ALARM PANEL C/W SOUNDER BASE. CO DETECTION SHALL BE TO HBC 6.2.4.2 AND NFPA 720.
- FIRE ALARM PULL STATION DEVICE.
- FIRE ALARM SMOKE DETECTOR. 'CO' DENOTES CARBON MONOXIDE DETECTOR.
- FIRE ALARM HEAT DETECTOR. 'FT' DENOTES FIXED TEMP. 'MP' DENOTES MOISTURE PROOF.
- FIRE ALARM HORN/STROBE DEVICE. 'S' DENOTES STROBE ONLY.
- EMERGENCY LIGHTING BATTERY BANK C/W DOUBLE LED HEADS. 12V. WATTAGE TO SUIT. REFER TO EMERGENCY LIGHTING AND SIGNAGE RISER.
- DOUBLE LED EMERGENCY HEADS. WIRE TO BATTERY BANK. 12V. 'R' DENOTES RECESSED TYPE. REFER TO EMERGENCY LIGHTING AND SIGNAGE RISER.
- LED EGRESS SIGN. WIRE TO BATTERY BANK. REFER TO EMERGENCY LIGHTING AND SIGNAGE RISER.
- SECURITY SYSTEM CARD READER. PROVIDE ONE(1) 3/4" CONDUIT C/W PULLSTRING TO ALARM JUNCTION BOX IN CEILING SPACE. PROVIDE 120V POWER TO ALL STRIKES.

PANEL 'A'					
200A-120/208V-3PH-4W					
SURFACE MOUNTED IN MECHANICAL/ELECTRICAL ROOM 107					
DESCRIPTION	CIRCUIT BREAKER	PHASE A B C	CIRCUIT BREAKER	DESCRIPTION	
OPEN SIGN SC RECEPTACLE	15	1	2	15	EXTERIOR RECEPTACLE
AUTOMATIC DOOR	15	3	4	15	BAS CONTROL PANEL
AUTOMATIC DOOR	15	5	6	15	AHU-1
IPLC CAR RECEPTACLE	15	7	8	15	EF-2
IPLC CAR RECEPTACLE	15	9	10	15	CU-1
IPLC CAR RECEPTACLE	15	11	12	20	SF-1
SPARE	20	13	14	15	SP-1A/B
SPARE	15	15	16	20	EF-3
MONITOR	15	17	18	15	SPARE
MONITOR	15	19	20	15	SPARE
MONITOR	15	21	22	15	SPARE
BARRIER FREE DOOR OPERATOR	15	23	24	15	SELF CHECKOUT STATION
BARRIER FREE DOOR OPERATOR	15	25	26	15	SPARE
BARRIER FREE DOOR OPERATOR	15	27	28	15	SELF CHECKOUT STATION
BARRIER FREE DOOR OPERATOR	15	29	30	15	SPARE
BARRIER FREE DOOR OPERATOR	15	31	32	15	SELF CHECKOUT STATION
BARRIER FREE DOOR OPERATOR	15	33	34	15	SPARE
BARRIER FREE DOOR OPERATOR	15	35	36	15	SPARE
SPARE	15	37	38	15	RECEPTACLES
SPARE	20	39	40	15	SC RECEPTACLE
GF T-SLOT RECEPTACLE	20	41	42	15	PHONE CHARGING STATION
MICROWAVE RECEPTACLE	20	43	44	15	COMPUTER WORKSTATION RECEPTACLE
REFRIGERATOR RECEPTACLE	15	45	46	15	COMPUTER WORKSTATION RECEPTACLE
HAND DRYER	20	47	48	15	COMPUTER WORKSTATION RECEPTACLE
GF RECEPTACLE	15	49	50	15	COMPUTER WORKSTATION RECEPTACLE
COMPUTER WORKSTATION RECEPTACLE	15	51	52	15	COMPUTER WORKSTATION RECEPTACLE
COMPUTER WORKSTATION RECEPTACLE	15	53	54	15	COMPUTER WORKSTATION RECEPTACLE
COMPUTER WORKSTATION RECEPTACLE	15	55	56	15	SC RECEPTACLE
COMPUTER WORKSTATION RECEPTACLE	15	57	58	15	SC RECEPTACLE
COMPUTER WORKSTATION RECEPTACLE	15	59	60	15	SC RECEPTACLE
COMPUTER WORKSTATION RECEPTACLE	15	61	62	15	GF T-SLOT RECEPTACLE
COMPUTER WORKSTATION RECEPTACLE	15	63	64	15	SPARE
COMPUTER WORKSTATION RECEPTACLE	15	65	66	15	SPARE
COMPUTER WORKSTATION RECEPTACLE	15	67	68	15	SPARE
COMPUTER WORKSTATION RECEPTACLE	15	69	70	15	SPARE
COMPUTER WORKSTATION RECEPTACLE	15	71	72	30	DWH-1 #10 WIRE
COMPUTER WORKSTATION RECEPTACLE	15	73	74	15	SC RECEPTACLE
COMPUTER WORKSTATION RECEPTACLE	15	75	76	20	SC RECEPTACLE
COMPUTER WORKSTATION RECEPTACLE	15	77	78	20	SC RECEPTACLE
COMPUTER WORKSTATION RECEPTACLE	15	79	80	20	SC RECEPTACLE
COMPUTER WORKSTATION RECEPTACLE	15	81	82	15	CRAWLSPACE RECEPTACLES
COMPUTER WORKSTATION RECEPTACLE	15	83	84	15	MOTORIZED DAMPER
SPARE	15	85	86	-	SPACE
SPARE	15	87	88	-	SPACE
SPARE	15	89	90	-	SPACE
SPARE	15	91	92	-	SPACE
SPARE	15	93	94	-	SPACE
SPARE	15	95	96	-	SPACE
SPARE	15	97	98	-	SPACE
SPARE	15	99	100	-	SPACE
SPARE	15	101	102	-	SPACE
SPARE	15	103	104	-	SPACE
SPARE	15	105	106	-	SPACE
SPARE	15	107	108	-	SPACE
SPARE	15	109	110	-	SPACE
SPARE	15	111	112	-	SPACE
SPARE	15	113	114	-	SPACE
SPARE	15	115	116	-	SPACE
BHC-1 #10 WIRE	30	117	118	15	FIRE ALARM PANEL
		119	120	15	TELEPHONE/CATV PANEL

PANEL 'B'					
200A-120/208V-3PH-4W					
RECESSED IN PROGRAM ROOM STORAGE 114					
DESCRIPTION	CIRCUIT BREAKER	PHASE A B C	CIRCUIT BREAKER	DESCRIPTION	
COMPUTER WORKSTATION RECEPTACLE	15	1	2	40	RTU-3 #8 WIRE
COMPUTER WORKSTATION RECEPTACLE	15	3	4	40	RTU-3 #8 WIRE
COMPUTER WORKSTATION RECEPTACLE	15	5	6	40	RTU-3 #8 WIRE
COMPUTER WORKSTATION RECEPTACLE	15	7	8	20	GF T-SLOT RECEPTACLE
SPARE	15	9	10	15	SC RECEPTACLE
RECEPTACLES	15	11	12	15	EF-1
RECEPTACLES	15	13	14	15	RECEPTACLES
RECEPTACLES	15	15	16	15	RECEPTACLES
RECEPTACLES	15	17	18	15	RECEPTACLES
RECEPTACLES	15	19	20	15	RECEPTACLES
RECEPTACLES	15	21	22	15	RECEPTACLES
SPARE	15	23	24	15	PROJECTOR
MONITOR	15	25	26	15	SPARE
SPARE	15	27	28	20	HAND DRYER
SPARE	15	29	30	20	HAND DRYER
SPARE	15	31	32	15	SPARE
COMPUTER WORKSTATION RECEPTACLE	15	33	34	20	HAND DRYER
COMPUTER WORKSTATION RECEPTACLE	15	35	36	-	SPACE
COMPUTER WORKSTATION RECEPTACLE	15	37	38	-	SPACE
COMPUTER WORKSTATION RECEPTACLE	15	39	40	15	ASSISTED LISTENING SYSTEM
COMPUTER WORKSTATION RECEPTACLE	15	41	42	15	LIVING WALL - IRRIGATION SYSTEM
COMPUTER WORKSTATION RECEPTACLE	15	43	44	15	SPARE
COMPUTER WORKSTATION RECEPTACLE	15	45	46	15	LIVING WALL - GF RECEPTACLE
COMPUTER WORKSTATION RECEPTACLE	15	47	48	15	LIVING WALL - GF RECEPTACLE
BARRIER FREE DOOR OPERATOR	15	49	50	15	BARRIER FREE DOOR OPERATOR
SPACE	-	51	52	15	BARRIER FREE DOOR OPERATOR
SPACE	-	53	54	15	RECEPTACLES
SPACE	-	55	56	15	EXTERIOR RECEPTACLE
SPACE	-	57	58	15	EXTERIOR RECEPTACLE
SPACE	-	59	60	15	SPARE
SPACE	-	61	62	15	SPARE
SPACE	-	63	64	15	SPARE
SPACE	-	65	66	15	SPARE
SPACE	-	67	68	15	SPARE
SPACE	-	69	70	15	SPARE
SPACE	-	71	72	15	SPARE
SPACE	-	73	74	15	SPARE
SPACE	-	75	76	15	SPARE
SPACE	-	77	78	15	SPARE
DWH-2 #10 WIRE	30	79	80	15	CRAWLSPACE RECEPTACLES
		81	82	20	SP-2A/B
		83	84	15	MOTORIZED DAMPER

GENERAL ELECTRICAL NOTES

- DRAWINGS TO BE READ IN CONJUNCTION WITH PROGRAM OF REQUIREMENTS.
- ADHERE TO 2015 CITY OF WINNIPEG ACCESSIBILITY DESIGN STANDARDS (3RD EDITION).



No.	DATE	REVISION /ISSUANCE
1	2017.02.17	ISSUED FOR CONSTRUCTION



CGM 2-472 STRADBROOK AVENUE
WINNIPEG, MB R3L 0J9
(204) 272-3255
ENGINEERING LTD. JOB: 161126

Cibinel Architecture Ltd
560 ACADEMY ROAD WINNIPEG, MB R3L 0E3
T. 204 989 8910 F. 204 989 8920



Project
TRANSCONA LIBRARY
1500 PLESSIS ROAD, WINNIPEG, MB

Sheet Title
ELECTRICAL SINGLE LINE RISER

Sheet No. 1487
Sheet **E-100**